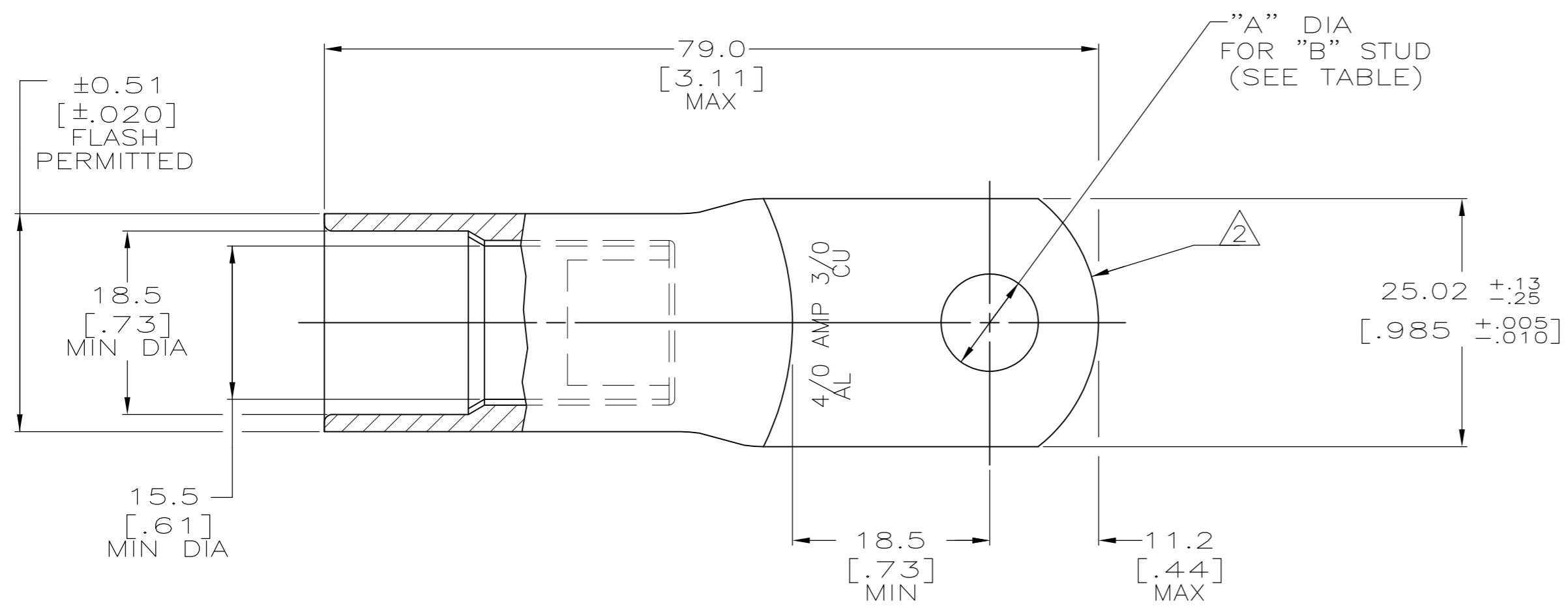
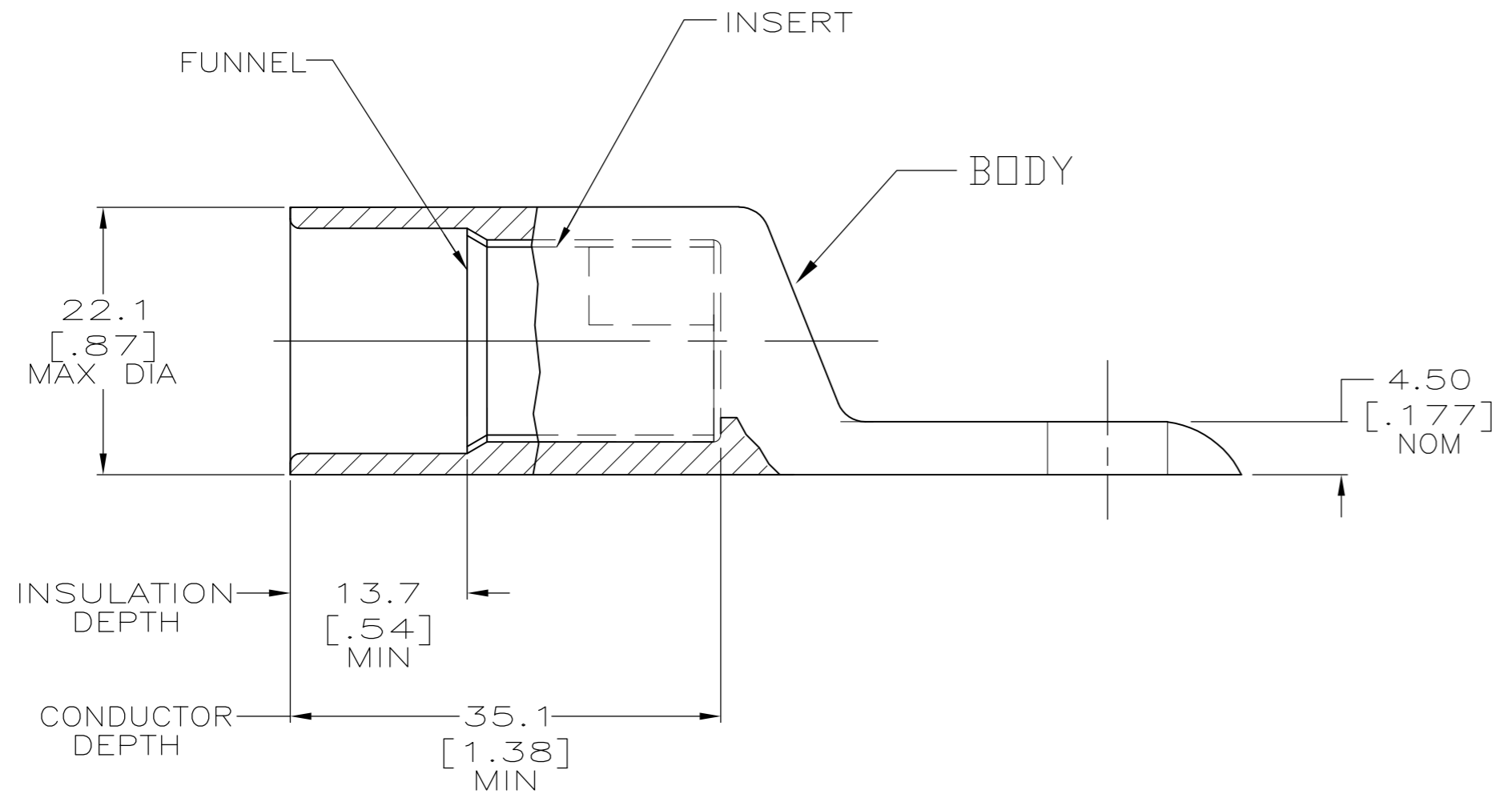


THIS DRAWING IS UNPUBLISHED. RELEASED FOR PUBLICATION
 © COPYRIGHT BY TYCO ELECTRONICS CORPORATION. ALL INTERNATIONAL RIGHTS RESERVED.

LOC	DIST	REVISIONS			
P	LTR	DESCRIPTION	DATE	DWN	APVD
G	86	REVISED PER ECO-09-012378	06JUN09	CT	JW



- 1 WIRE INSULATION: 14.98[.590] - 17.27[.680] DIA
- 2 THE TONGUE RADIUS FEATURE IS NOT A TOOLING CONTROLLED DIMENSION AND MAY NOT BE A TRUE RADIUS.



"B" STUD	"A" DIA	MATERIAL & FINISH	PART NO
5/16	8.33±0.13 DIA [.328±.005]	BODY: COPPER ASTM-B187 ANNEALED TIN PL 0.00381[.000150] MIN THK PER MIL-T-10727 INSERT & FUNNEL: BRASS ASTM B36 NICKEL PL SAE AMS QQ-N-290A, DATED JULY 2000, 0.00254 [.000100] MIN THK	55995-2
3/8	9.91±0.13 DIA [.390±.005]	BODY: COPPER ASTM-B187 ANNEALED TIN PL 0.00381[.000150] MIN THK PER MIL-T-10727 INSERT & FUNNEL: BRASS ASTM B36 NICKEL PL SAE AMS QQ-N-290A, DATED JULY 2000, 0.00254 [.000100] MIN THK	55995-1

THIS DRAWING IS A CONTROLLED DOCUMENT.		DWN jr ruth 27FEB08	Tyco Electronics Corporation Harrisburg, Pa 17105-3608	
DIMENSIONS: MM [INCHES]		CHK WJ VOCKROTH 08FEB09	NAME JL MECKLEY 08FEB95	
TOLERANCES UNLESS OTHERWISE SPECIFIED: 0 PLC ± - 1 PLC ± - 2 PLC ± - 3 PLC ± .005 4 PLC ± - ANGLES ± 5°		PRODUCT SPEC 108-11011	TERMINAL, RING TONGUE, SEALED COPALUM, 106.95mm2 [4/0] ALUMINUM 86.30mm2 [3/0] COPPER	
MATERIAL SEE TABLE		FINISH SEE TABLE	APPLICATION SPEC 114-2134	RESTRICTED TO -
		WEIGHT 100 GRAMS	SIZE A2	CAGE CODE 00779
		CUSTOMER DRAWING	SCALE 2:1	SHEET 1 of 1
			DRAWING NO C=55995	REV G

55995