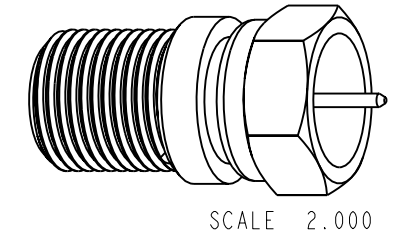
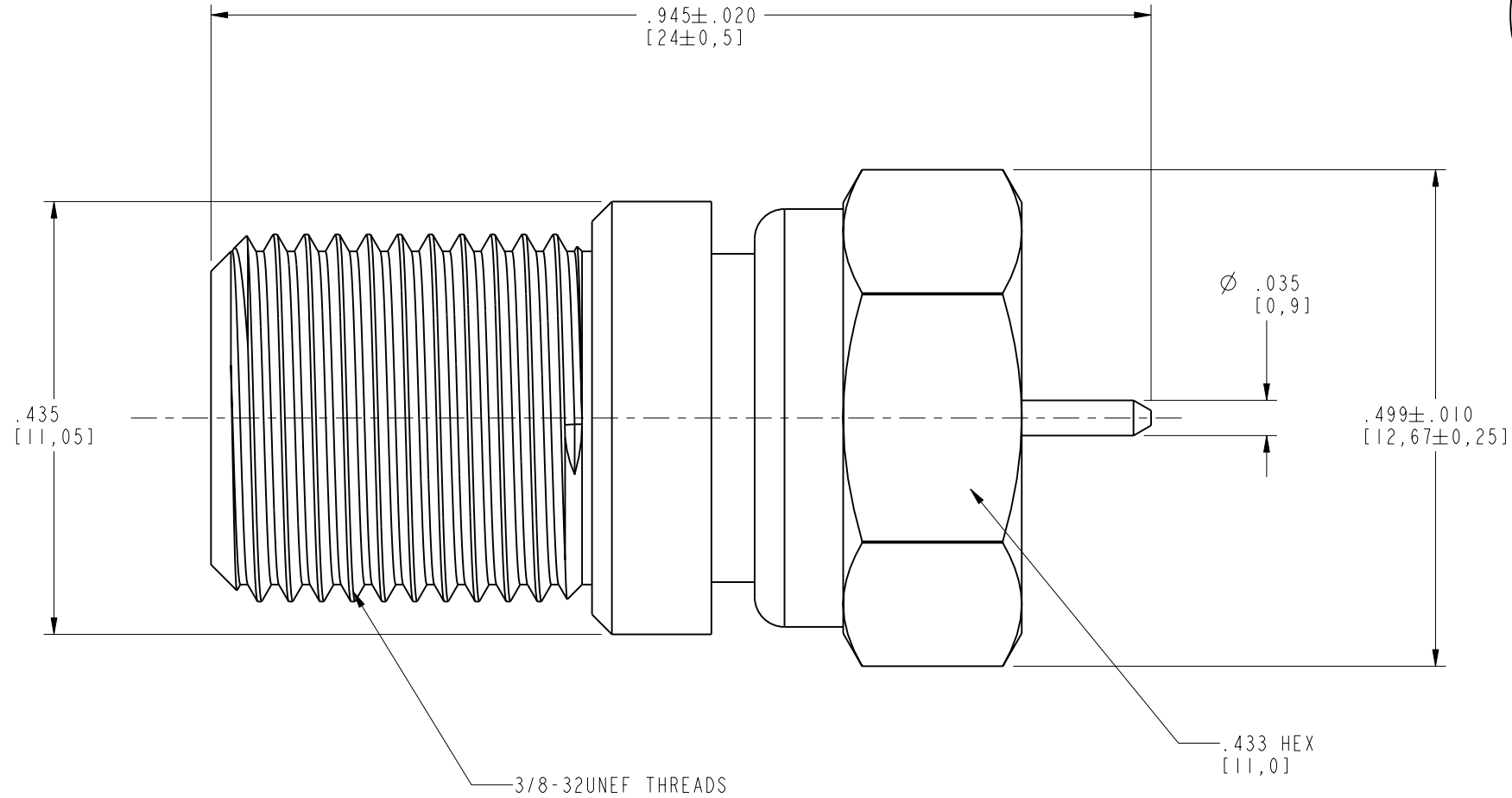


NOTES:

1. MATERIALS OF CONSTRUCTION:
 BODY = BRASS, NICKEL PLATED
 CONTACT = COPPER ALLOY, NICKEL PLATED
 INSULATOR = POLYPROPELENE
2. ELECTRICAL:
 IMPEDANCE: 75 OHMS
 FREQUENCY: DC-1 GHz
 RETURN LOSS: 19 dB MIN DC-500 MHz
 13 dB MIN DC-1GHz
3. MECHANICAL:
 A. CENTER CONTACT TO ACCEPT \varnothing .022 TO \varnothing .042 PIN.
 B. TEMPERATURE RANGE: 40° C TO 85° C
4. PACKAGING:
 A. QUANTITY: SINGLE PACK
 B. MARKING: BAG TO BE MARKED
 "AMPHENOL, 531-40148, AND DATE CODE"

531-40148		REVISIONS			
DRAWING NO.	REV	DESCRIPTION	DATE	ECO	APPR
THIRD ANGLE PROJ.	A	RELEASE TO MFG.	1/24/03	44337	CPM
	B	SEE SHEET 1	3/27/03	44416	CPM



CUSTOMER OUTLINE DRAWING
 ALL OTHER SHEETS ARE FOR INTERNAL USE ONLY

UNLESS OTHERWISE SPECIFIED, DIMENSIONS ARE IN INCHES AND TOLERANCES ARE: 2 PLACE DECIMAL 3 PLACE DECIMAL ANGLES $\pm .015$ (0,381 mm) $\pm .005$ (0,127 mm) $\pm 1^\circ$	MATERIAL	DRAWN C. McGRATH	DATE 27-Sep-02	TITLE F MALE TO F FEMALE	Amphenol Amphenol Corporation Communication and Network Products Division Danbury, CT U.S.A. 06810			
	REFERENCE EAR 771 GEN# 611X-1103-100_ASSY 611X-1103-100	ENGINEER O. BARTHELMES	DATE 27-Sep-02			APPROVED O. BARTHELMES	DATE 1/24/03	
NOTICE - These drawings, specifications, or other data (1) are, and remain the property of Amphenol Corp. (2) must be returned upon request; and (3) are confidential and not to be disclosed to any person other than those to whom they are given by Amphenol Corp. The furnishing of these drawings, specifications, or other data by Amphenol Corp., or to any other person to anyone for any purpose is not to be regarded by implication or otherwise in any manner licensing, granting rights or permitting such holder or any other person to manufacture, use or sell any product, process or design, patented or otherwise, that may in any way be related to or disclosed by said drawings, specifications, or other data.		CAD FILE I:\531-40148	CODE ID 74868	DWG SIZE B	DRAWING NO. 531-40148	SCALE: 6.0:1	SHEET 2 OF 2	REV B