

Model No: GBS-85N25PR01-04
 Product Line: Tymphany

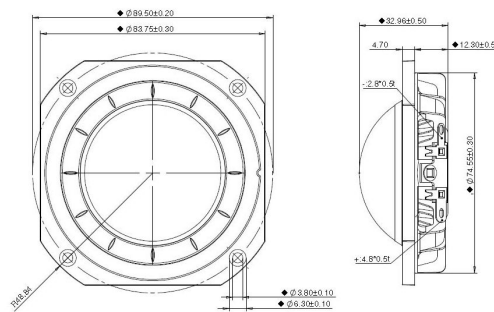
Rev: 1
 Last Update: 2017-04-21 12:39:42

Product Description

This 3.5 inch 4 ohm transducer member of the GBS family provides a very slim woofer capable of large excursion. A highly optimized neodymium magnet and unique suspension layout combine to give a cost effective solution in a previously unavailable package.



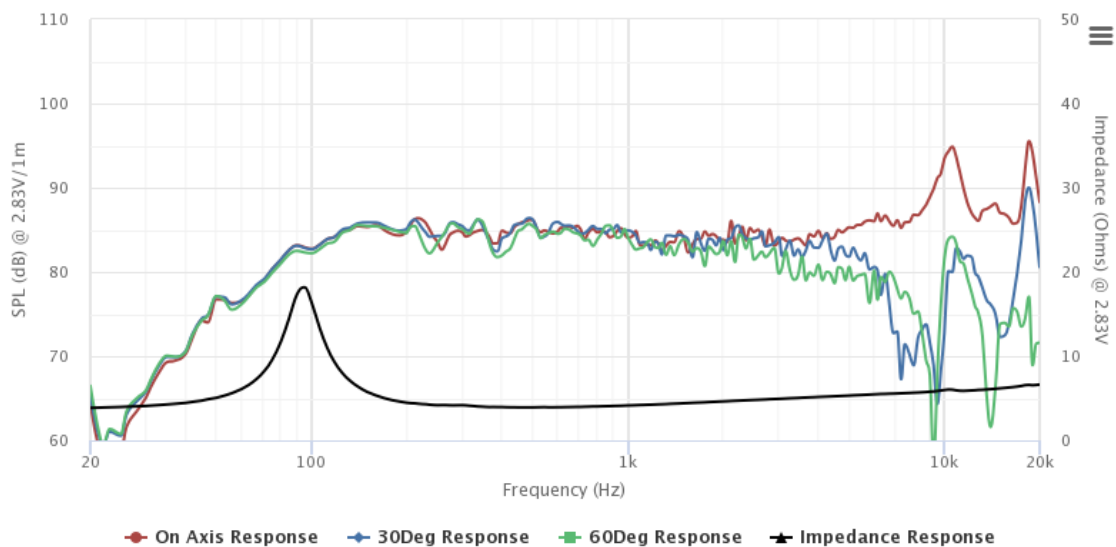
Mechanical Drawing



Specifications

DC Resistance	Revc	Ohms	3.15	5.0%	Energy Bandwidth Product	EBP	(1/Qes)*fs
Minimum Impedance	Zmin	Ohms	3.92	7.5%	Moving Mass	Mms	g
Voice Coil Inductance	Le	mH	0.03		Suspension Compliance	Cms	um/N
Resonant Frequency	Fs	Hz	93.85	15%	Effective Cone diameter	D	cm
Mechanical Q Factor	Qms		3.31		Effective Piston Area	Sd	cm ²
Electrical Q Factor	Qes		0.86		Effective Volume	Vas	L
Total Q Factor	Qts		0.68		Motor Force Factor	BL	Tm
Ratio Fs/Qts	F	Fs/Qts	138.01		Motor Efficiency Factor	β	(T*M ²)/Ohms
Half Space Sensitivity @2.83V	db@2.83V/1M	dB	85.65	+/- 1.0db	Voice coil former Material	VCfm	ASV
Half Space Sensitivity @1W/1M	db@1W/1M	dB	82.5	+/- 1.0db	Voice coil inner diameter	Vcd	mm
Gap Height	Gh	mm	3		Rated Noise Power	P	W
Maximum Linear Excursion	Xmax	mm	2.1		Test Spectrum Bandwidth		250~20KHz
Ferrofluid Type	FF				Driver Size	Inch	3.5 in
Driver Mass	Kg		0.12				

Frequency and Impedance Response



Highcharts.com