

.56 [14.3] DIA. HOLE
4 PLACES ON BOTTOM
FLANGES FOR CUSTOMER
MOUNTING

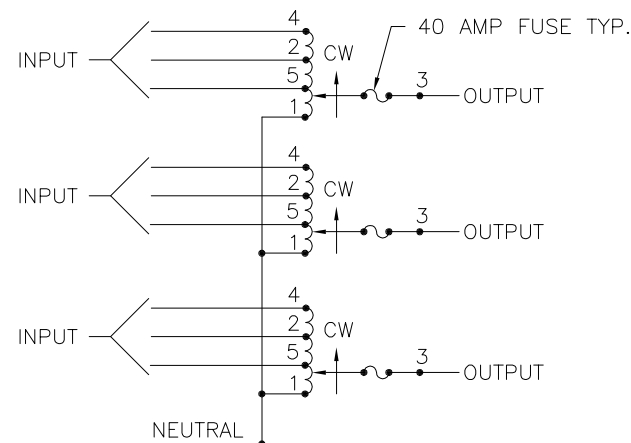
CONTROLS:

MICROTERMINAL: THE TERMINAL IS PROVIDED FOR LOCAL CONTROL OF THE UNIT WITH AN LCD DISPLAY FOR OUTPUT VOLTAGE READINGS. SEE THE MP USER'S HANDBOOK (FORM #003-1622) FOR DETAILED INFORMATION.

CONTROLLER ON/OFF SWITCH: THIS SWITCH TURNS OFF POWER TO THE MICROPROCESSOR CONTROLLER ONLY.

MOTOR ON/OFF SWITCH: THIS SWITCH TURNS OFF POWER FROM THE MICROPROCESSOR TO EACH OF THE AUTOTRANSFORMER MOTORS.

RAISE/LOWER SWITCHES: THESE SWITCHES ARE LOCATED INTERNALLY AND ARE ACCESSIBLE FROM THE FRONT VIA THE REMOVABLE ACCESS PANEL. THE SWITCHES ALLOW FOR EACH PHASE OF THE REGULATOR TO BE MANUALLY CONTROLLED INDIVIDUALLY.



SCHMATIC

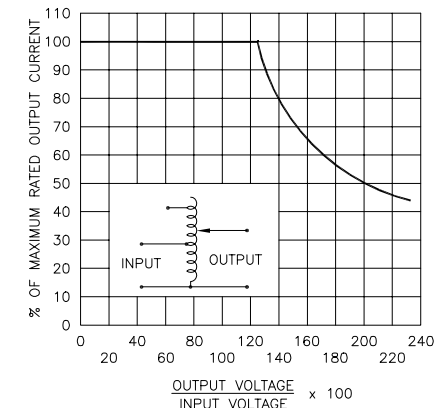
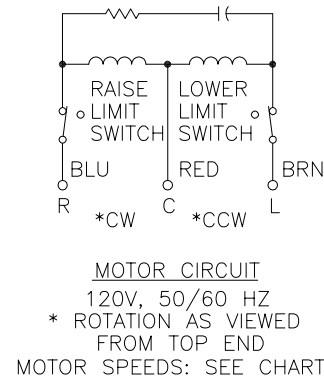
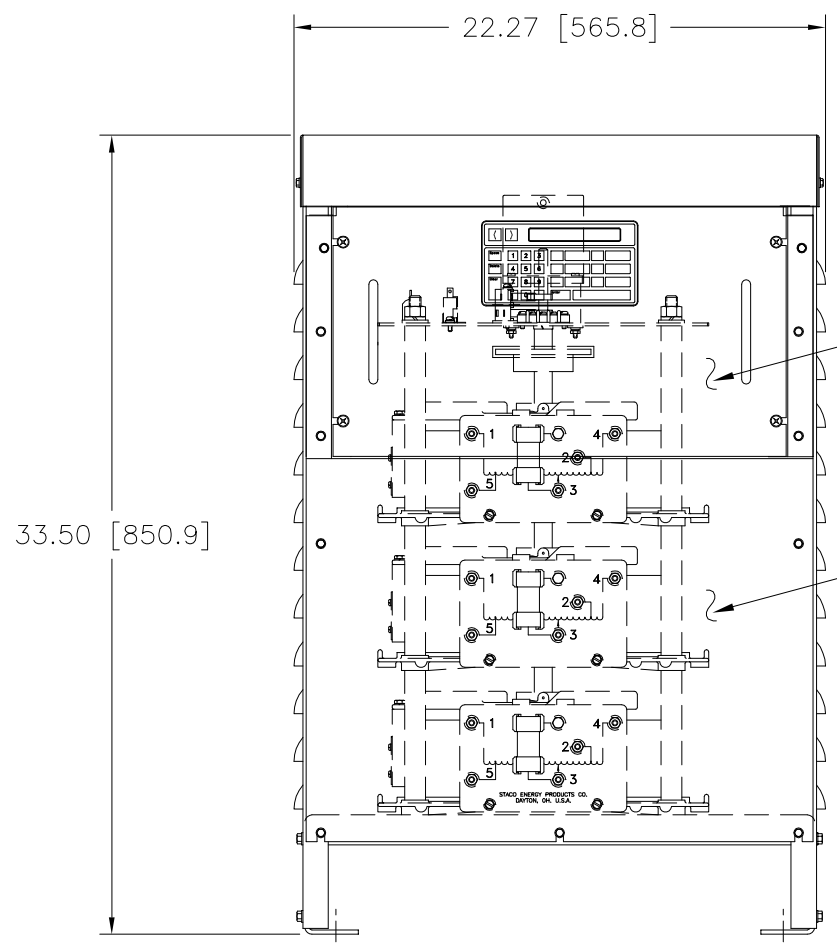


FIGURE A
MAXIMUM OUTPUT CURRENT OF ANY DUAL INPUT VOLTAGE OR VOLTAGE DOUBLER UNIT OPERATED AT LOWER INPUT VOLTAGE.

MAXIMUM OUTPUT CURRENT IN OUTPUT VOLTAGE RANGE FROM 0 TO 25% ABOVE LINE VOLTAGE. AT HIGHER OUTPUT VOLTAGES, OUTPUT CURRENT MUST BE REDUCED ACCORDING TO RATING CURVE, FIGURE A.

++ MAXIMUM KVA AT MAXIMUM OUTPUT AND CORRESPONDING DE-RATED CURRENT. MAXIMUM KVA AT LOWER OUTPUT VOLTAGES MAY BE CALCULATED FROM RATING CURVE, FIGURE A.

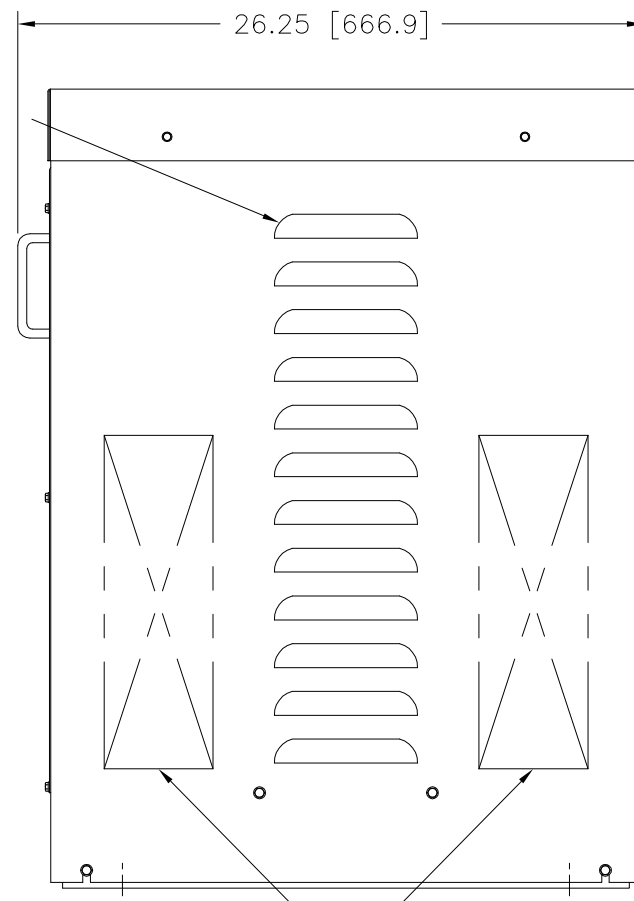
V.D. = VOLTAGE DOUBLER.



LOUVER VENTS
BOTH SIDES

SEE SHEET #2
FOR PANEL DETAILS

ACCESS PANEL TO
FUSES & TERMINALS



RECOMMENDED AREAS
FOR CONDUIT ENTRY

SPEED (SECONDS)	MODEL NUMBER
5	MV5M6020E-3Y
15	MV15M6020E-3Y
30	MV30M6020E-3Y
60	MV60M6020E-3Y

WIRING	INPUT		OUTPUT			SHAFT ROTATION FOR VOLTAGE INCREASE	TERMINAL CONNECTIONS FOR INCREASING VOLTAGE AS VIEWED FROM TOP	
	VOLTS	HERTZ	VOLTS	CONSTANT CURRENT LOAD			INPUT	OUTPUT
				MAX. AMPS	MAX. KVA			
THREE PHASE WYE	480	50/60	0-480	35	29.1	CW	4-4-4	3-3-3
		60	0-560	35	33.9	CW	2-2-2	3-3-3
	240	60	0-560	35-15 V.D.	14.5 ++	CW	5-5-5	3-3-3

UNLESS OTHERWISE SPECIFIED, TOLERANCE IS # DECIMALS HOLES ANGLES DRAFT UNITS IN [mm] XX .0005 12 .0008 .03 1° 1-1/2°

TITLE: SPEC. CONTROL DRAWING MOTORIZED VARIABLE XFMR. MVM6020E-3Y



DRAWN BY	DATE	FIRST USED ON	DO NOT SCALE DWG.	CUSTOMER APPROVAL	DATE
TIM RAU	3/7/97				
CHECKER	DATE	WEIGHT APPROX.	CODE IDENT. NO. 83008	DWG. NO.	DWG. NO.
ENGINEER	DATE	SCALE .25=1	SHEET 1 OF 2	D	032-8292

The information and design disclosed herein was originated by and is the property of STACO ENERGY PRODUCTS CO., which reserves all patent, proprietary, design, manufacturing, reproduction, use and sale rights thereto, and to any article disclosed therein except to the extent rights are expressly granted to others. The foregoing does not apply to vendor proprietary parts.