

### General Description

The ICS843312 is a high frequency clock generator. The ICS843312 uses an external 25MHz crystal to synthesize 312.5MHz and 125MHz clocks. The ICS843312 has excellent RMS period jitter performance.

The ICS843312 operates at full 3.3V and 2.5V, or mixed 3.3V/2.5V supply modes and is available in a fully RoHS compliant 32-lead VFQFN package.

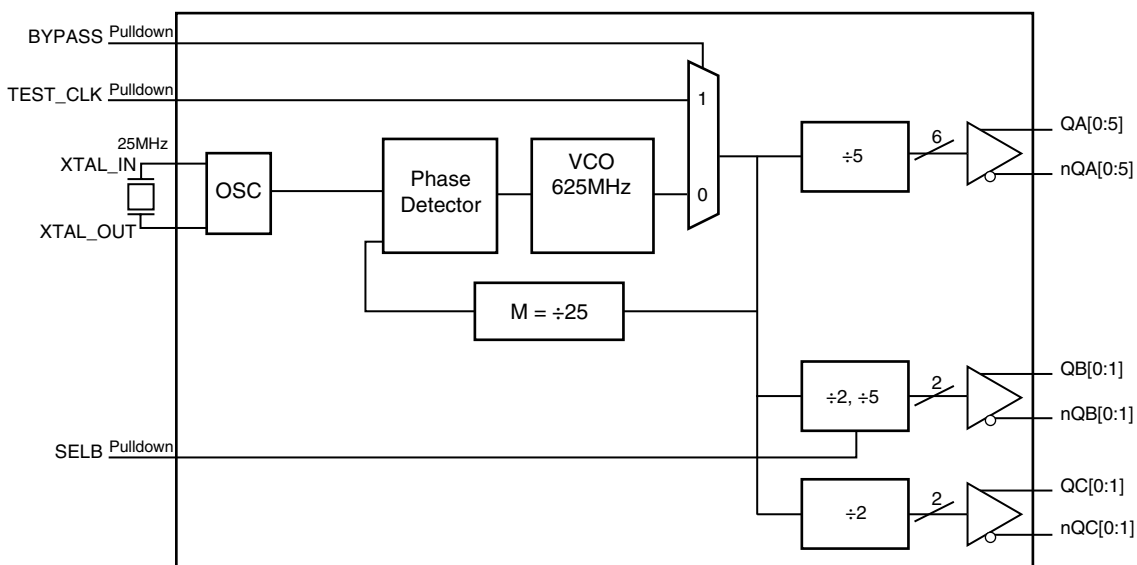
### Features

- Ten differential LVPECL outputs for 312.5MHz and 125MHz
- Crystal oscillator interface designed for 18pF, 25MHz parallel resonant crystal
- RMS phase jitter at 125MHz (1.875MHz - 20MHz): 0.45ps (typical)
- RMS phase jitter at 312.5MHz (1.875MHz - 20MHz): 0.31ps (typical)
- Output duty cycle: 45% – 55%, at 125MHz
- Full 3.3V and 2.5V, or mixed 3.3V/2.5V supply modes
- 0°C to 70°C ambient operating temperature
- Available in lead-free (RoHS 6) package

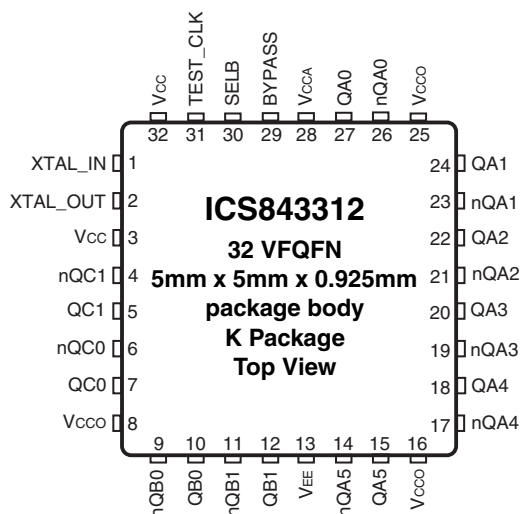
### Output Frequency Table

| Crystal Frequency (MHz) | Feedback Divider | VCO Frequency (MHz) | Output Divider | Output Frequency (MHz) |
|-------------------------|------------------|---------------------|----------------|------------------------|
| 25                      | 25               | 625                 | ÷2             | 312.5                  |
| 25                      | 25               | 625                 | ÷5             | 125                    |

### Block Diagram



### Pin Assignment



**Table 1. Pin Descriptions**

| Number    | Name                | Type   |          | Description   |
|-----------|---------------------|--------|----------|---|
| 1, 2      | XTAL_IN<br>XTAL_OUT | Input  |          | Crystal oscillator interface. XTAL_IN is the input, XTAL_OUT is the output.   |
| 3, 32     | V <sub>CC</sub>     | Power  |          | Core supply pins.   |
| 4, 5      | nQC1/QC1            | Output |          | Differential output pair. LVPECL interface levels.  |
| 6, 7      | nQC0/QC0            | Output |          | Differential output pair. LVPECL interface levels.  |
| 8, 16, 25 | V <sub>CCO</sub>    | Power  |          | Output supply pins.   |
| 9, 10     | nQB0/QB0            | Output |          | Differential output pair. LVPECL interface levels.  |
| 11, 12    | nQB1/QB1            | Output |          | Differential output pair. LVPECL interface levels.  |
| 13        | V <sub>EE</sub>     | Power  |          | Negative supply pin.  |
| 14, 15    | nQA5/QA5            | Output |          | Differential output pair. LVPECL interface levels.  |
| 17, 18    | nQA4/QA4            | Output |          | Differential output pair. LVPECL interface levels.  |
| 19, 20    | nQA3/QA3            | Output |          | Differential output pair. LVPECL interface levels.  |
| 21, 22    | nQA2/QA2            | Output |          | Differential output pair. LVPECL interface levels.  |
| 23, 24    | nQA1/QA1            | Output |          | Differential output pair. LVPECL interface levels.  |
| 26, 27    | nQA0/QA0            | Output |          | Differential output pair. LVPECL interface levels.  |
| 28        | V <sub>CCA</sub>    | Power  |          | Analog supply pin.  |
| 29        | BYPASS              | Input  | Pulldown | A HIGH on BYPASS signal allows TEST_CLK to propagate to output dividers and bypass the PLL. a LOW on BYPASS signal allows VCO frequency to propagate to the output dividers. See Table 3B. LVCMOS/LVTTL interface levels. |
| 30        | SELB                | Input  | Pulldown | Selects the output divider value. See Table 3A. LVCMOS/LVTTL interface levels.  |
| 31        | TEST_CLK            | Input  | Pulldown | Single-ended input test clock. LVCMOS/LVTTL interface levels.   |

NOTE: *Pulldown* refers to internal input resistors. See Table 2, *Pin Characteristics*, for typical values.

**Table 2. Pin Characteristics**

| Symbol                | Parameter               | Test Conditions | Minimum | Typical | Maximum | Units |
|-----------------------|-------------------------|-----------------|---------|---------|---------|-------|
| C <sub>IN</sub>       | Input Capacitance       |                 |         | 4       |         | pF    |
| R <sub>PULLDOWN</sub> | Input Pulldown Resistor |                 |         | 51      |         | kΩ    |

**Function Tables****Table 3A. SELB Function Table**

| Input | Bank B Output Divider |
|-------|-----------------------|
| SELB  |                       |
| 0     | ÷5                    |
| 1     | ÷2                    |

**Table 3B. Bypass Function Table**

| Input  | Device Configuration |
|--------|----------------------|
| BYPASS |                      |
| 0      | PLL Mode             |
| 1      | Bypass the PLL       |

## Absolute Maximum Ratings

NOTE: Stresses beyond those listed under *Absolute Maximum Ratings* may cause permanent damage to the device. These ratings are stress specifications only. Functional operation of product at these conditions or any conditions beyond those listed in the *DC Characteristics* or *AC Characteristics* is not implied. Exposure to absolute maximum rating conditions for extended periods may affect product reliability.

| Item  | Rating                   |
|---|--------------------------|
| Supply Voltage, $V_{CC}$                              | 4.6V                     |
| Inputs, $V_I$   | -0.5V to $V_{CC} + 0.5V$ |
| Outputs, $I_O$<br>Continuous Current<br>Surge Current | 50mA<br>100mA            |
| Package Thermal Impedance, $\theta_{JA}$              | 37°C/W (0 mps)           |
| Storage Temperature, $T_{STG}$                        | -65°C to 150°C           |

## DC Electrical Characteristics

**Table 4A. Power Supply DC Characteristics,  $V_{CC} = V_{CCO} = 3.3V \pm 5\%$ ,  $V_{EE} = 0V$ ,  $T_A = 0^\circ C$  to  $70^\circ C$**

| Symbol    | Parameter             | Test Conditions | Minimum         | Typical | Maximum  | Units |
|-----------|-----------------------|-----------------|-----------------|---------|----------|-------|
| $V_{CC}$  | Core Supply Voltage   |                 | 3.135           | 3.3     | 3.465    | V     |
| $V_{CCA}$ | Analog Supply Voltage |                 | $V_{CC} - 0.33$ | 3.3     | $V_{CC}$ | V     |
| $V_{CCO}$ | Output Supply Voltage |                 | 3.135           | 3.3     | 3.465    | V     |
| $I_{EE}$  | Power Supply Current  |                 |                 |         | 179      | mA    |
| $I_{CCA}$ | Analog Supply Current |                 |                 |         | 33       | mA    |

**Table 4B. Power Supply DC Characteristics,  $V_{CC} = V_{CCO} = 2.5V \pm 5\%$ ,  $V_{EE} = 0V$ ,  $T_A = 0^\circ C$  to  $70^\circ C$**

| Symbol    | Parameter             | Test Conditions | Minimum         | Typical | Maximum  | Units |
|-----------|-----------------------|-----------------|-----------------|---------|----------|-------|
| $V_{CC}$  | Core Supply Voltage   |                 | 2.375           | 2.5     | 2.625    | V     |
| $V_{CCA}$ | Analog Supply Voltage |                 | $V_{CC} - 0.23$ | 2.5     | $V_{CC}$ | V     |
| $V_{CCO}$ | Output Supply Voltage |                 | 2.375           | 2.5     | 2.625    | V     |
| $I_{EE}$  | Power Supply Current  |                 |                 |         | 168      | mA    |
| $I_{CCA}$ | Analog Supply Current |                 |                 |         | 23       | mA    |

**Table 4C. Power Supply DC Characteristics,  $V_{CC} = 3.3V \pm 5\%$ ,  $V_{CCO} = 2.5V \pm 5\%$ ,  $V_{EE} = 0V$ ,  $T_A = 0^\circ C$  to  $70^\circ C$**

| Symbol    | Parameter             | Test Conditions | Minimum         | Typical | Maximum  | Units |
|-----------|-----------------------|-----------------|-----------------|---------|----------|-------|
| $V_{CC}$  | Core Supply Voltage   |                 | 3.135           | 3.3     | 3.465    | V     |
| $V_{CCA}$ | Analog Supply Voltage |                 | $V_{CC} - 0.33$ | 3.3     | $V_{CC}$ | V     |
| $V_{CCO}$ | Output Supply Voltage |                 | 2.375           | 2.5     | 2.625    | V     |
| $I_{EE}$  | Power Supply Current  |                 |                 |         | 164      | mA    |
| $I_{CCA}$ | Analog Supply Current |                 |                 |         | 33       | mA    |

**Table 4D. LVCMOS/LVTTL DC Characteristics,  $T_A = 0^\circ\text{C}$  to  $70^\circ\text{C}$** 

| Symbol   | Parameter          | Test Conditions  | Minimum | Typical | Maximum        | Units         |
|----------|--------------------|--|---------|---------|----------------|---------------|
| $V_{IH}$ | Input High Voltage | $V_{CC} = 3.3\text{V}$   | 2       |         | $V_{CC} + 0.3$ | V             |
|          |                    | $V_{CC} = 2.5\text{V}$   | 1.7     |         | $V_{CC} + 0.3$ | V             |
| $V_{IL}$ | Input Low Voltage  | $V_{CC} = 3.3\text{V}$   | -0.3    |         | 0.8            | V             |
|          |                    | $V_{CC} = 2.5\text{V}$   | -0.3    |         | 0.7            | V             |
| $I_{IH}$ | Input High Current | TEST_CLK, BYPASS, SELB<br>$V_{CC} = V_{IN} = 3.465\text{V}$ or $2.625\text{V}$               |         |         | 150            | $\mu\text{A}$ |
| $I_{IL}$ | Input Low Current  | TEST_CLK, BYPASS, SELB<br>$V_{CC} = 3.465\text{V}$ or $2.625\text{V}$ , $V_{IN} = 0\text{V}$ | -5      |         |                | $\mu\text{A}$ |

**Table 4E. LVPECL DC Characteristics,  $V_{CC} = V_{CCO} = 3.3\text{V} \pm 5\%$ ,  $V_{EE} = 0\text{V}$ ,  $T_A = 0^\circ\text{C}$  to  $70^\circ\text{C}$** 

| Symbol      | Parameter                         | Test Conditions | Minimum         | Typical | Maximum         | Units |
|-------------|-----------------------------------|-----------------|-----------------|---------|-----------------|-------|
| $V_{OH}$    | Output High Voltage               |                 | $V_{CCO} - 1.4$ |         | $V_{CCO} - 0.9$ | V     |
| $V_{OL}$    | Output Low Voltage                |                 | $V_{CCO} - 2.0$ |         | $V_{CCO} - 1.7$ | V     |
| $V_{SWING}$ | Peak-to-Peak Output Voltage Swing |                 | 0.6             |         | 1.0             | V     |

**Table 4F. LVPECL DC Characteristics,  $V_{CC} = 3.3\text{V} \pm 5\%$  or  $2.5\text{V} \pm 5\%$ ,  $V_{CCO} = 2.5\text{V} \pm 5\%$ ,  $V_{EE} = 0\text{V}$ ,  $T_A = 0^\circ\text{C}$  to  $70^\circ\text{C}$** 

| Symbol      | Parameter                         | Test Conditions | Minimum        | Typical | Maximum        | Units |
|-------------|-----------------------------------|-----------------|----------------|---------|----------------|-------|
| $V_{OH}$    | Output High Voltage               |                 | $V_{CC} - 1.4$ |         | $V_{CC} - 0.9$ | V     |
| $V_{OL}$    | Output Low Voltage                |                 | $V_{CC} - 2.0$ |         | $V_{CC} - 1.5$ | V     |
| $V_{SWING}$ | Peak-to-Peak Output Voltage Swing |                 | 0.4            |         | 1.0            | V     |

**Table 5. Crystal Characteristics**

| Parameter                          | Test Conditions | Minimum     | Typical | Maximum | Units    |
|------------------------------------|-----------------|-------------|---------|---------|----------|
| Mode of Oscillation                |                 | Fundamental |         |         |          |
| Frequency                          |                 |             | 25      |         | MHz      |
| Equivalent Series Resistance (ESR) |                 |             |         | 50      | $\Omega$ |
| Shunt Capacitance                  |                 |             |         | 7       | pF       |

## AC Electrical Characteristics

**Table 6A. AC Characteristics,  $V_{CC} = V_{CCO} = 3.3V \pm 5\%$ ,  $V_{EE} = 0V$ ,  $T_A = 0^\circ C$  to  $70^\circ C$**

| Symbol               | Parameter                             | Test Conditions                                  | Minimum | Typical | Maximum | Units |
|----------------------|---------------------------------------|--|---------|---------|---------|-------|
| $f_{OUT}$            | Output Frequency                      | Output divider = $\div 2$                        |         | 312.5   |         | MHz   |
|                      |                                       | Output divider = $\div 5$                        |         | 125     |         | MHz   |
| $f_{jit}(\emptyset)$ | RMS Phase Jitter, (Random);<br>NOTE 1 | 312.5MHz,<br>Integration Range: 1.875MHz - 20MHz |         | 0.31    |         | ps    |
|                      |                                       | 125MHz,<br>Integration Range: 1.875MHz - 20MHz   |         | 0.45    |         | ps    |
| $t_R / t_F$          | Output Rise/Fall Time                 | 20% to 80%                                       | 200     |         | 700     | ps    |
| odc                  | Output Duty Cycle                     | $f_{OUT} = 125MHz$                               | 45      |         | 55      | %     |
|                      |                                       | $f_{OUT} = 312.5MHz$                             | 40      |         | 60      | %     |
| $t_{LOCK}$           | PLL Lock Time                         |  |         |         | 100     | ms    |

NOTE: Electrical parameters are guaranteed over the specified ambient operating temperature range, which is established when the device is mounted in a test socket with maintained transverse airflow greater than 500 lpm. The device will meet specifications after thermal equilibrium has been reached under these conditions.

NOTE 1: Refer to phase noise plots.

**Table 6B. AC Characteristics,  $V_{CC} = V_{CCO} = 2.5V \pm 5\%$ ,  $V_{EE} = 0V$ ,  $T_A = 0^\circ C$  to  $70^\circ C$**

| Symbol               | Parameter                  | Test Conditions                                  | Minimum | Typical | Maximum | Units |
|----------------------|----------------------------|--|---------|---------|---------|-------|
| $f_{OUT}$            | Output Frequency           | Output divider = $\div 2$                        |         | 312.5   |         | MHz   |
|                      |                            | Output divider = $\div 5$                        |         | 125     |         | MHz   |
| $f_{jit}(\emptyset)$ | RMS Phase Jitter, (Random) | 312.5MHz,<br>Integration Range: 1.875MHz - 20MHz |         | 0.45    |         | ps    |
|                      |                            | 125MHz,<br>Integration Range: 1.875MHz - 20MHz   |         | 0.55    |         | ps    |
| $t_R / t_F$          | Output Rise/Fall Time      | 20% to 80%                                       | 200     |         | 700     | ps    |
| odc                  | Output Duty Cycle          | $f_{OUT} = 125MHz$                               | 45      |         | 55      | %     |
|                      |                            | $f_{OUT} = 312.5MHz$                             | 40      |         | 60      | %     |
| $t_{LOCK}$           | PLL Lock Time              |  |         |         | 100     | ms    |

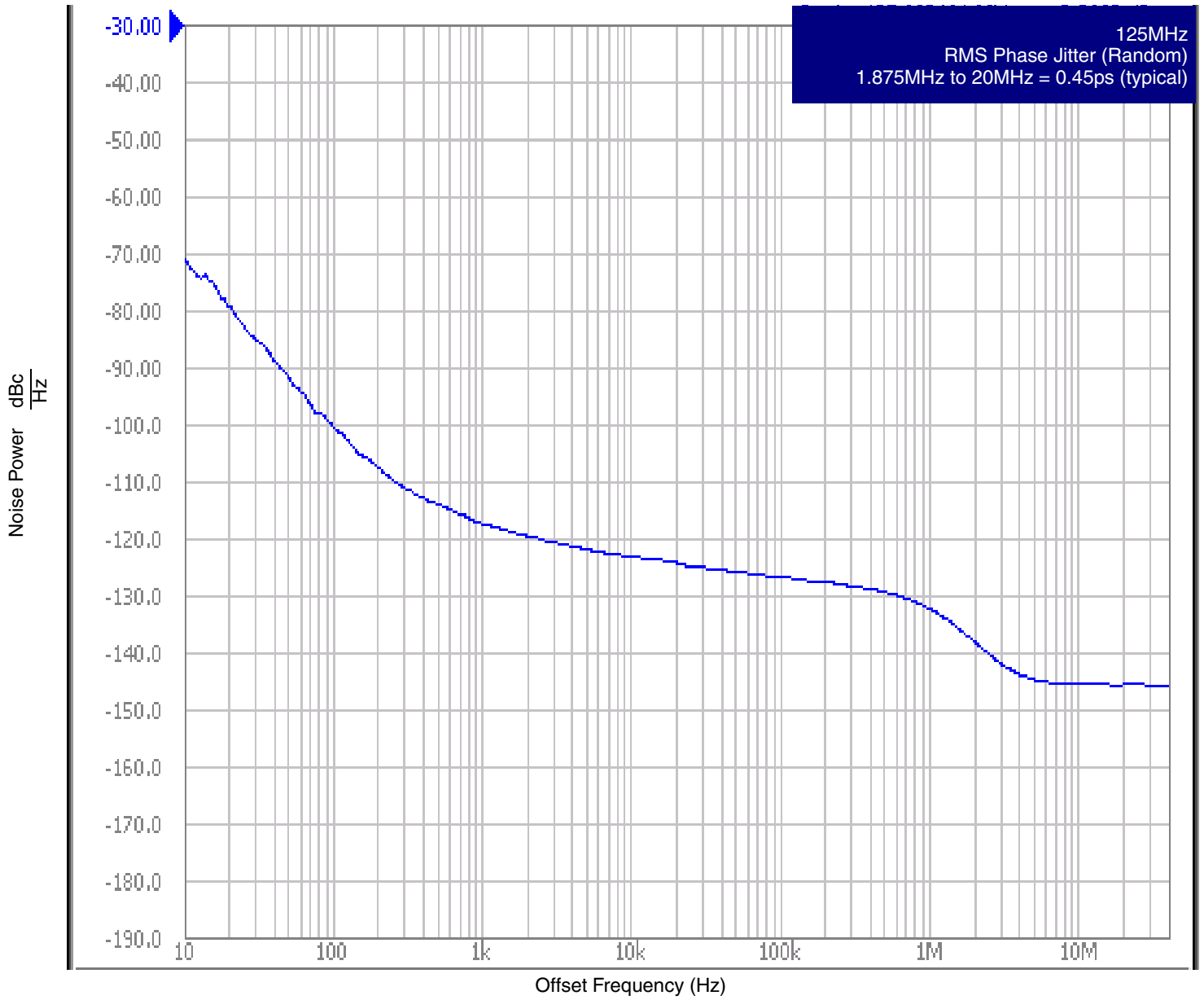
NOTE: Electrical parameters are guaranteed over the specified ambient operating temperature range, which is established when the device is mounted in a test socket with maintained transverse airflow greater than 500 lpm. The device will meet specifications after thermal equilibrium has been reached under these conditions.

**Table 6C. AC Characteristics,  $V_{CC} = 3.3V \pm 5\%$ ,  $V_{CCO} = 2.5V \pm 5\%$ ,  $V_{EE} = 0V$ ,  $T_A = 0^\circ C$  to  $70^\circ C$**

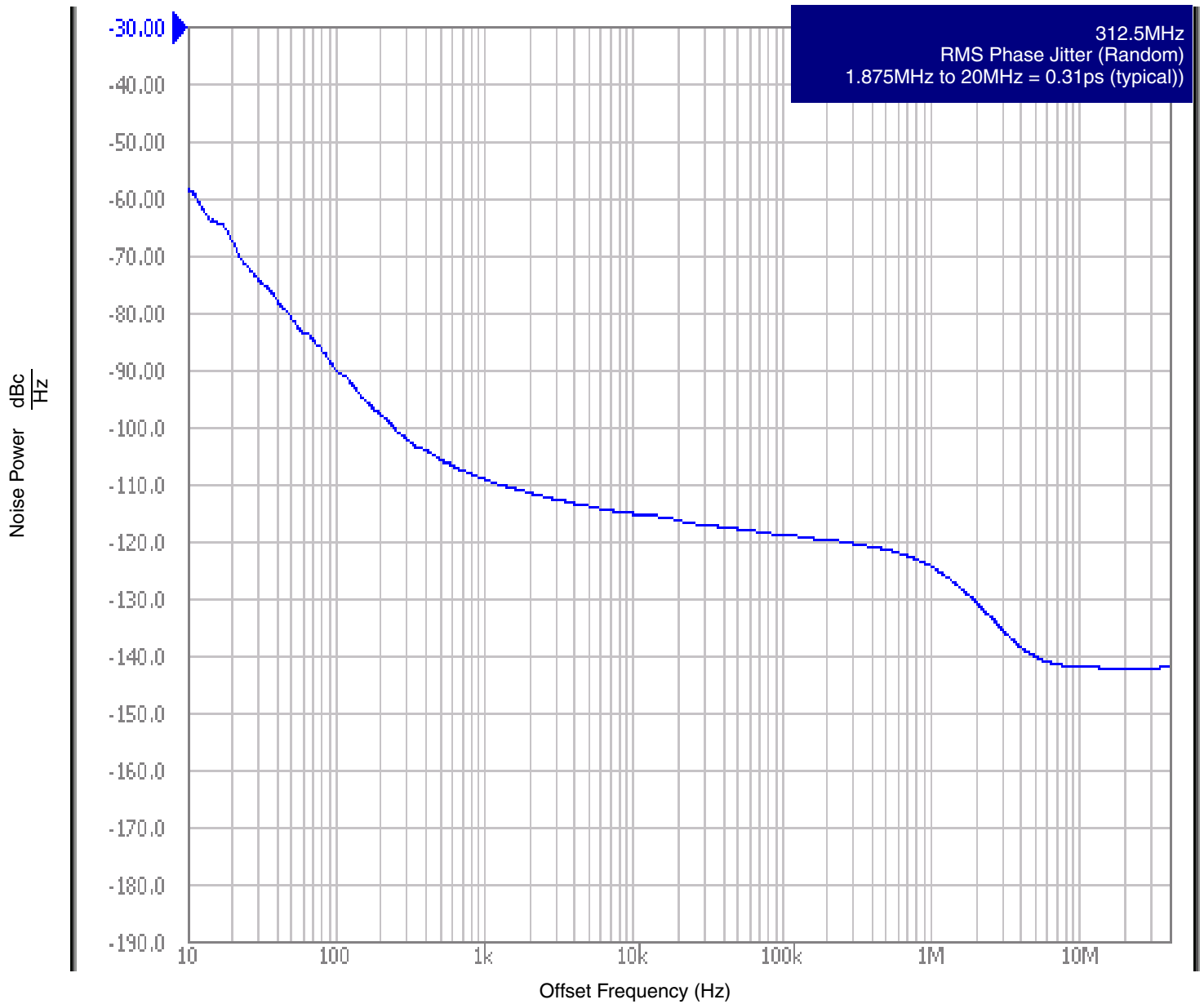
| Symbol               | Parameter                  | Test Conditions                                  | Minimum | Typical | Maximum | Units |
|----------------------|----------------------------|--|---------|---------|---------|-------|
| $f_{OUT}$            | Output Frequency           | Output divider = $\div 2$                        |         | 312.5   |         | MHz   |
|                      |                            | Output divider = $\div 5$                        |         | 125     |         | MHz   |
| $f_{jit}(\emptyset)$ | RMS Phase Jitter, (Random) | 312.5MHz,<br>Integration Range: 1.875MHz - 20MHz |         | 0.31    |         | ps    |
|                      |                            | 125MHz,<br>Integration Range: 1.875MHz - 20MHz   |         | 0.45    |         | ps    |
| $t_R / t_F$          | Output Rise/Fall Time      | 20% to 80%                                       | 200     |         | 700     | ps    |
| odc                  | Output Duty Cycle          | $f_{OUT} = 125MHz$                               | 45      |         | 55      | %     |
|                      |                            | $f_{OUT} = 312.5MHz$                             | 40      |         | 60      | %     |
| $t_{LOCK}$           | PLL Lock Time              |  |         |         | 100     | ms    |

NOTE: Electrical parameters are guaranteed over the specified ambient operating temperature range, which is established when the device is mounted in a test socket with maintained transverse airflow greater than 500 lpm. The device will meet specifications after thermal equilibrium has been reached under these conditions.

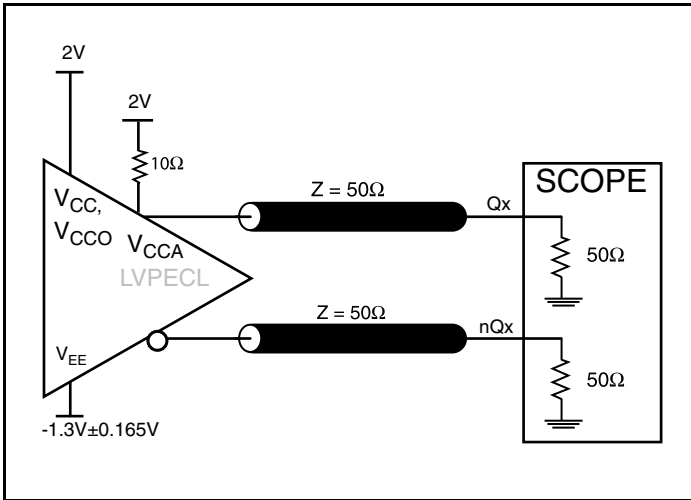
### Typical Phase Noise at 125MHz (3.3V)



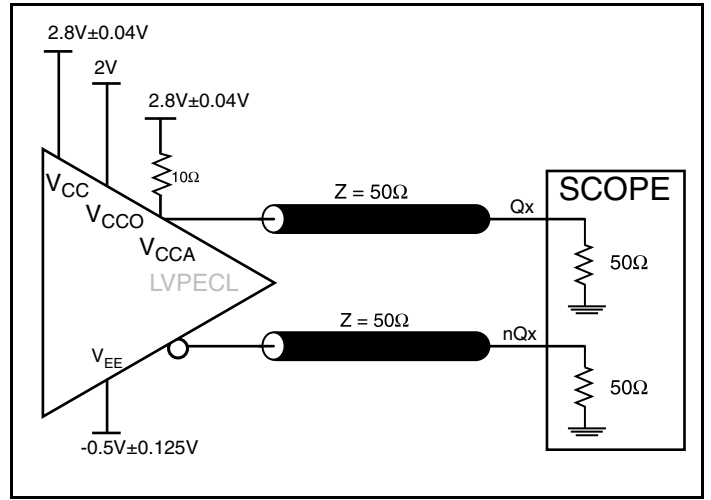
## Typical Phase Noise at 312.5MHz (3.3V)



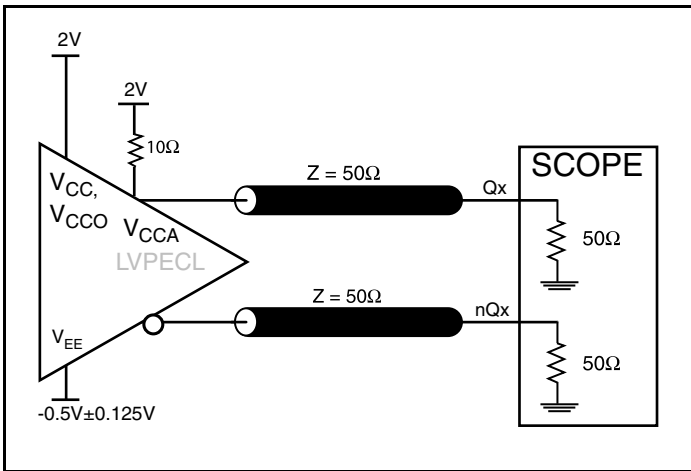
### Parameter Measurement Information



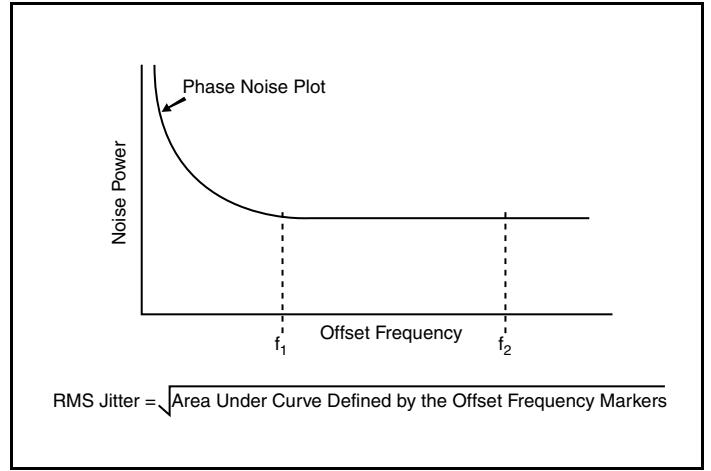
3.3V Core/ 3.3V LVPECL Output Load AC Test Circuit



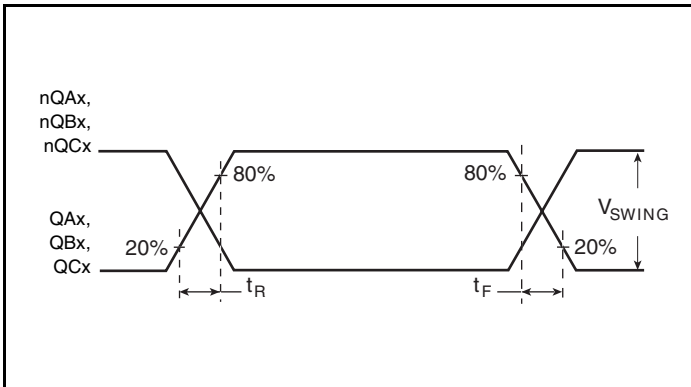
3.3V Core/ 2.5V LVPECL Output Load AC Test Circuit



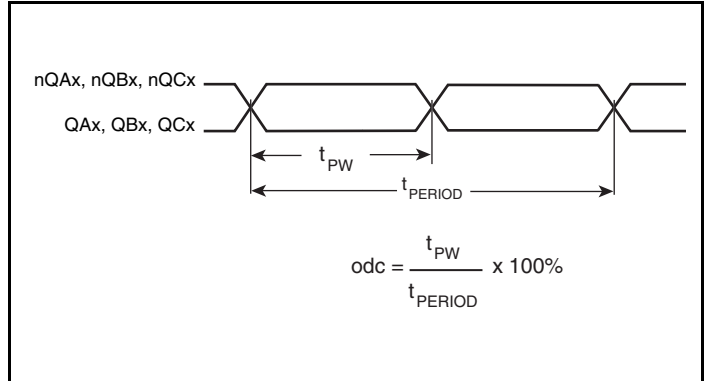
2.5V Core/ 2.5V LVPECL Output Load AC Test Circuit



RMS Phase Jitter



Output Rise/Fall Time



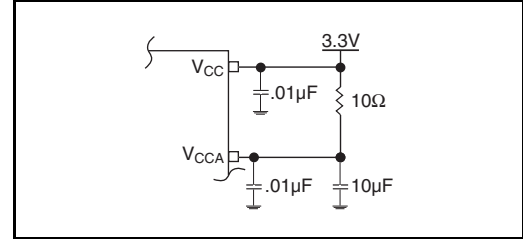
Output Duty Cycle/Pulse Width/Period



## Applications Information

### Power Supply Filtering Technique

As in any high speed analog circuitry, the power supply pins are vulnerable to random noise. To achieve optimum jitter performance, power supply isolation is required. The ICS843312 provides separate power supplies to isolate any high switching noise from the outputs to the internal PLL.  $V_{CC}$ ,  $V_{CCA}$  and  $V_{CCO}$  should be individually connected to the power supply plane through vias, and  $0.01\mu\text{F}$  bypass capacitors should be used for each pin. *Figure 1* illustrates this for a generic  $V_{CC}$  pin and also shows that  $V_{CCA}$  requires that an additional  $10\Omega$  resistor along with a  $10\mu\text{F}$  bypass capacitor be connected to the  $V_{CCA}$  pin.



**Figure 1. Power Supply Filtering**

## Recommendations for Unused Input and Output Pins

### Inputs:

#### TEST\_CLK Input

For applications not requiring the use of the test clock, it can be left floating. Though not required, but for additional protection, a  $1\text{k}\Omega$  resistor can be tied from the TEST\_CLK to ground.

#### Crystal Inputs

For applications not requiring the use of the crystal oscillator input, both XTAL\_IN and XTAL\_OUT can be left floating. Though not required, but for additional protection, a  $1\text{k}\Omega$  resistor can be tied from XTAL\_IN to ground.

#### LVC MOS Control Pins

All control pins have internal pulldowns; additional resistance is not required but can be added for additional protection. A  $1\text{k}\Omega$  resistor can be used.

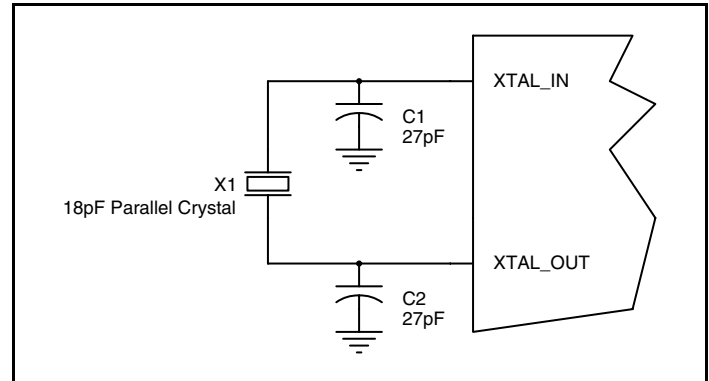
### Outputs:

#### LVPECL Outputs

All unused LVPECL outputs can be left floating. We recommend that there is no trace attached. Both sides of the differential output pair should either be left floating or terminated.

## Crystal Input Interface

The ICS843312 has been characterized with 18pF parallel resonant crystals. The capacitor values, C1 and C2, shown in *Figure 2* below were determined using a 25MHz, 18pF parallel resonant crystal and were chosen to minimize the ppm error. The optimum C1 and C2 values can be slightly adjusted for different board layouts.

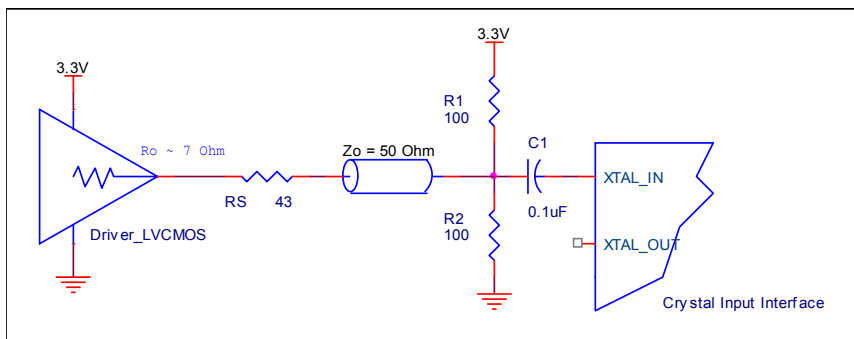


**Figure 2. Crystal Input Interface**

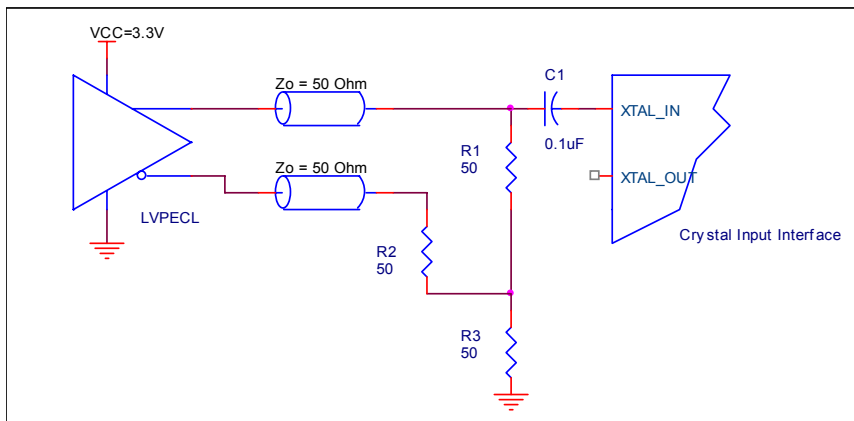
## Overdriving the XTAL Interface

The XTAL\_IN input can accept a single-ended LVCMOS signal through an AC coupling capacitor. A general interface diagram is shown in *Figure 3A*. The XTAL\_OUT pin can be left floating. The maximum amplitude of the input signal should not exceed 2V and the input edge rate can be as slow as 10ns. This configuration requires that the output impedance of the driver ( $R_o$ ) plus the series resistance ( $R_s$ ) equals the transmission line impedance. In addition,

matched termination at the crystal input will attenuate the signal in half. This can be done in one of two ways. First, R1 and R2 in parallel should equal the transmission line impedance. For most 50 $\Omega$  applications, R1 and R2 can be 100 $\Omega$ . This can also be accomplished by removing R1 and making R2 50 $\Omega$ . By overdriving the crystal oscillator, the device will be functional, but note, the device performance is guaranteed by using a quartz crystal.



**Figure 3A. General Diagram for LVCMOS Driver to XTAL Input Interface**



**Figure 3B. General Diagram for LVPECL Driver to XTAL Input Interface**

## Termination for 3.3V LVPECL Outputs

The clock layout topology shown below is a typical termination for LVPECL outputs. The two different layouts mentioned are recommended only as guidelines.

The differential outputs are low impedance follower outputs that generate ECL/LVPECL compatible outputs. Therefore, terminating resistors (DC current path to ground) or current sources must be used for functionality. These outputs are designed to drive 50Ω

transmission lines. Matched impedance techniques should be used to maximize operating frequency and minimize signal distortion.

*Figures 4A and 4B* show two different layouts which are recommended only as guidelines. Other suitable clock layouts may exist and it would be recommended that the board designers simulate to guarantee compatibility across all printed circuit and clock component process variations.

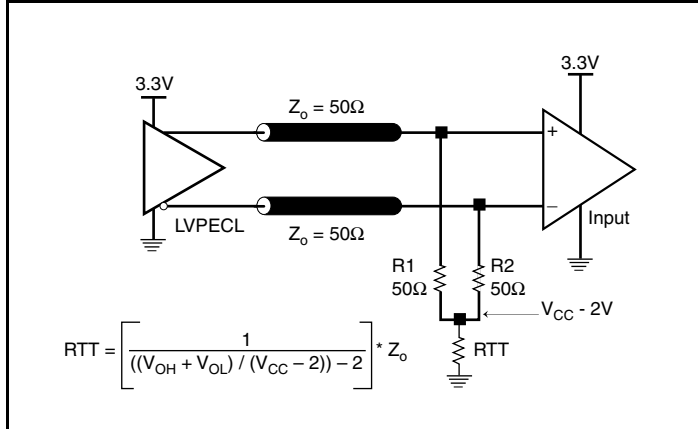


Figure 4A. 3.3V LVPECL Output Termination

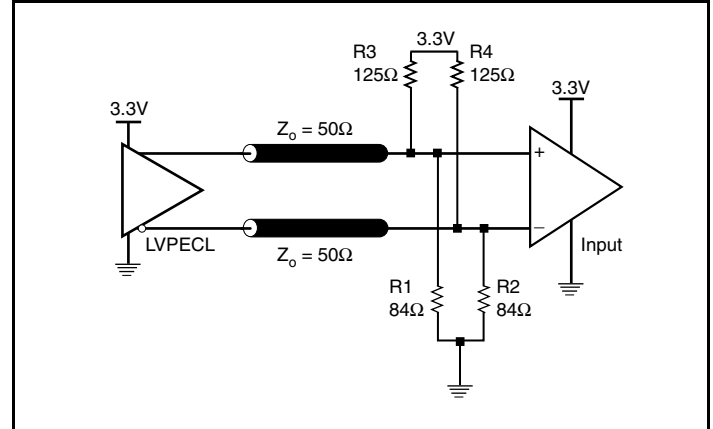


Figure 4B. 3.3V LVPECL Output Termination

### Termination for 2.5V LVPECL Outputs

Figure 5A and Figure 5B show examples of termination for 2.5V LVPECL driver. These terminations are equivalent to terminating 50Ω to  $V_{CC} - 2V$ . For  $V_{CC0} = 2.5V$ , the  $V_{CC0} - 2V$  is very close to ground

level. The R3 in Figure 5B can be eliminated and the termination is shown in Figure 5C.

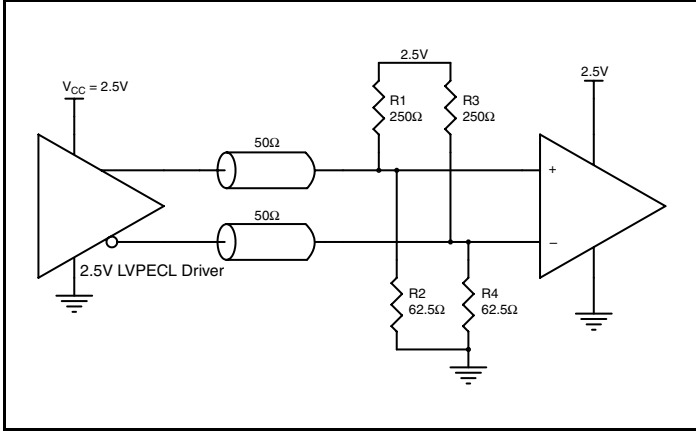


Figure 5A. 2.5V LVPECL Driver Termination Example

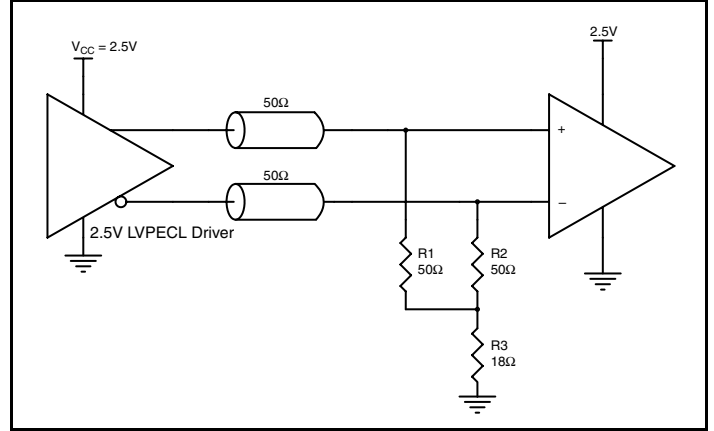


Figure 5B. 2.5V LVPECL Driver Termination Example

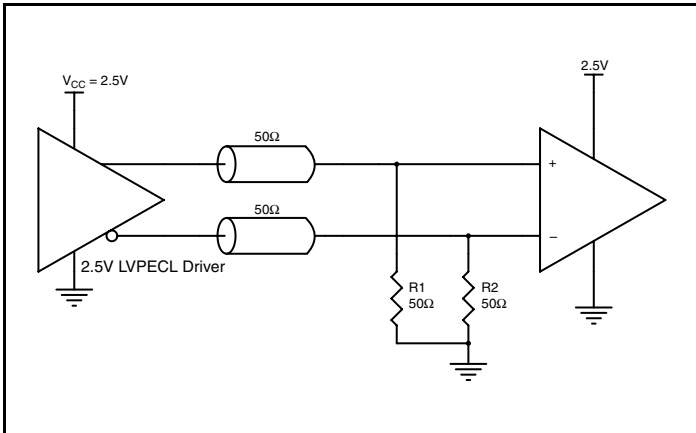


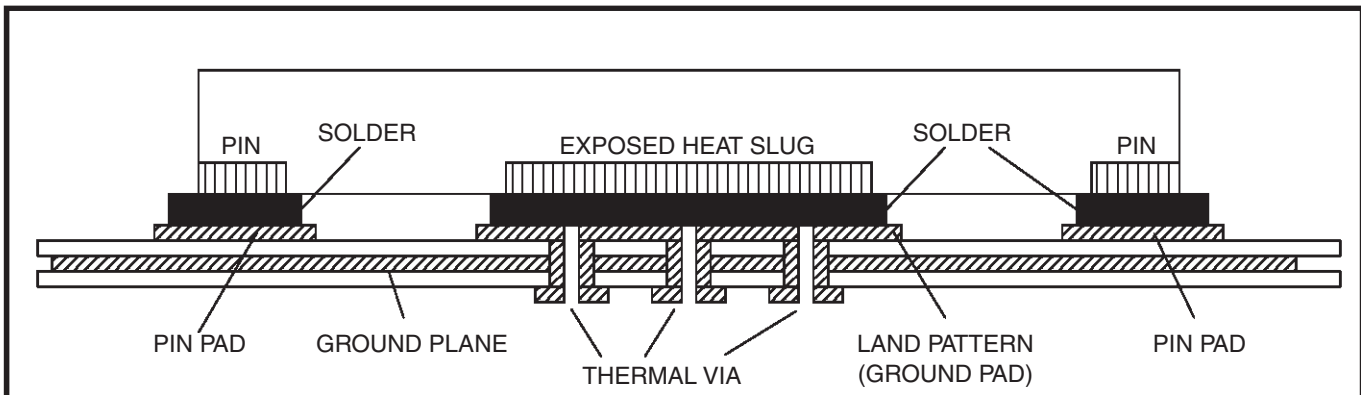
Figure 5C. 2.5V LVPECL Driver Termination Example

## VFQFN EPAD Thermal Release Path

In order to maximize both the removal of heat from the package and the electrical performance, a land pattern must be incorporated on the Printed Circuit Board (PCB) within the footprint of the package corresponding to the exposed metal pad or exposed heat slug on the package, as shown in *Figure 6*. The solderable area on the PCB, as defined by the solder mask, should be at least the same size/shape as the exposed pad/slug area on the package to maximize the thermal/electrical performance. Sufficient clearance should be designed on the PCB between the outer edges of the land pattern and the inner edges of pad pattern for the leads to avoid any shorts.

While the land pattern on the PCB provides a means of heat transfer and electrical grounding from the package to the board through a solder joint, thermal vias are necessary to effectively conduct from the surface of the PCB to the ground plane(s). The land pattern must be connected to ground through these vias. The vias act as “heat pipes”. The number of vias (i.e. “heat pipes”) are application specific

and dependent upon the package power dissipation as well as electrical conductivity requirements. Thus, thermal and electrical analysis and/or testing are recommended to determine the minimum number needed. Maximum thermal and electrical performance is achieved when an array of vias is incorporated in the land pattern. It is recommended to use as many vias connected to ground as possible. It is also recommended that the via diameter should be 12 to 13mils (0.30 to 0.33mm) with 1oz copper via barrel plating. This is desirable to avoid any solder wicking inside the via during the soldering process which may result in voids in solder between the exposed pad/slug and the thermal land. Precautions should be taken to eliminate any solder voids between the exposed heat slug and the land pattern. Note: These recommendations are to be used as a guideline only. For further information, please refer to the Application Note on the Surface Mount Assembly of Amkor’s Thermally/Electrically Enhance Leadframe Base Package, Amkor Technology.



**Figure 6. P.C. Assembly for Exposed Pad Thermal Release Path – Side View (drawing not to scale)**

## Power Considerations

This section provides information on power dissipation and junction temperature for the ICS843312. Equations and example calculations are also provided.

### 1. Power Dissipation.

The total power dissipation for the ICS843312 is the sum of the core power plus the power dissipation in the load(s). The following is the power dissipation for  $V_{CCO} = 3.3V + 5\% = 3.465V$ , which gives worst case results.

NOTE: Please refer to Section 3 for details on calculating power dissipation in the load.

- Power (core)<sub>MAX</sub> =  $V_{CC\_MAX} * I_{EE\_MAX} = 3.465V * 179mA = \mathbf{620.235mW}$
- Power (outputs)<sub>MAX</sub> = **30mW/Loaded Output pair**  
If all outputs are loaded, the total power is  $10 * 30mW = \mathbf{300mW}$

**Total Power**<sub>MAX</sub> (3.3V, with all outputs switching) =  $620.235mW + 300mW = \mathbf{920.235mW}$

### 2. Junction Temperature.

Junction temperature,  $T_j$ , is the temperature at the junction of the bond wire and bond pad, and directly affects the reliability of the device. The maximum recommended junction temperature is 125°C. Limiting the internal transistor junction temperature,  $T_j$ , to 125°C ensures that the bond wire and bond pad temperature remains below 125°C.

The equation for  $T_j$  is as follows:  $T_j = \theta_{JA} * Pd_{total} + T_A$

$T_j$  = Junction Temperature

$\theta_{JA}$  = Junction-to-Ambient Thermal Resistance

$Pd_{total}$  = Total Device Power Dissipation (example calculation is in section 1 above)

$T_A$  = Ambient Temperature

In order to calculate junction temperature, the appropriate junction-to-ambient thermal resistance  $\theta_{JA}$  must be used. Assuming no air flow and a multi-layer board, the appropriate value is 37°C/W per Table 7 below.

Therefore,  $T_j$  for an ambient temperature of 70°C with all outputs switching is:

$$70^\circ\text{C} + 0.920\text{W} * 37^\circ\text{C/W} = 104^\circ\text{C}. \text{ This is well below the limit of } 125^\circ\text{C}.$$

This calculation is only an example.  $T_j$  will obviously vary depending on the number of loaded outputs, supply voltage, air flow and the type of board (multi-layer).

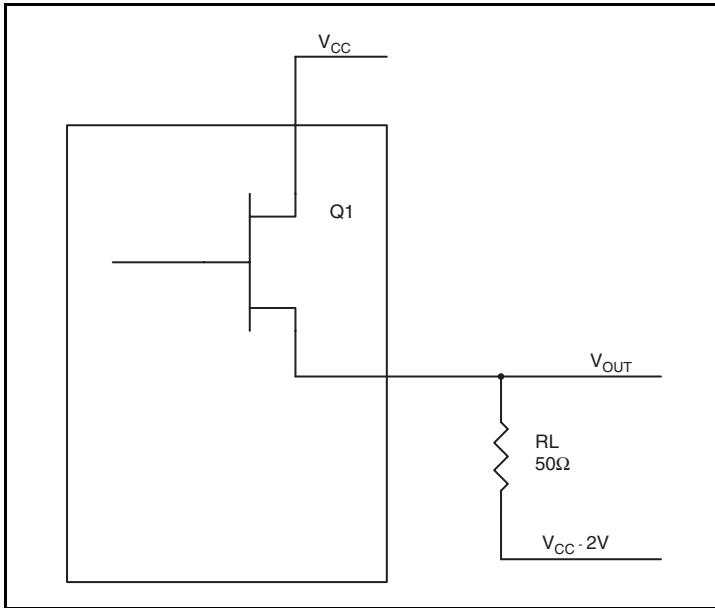
**Table 7. Thermal Resistance  $\theta_{JA}$  for 32 Lead VFQFN, Forced Convection**

| $\theta_{JA}$ by Velocity                   |          |          |          |
|---|----------|----------|----------|
| Meters per Second                           | 0        | 1        | 2.5      |
| Multi-Layer PCB, JEDEC Standard Test Boards | 37.0°C/W | 32.4°C/W | 29.0°C/W |

### 3. Calculations and Equations.

The purpose of this section is to calculate the power dissipation for the LVPECL output pairs.

The LVPECL output driver circuit and termination are shown in *Figure 7*.



**Figure 7. LVPECL Driver Circuit and Termination**

To calculate worst case power dissipation into the load, use the following equations which assume a 50Ω load, and a termination voltage of  $V_{CCO} - 2V$ .

- For logic high,  $V_{OUT} = V_{OH\_MAX} = V_{CCO\_MAX} - 0.9V$   
( $V_{CC\_MAX} - V_{OH\_MAX}$ ) = **0.9V**
- For logic low,  $V_{OUT} = V_{OL\_MAX} = V_{CCO\_MAX} - 1.7V$   
( $V_{CCO\_MAX} - V_{OL\_MAX}$ ) = **1.7V**

$Pd\_H$  is power dissipation when the output drives high.

$Pd\_L$  is the power dissipation when the output drives low.

$$Pd\_H = [(V_{OH\_MAX} - (V_{CCO\_MAX} - 2V))/R_L] * (V_{CCO\_MAX} - V_{OH\_MAX}) = [(2V - (V_{CCO\_MAX} - V_{OH\_MAX}))/R_L] * (V_{CCO\_MAX} - V_{OH\_MAX}) = [(2V - 0.9V)/50\Omega] * 0.9V = \mathbf{19.8mW}$$

$$Pd\_L = [(V_{OL\_MAX} - (V_{CCO\_MAX} - 2V))/R_L] * (V_{CCO\_MAX} - V_{OL\_MAX}) = [(2V - (V_{CCO\_MAX} - V_{OL\_MAX}))/R_L] * (V_{CCO\_MAX} - V_{OL\_MAX}) = [(2V - 1.7V)/50\Omega] * 1.7V = \mathbf{10.2mW}$$

Total Power Dissipation per output pair =  $Pd\_H + Pd\_L = \mathbf{30mW}$

## Reliability Information

**Table 8.  $\theta_{JA}$  vs. Air Flow Table for a 32Lead VFQFN**

| $\theta_{JA}$ vs. Air Flow                  |          |          |          |
|---|----------|----------|----------|
| Meters per Second                           | 0        | 1        | 2.5      |
| Multi-Layer PCB, JEDEC Standard Test Boards | 37.0°C/W | 32.4°C/W | 29.0°C/W |

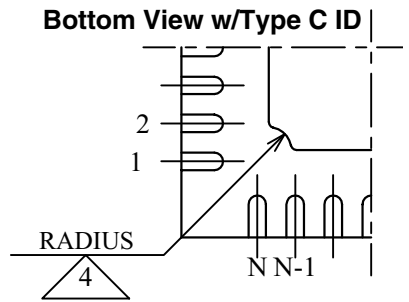
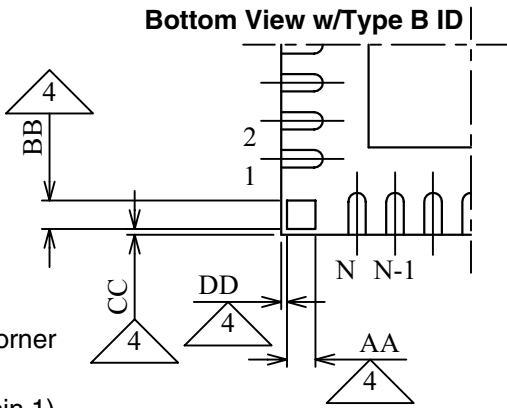
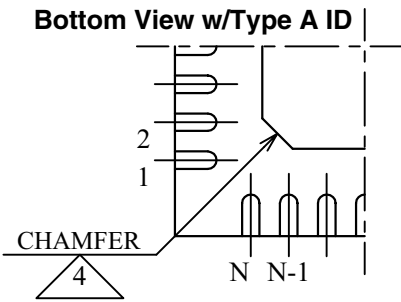
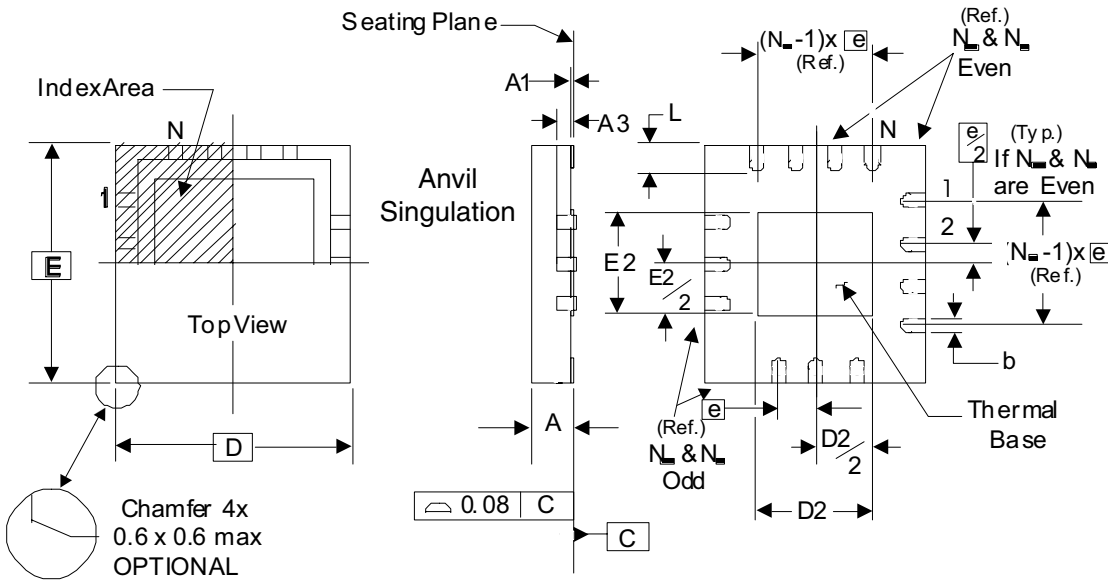
## Transistor Count

The transistor count for ICS843312 is: 3059



# Package Outline and Package Dimensions

## Package Outline - K Suffix for 32 Lead VFQFN



There are 3 methods of indicating pin 1 corner at the back of the VFQFN package are:

1. Type A: Chamfer on the paddle (near pin 1)
2. Type B: Dummy pad between pin 1 and N.
3. Type C: Mouse bite on the paddle (near pin 1)

Table 9. Package Dimensions

| JEDEC Variation: VHHD-2/-4    |            |         |         |
|-------------------------------|------------|---------|---------|
| All Dimensions in Millimeters |            |         |         |
| Symbol                        | Minimum    | Nominal | Maximum |
| N                             | 32         |         |         |
| A                             | 0.80       |         | 1.00    |
| A1                            | 0          |         | 0.05    |
| A3                            | 0.25 Ref.  |         |         |
| b                             | 0.18       | 0.25    | 0.30    |
| $N_D & N_E$                   | 8          |         |         |
| D & E                         | 5.00 Basic |         |         |
| D2 & E2                       | 3.0        |         | 3.3     |
| e                             | 0.50 Basic |         |         |
| L                             | 0.30       | 0.40    | 0.50    |

Reference Document: JEDEC Publication 95, MO-220

NOTE: The following package mechanical drawing is a generic drawing that applies to any pin count VFQFN package. This drawing is not intended to convey the actual pin count or pin layout of this device. The pin count and pinout are shown on the front page. The package dimensions are in Table 9.

## Ordering Information

**Table 10. Ordering Information**

| Part/Order Number | Marking     | Package                   | Shipping Packaging | Temperature |
|-------------------|-------------|---------------------------|--------------------|-------------|
| 843312AKLF        | ICS843312AL | "Lead-Free" 32 Lead VFQFN | Tray               | 0°C to 70°C |
| 843312AKLFT       | ICS843312AL | "Lead-Free" 32 Lead VFQFN | 2500 Tape & Reel   | 0°C to 70°C |

NOTE: Parts that are ordered with an "LF" suffix to the part number are the Pb-Free configuration and are RoHS compliant.

While the information presented herein has been checked for both accuracy and reliability, Integrated Device Technology (IDT) assumes no responsibility for either its use or for the infringement of any patents or other rights of third parties, which would result from its use. No other circuits, patents, or licenses are implied. This product is intended for use in normal commercial applications. Any other applications, such as those requiring extended temperature ranges, high reliability or other extraordinary environmental requirements are not recommended without additional processing by IDT. IDT reserves the right to change any circuitry or specifications without notice. IDT does not authorize or warrant any IDT product for use in life support devices or critical medical instruments.

## Revision History Sheet

| Rev | Table     | Page               | Description of Change  | Date    |
|-----|-----------|--------------------|--|---------|
| B   | T6A - T6C | 1<br>5<br>10<br>17 | Block Diagram - added outline to distinguish crystal oscillator is inside the part.<br>AC Characteristics Tables - added Output Duty Cycle spec for 312.5MHz.<br>Updated Overdriving the XTAL Interface.<br>Updated Package Outline. | 9/28/10 |

## We've Got Your Timing Solution



6024 Silver Creek Valley Road  
San Jose, California 95138

**Sales**  
800-345-7015 (inside USA)  
+408-284-8200 (outside USA)  
Fax: 408-284-2775  
[www.IDT.com/go/contactIDT](http://www.IDT.com/go/contactIDT)

**Technical Support**  
[netcom@idt.com](mailto:netcom@idt.com)  
+480-763-2056

DISCLAIMER Integrated Device Technology, Inc. (IDT) and its subsidiaries reserve the right to modify the products and/or specifications described herein at any time and at IDT's sole discretion. All information in this document, including descriptions of product features and performance, is subject to change without notice. Performance specifications and the operating parameters of the described products are determined in the independent state and are not guaranteed to perform the same way when installed in customer products. The information contained herein is provided without representation or warranty of any kind, whether express or implied, including, but not limited to, the suitability of IDT's products for any particular purpose, an implied warranty of merchantability, or non-infringement of the intellectual property rights of others. This document is presented only as a guide and does not convey any license under intellectual property rights of IDT or any third parties.

IDT's products are not intended for use in life support systems or similar devices where the failure or malfunction of an IDT product can be reasonably expected to significantly affect the health or safety of users. Anyone using an IDT product in such a manner does so at their own risk, absent an express, written agreement by IDT.

Integrated Device Technology, IDT and the IDT logo are registered trademarks of IDT. Other trademarks and service marks used herein, including protected names, logos and designs, are the property of IDT or their respective third party owners.

Copyright 2010. All rights reserved.