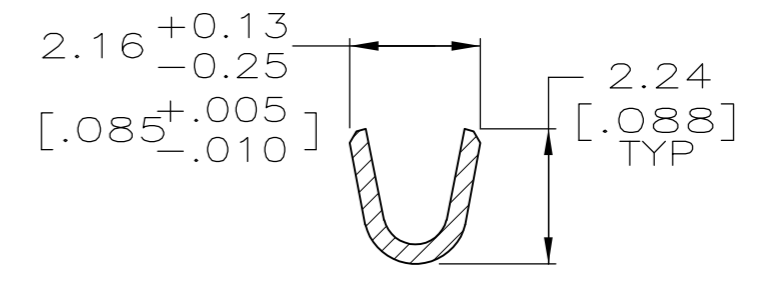
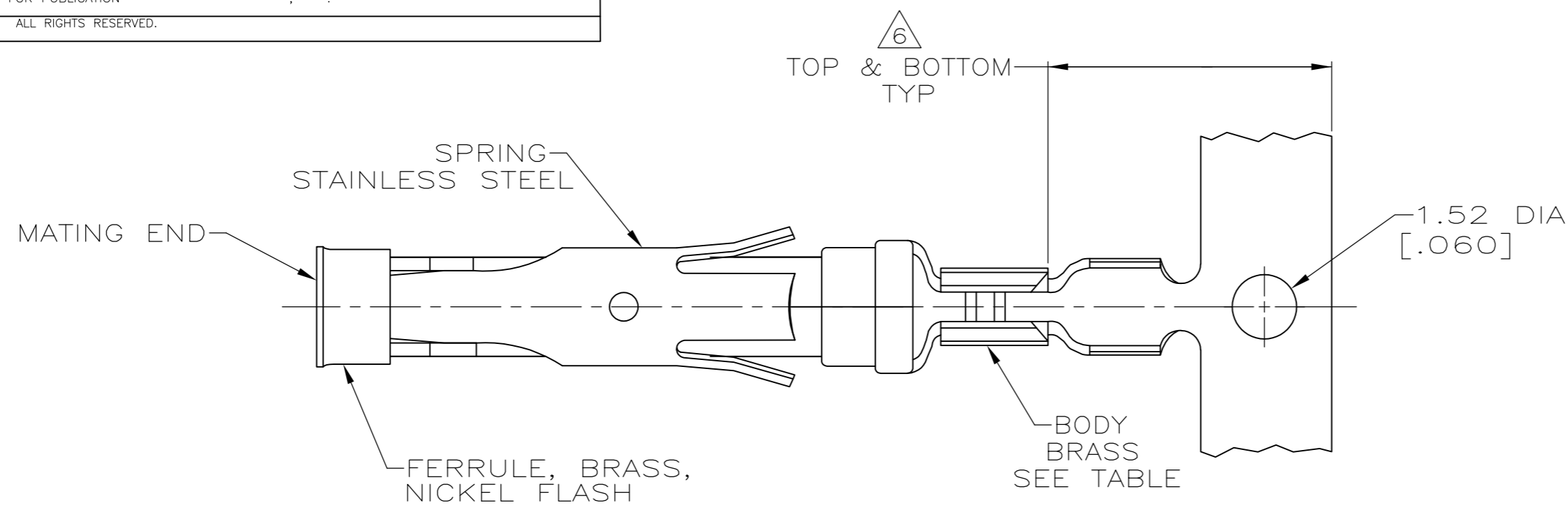
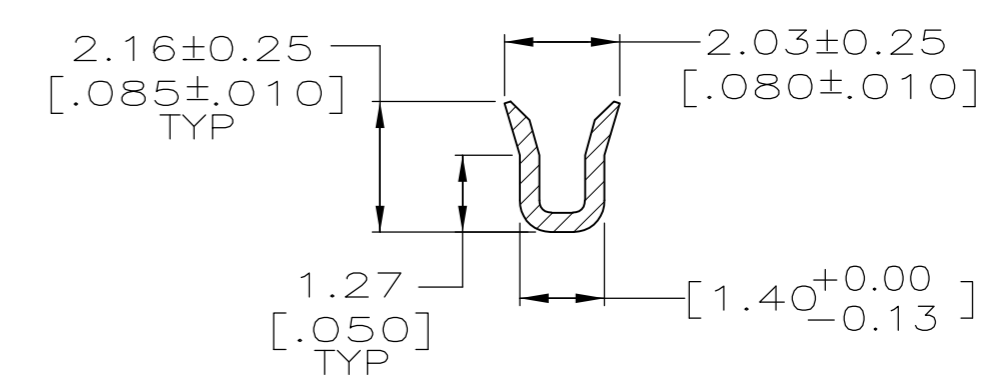
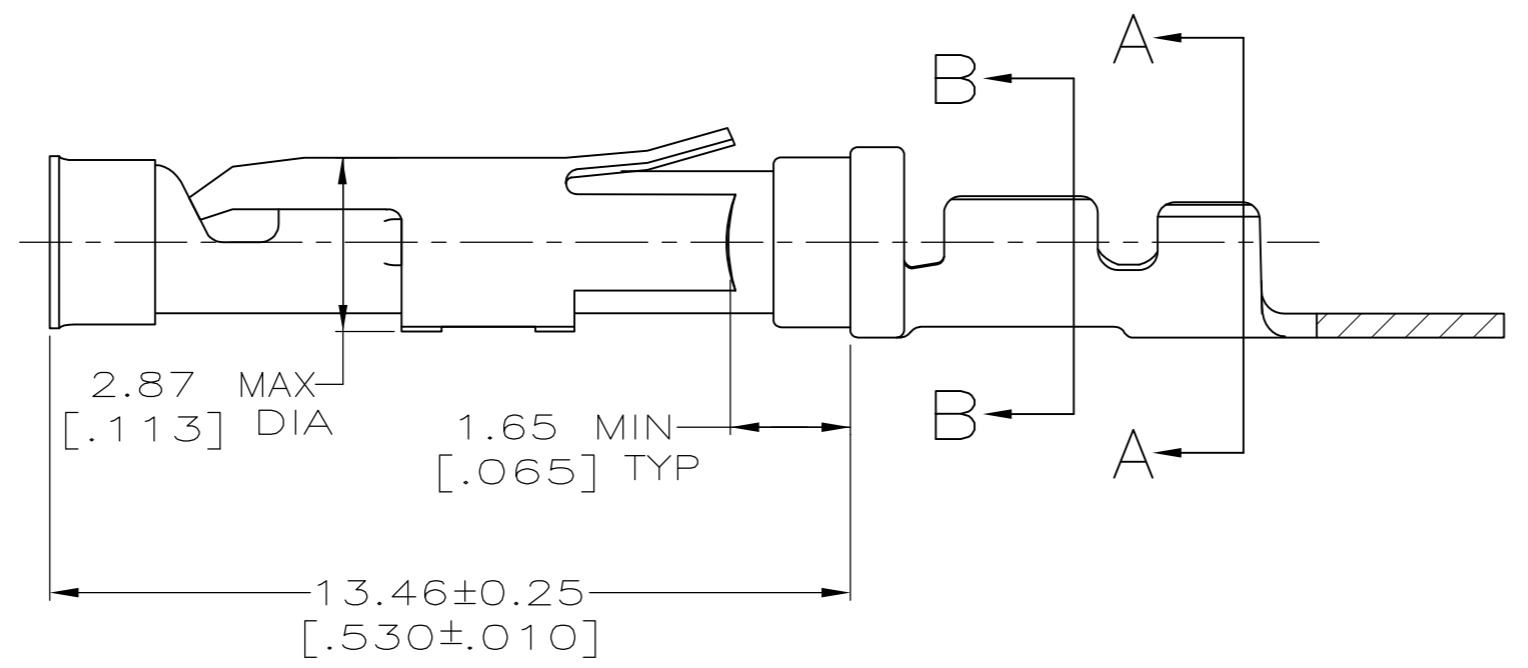
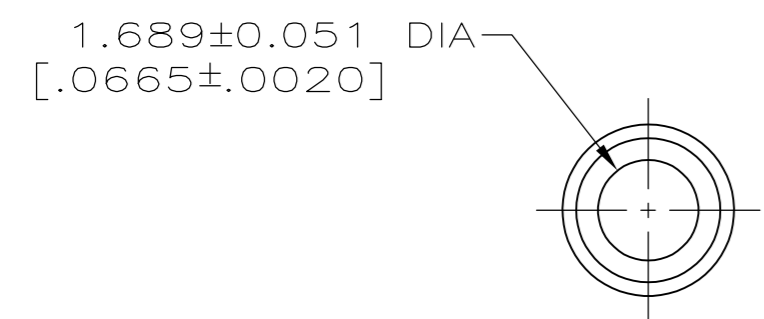


THIS DRAWING IS UNPUBLISHED. RELEASED FOR PUBLICATION  
 © COPYRIGHT - By - ALL RIGHTS RESERVED.

LOC	DIST	REVISIONS			
P	LTR	DESCRIPTION	DATE	DWN	APVD
FT	0	T	REVISED PER ECO-12-012320	04JUL12	KH MZ



SECTION A-A



SECTION B-B

- ① 0.76µm [.000030] MIN GOLD PER MIL-G-45204 ON MATING END FOR FOR A LENGTH OF 5.08 [.200] MIN WITH 1.27µm [.000050] MIN MATTE TIN PLATE IN WIRE CRIMP AREA, BOTH OVER 0.76µm [.000030] MIN NICKEL PER QQ-N-290.
- ② 1.27µm [.000050] MIN TIN-LEAD PER MIL-T-10727 OVER 0.76µm [.000030] MIN NICKEL PER QQ-N-290.
- ③ 0.76µm [.000030] MIN GOLD PER MIL-G-45204 ON MATING END FOR A LENGTH OF 5.08 [.200] MIN WITH A UNIFORM GRADIENT TO 0.25µm [.000010] MIN GOLD PER MIL-G-45204 ON THE REMAINDER OVER 0.76µm [.000030] MIN NICKEL PER QQ-N-290.
- ④ 0.38µm [.000015] MIN GOLD PER MIL-G-45204 ON MATING END FOR FOR A LENGTH OF 5.08 [.200] MIN WITH 1.27µm [.000050] MIN MATTE TIN PLATE IN WIRE CRIMP AREA, BOTH OVER 0.76µm [.000030] MIN NICKEL PER QQ-N-290.
- ⑤ 1.27µm [.000050] MIN GOLD PER MIL-G-45204 ON MATING END FOR A LENGTH OF 5.08 [.200] MIN WITH GOLD FLASH ON REMAINDER OVER 1.90µm [.000075] MIN NICKEL PER QQ-N-290.
- ⑥ GOLD PLATING NEED NOT APPEAR IN THIS AREA EXCEPT 66424-9 HAS GOLD PLATING ON INSULATION BARREL.
- ⑦ REVERSE REELED FOR MINI-APPLICATOR.
- 8. WIRE RANGE 26-30 AWG.  
INSULATION RANGE 1.02 [.040] - 1.52 [.060].
- ⑨ 0.38µm [.000015] MIN GOLD PER MIL-G-45204 ON MATING END FOR A LENGTH OF 5.08 [.200] MIN, 1.27µm [.000050] MIN TIN-LEAD PER MIL-T-10727 FOR A LENGTH OF 5.69 [.224] MIN ON OPPOSITE END, BOTH OVER 1.27µm [.000050] MIN NICKEL PER QQ-N-290 ON ENTIRE CONTACT.
- ⑩ 1.27µm [.000050] MIN TIN PER MIL-T-10727 OVER 0.76µm [.000030] MIN NICKEL PER QQ-N-290.
- ⑪ OBSOLETE PARTS: OBSOLETE CIS STREAMLINING PER D.RENAUD/D.SINISI

	⑦	⑩	-	1-66424-1
OBSOLETE	⑦	⑨	66428-5	1-66424-0
OBSOLETE	⑦	⑤	-	66424-9
	⑦	①	66428-4	66424-8
	⑦	④	66428-3	66424-7
	⑦	②	-	66424-6
OBSOLETE	⑦	③	66428-1	① 66424-5
	STANDARD	④	66428-3	66424-3
OBSOLETE	STANDARD	③	66428-1	66424-1
	REELING	BODY FINISH	LOOSE PIECE REF	PART NO.

THIS DRAWING IS A CONTROLLED DOCUMENT.		DWN R.SHIREY 08/06/91		
DIMENSIONS: mm [INCHES]		CHK R.STONE 9-19-91		
TOLERANCES UNLESS OTHERWISE SPECIFIED:		APVD -	NAME	
0 PLC ± -		PRODUCT SPEC -	SOCKET ASSEMBLY, .062, TYPE III+	
1 PLC ± -		APPLICATION SPEC -	-	
2 PLC ± 0.13 [.005]		WEIGHT -	SIZE A2	CAGE CODE 00779
3 PLC ± -		FINISH	DRAWING NO C-66424	RESTRICTED TO -
4 PLC ± -		SEE CALLOUTS	SCALE 8:1	SHEET 1 OF 1
ANGLES ± -		SEE CALLOUTS	REV T	
MATERIAL SEE CALLOUTS		CUSTOMER DRAWING		