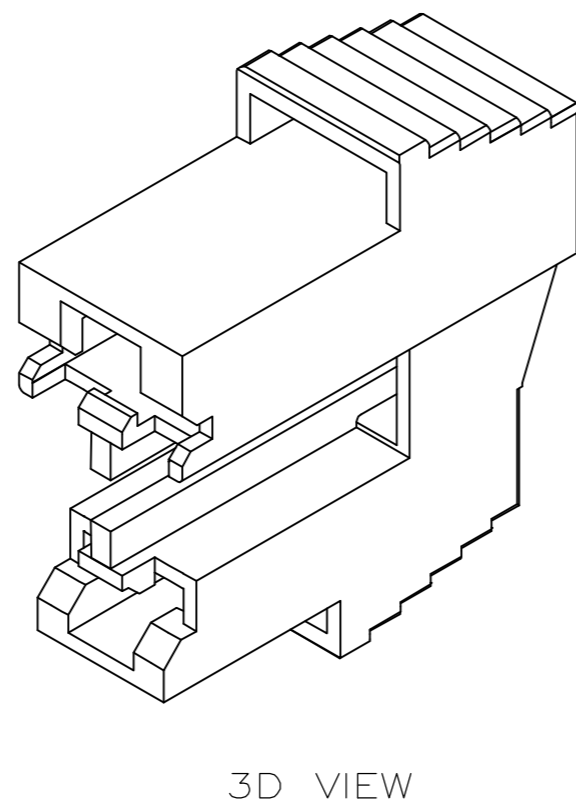
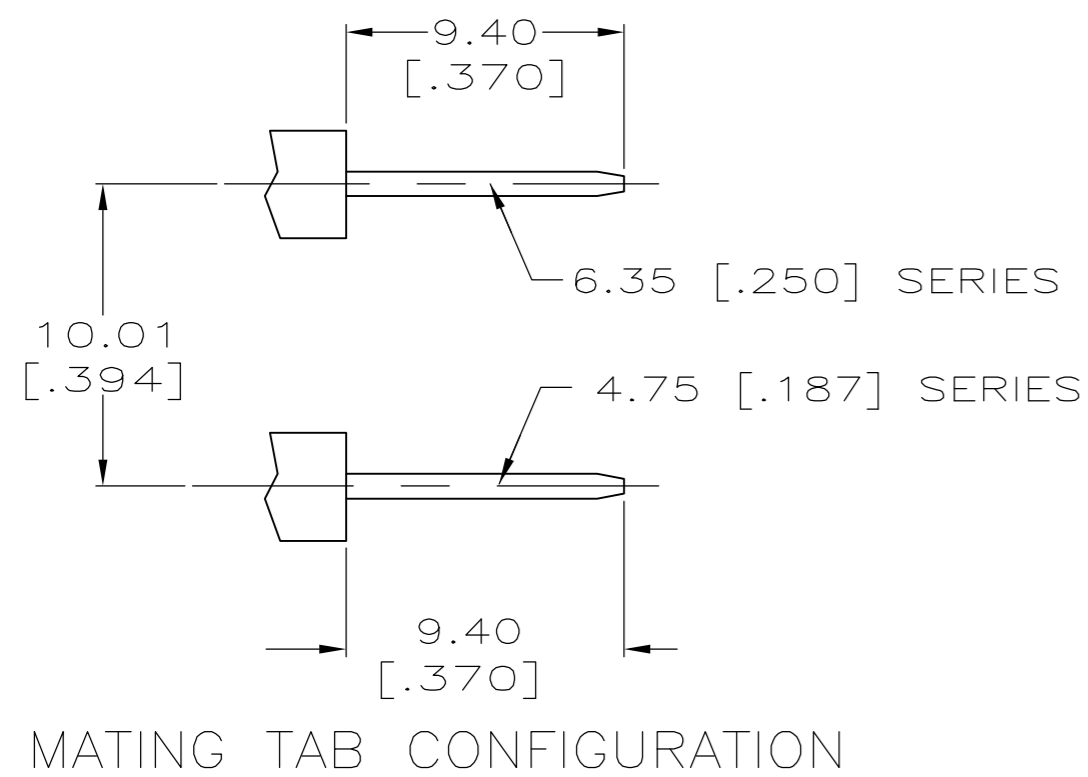
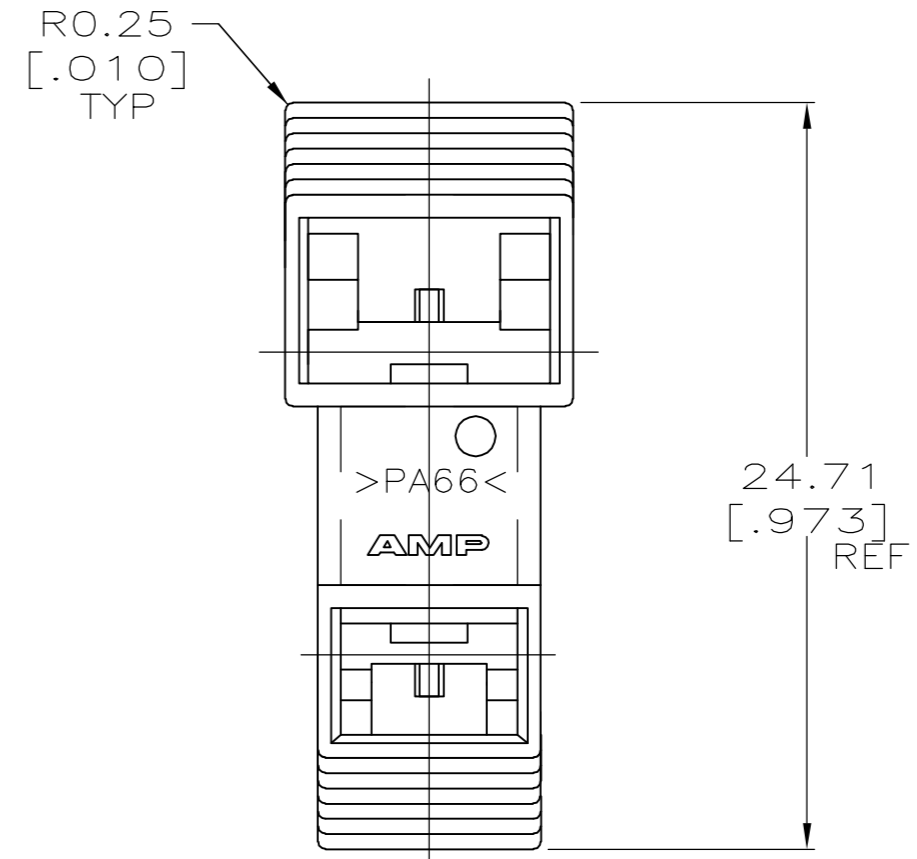
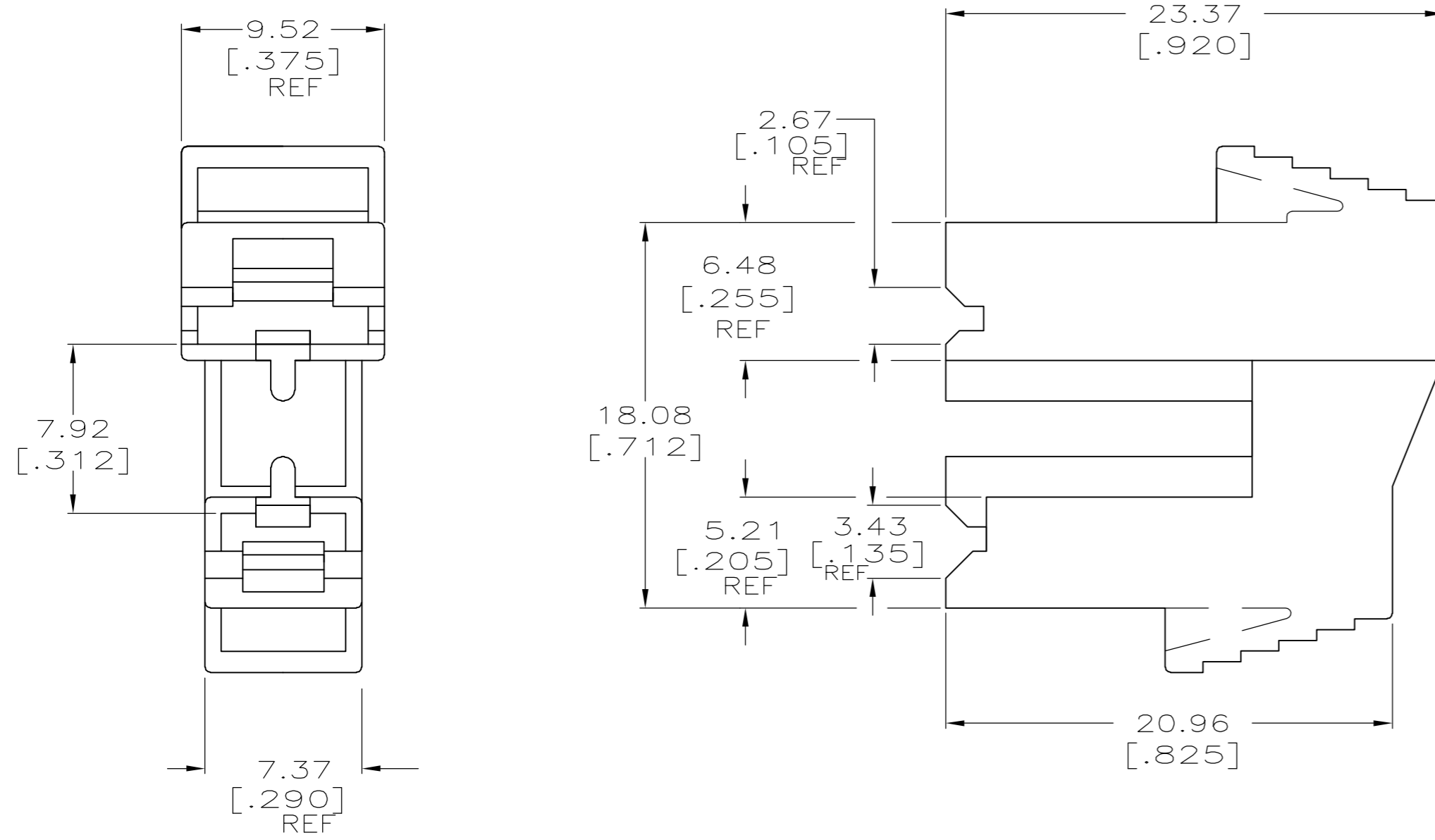


THIS DRAWING IS UNPUBLISHED. RELEASED FOR PUBLICATION
 © COPYRIGHT BY TYCO ELECTRONICS CORPORATION. ALL RIGHTS RESERVED.

LOC	DIST	REVISIONS			
P	LTR	DESCRIPTION	DATE	DWN	APVD
AF	50	A1	REV PER ECR 07-004435	27FEB07	JR PD

- 1 CENTERLINE LOCATION OF MATING TABS MUST BE HELD TO A TOLERANCE OF ± 0.005 TO INSURE PROPER MATING WITH THIS HOUSING.
- 2 PRELIMINARY - NOT FOR PRODUCTION



BLACK	6/6 NYLON, V0	2 521148-2
BLACK	6/6 NYLON	521148-1
FINISH	MATERIAL	PART NO.

DIMENSIONS:		TOLERANCES UNLESS OTHERWISE SPECIFIED:		APVD		NAME	
INCHES		0 PLC	\pm -	JR RUTH	7/28/97	Tyco Electronics Corporation	
		1 PLC	\pm -	MS FEHER	7/28/97	Harrisburg, PA 17105-3608	
		2 PLC	\pm 0.25 [.010]	D BRATINA	7/28/97	HOUSING, RECEPTACLE, FASTON,	
		3 PLC	\pm -			4.75 [.187] & 6.35 [.250] SERIES	
		4 PLC	\pm -			SIZE	CAGE CODE
		ANGLES	\pm -			A2	00779
		FINISH	SEE TABLE			DRAWING NO	RESTRICTED TO
MATERIAL	SEE TABLE					C=521148	-
						SCALE	SHEET
						4:1	1 of 1
						REV	A1