

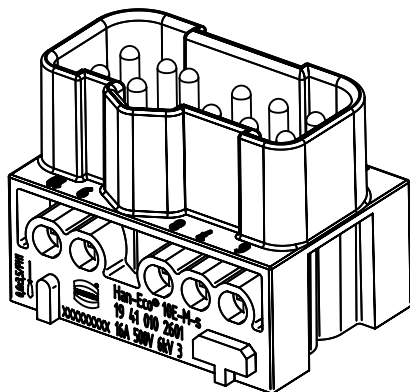
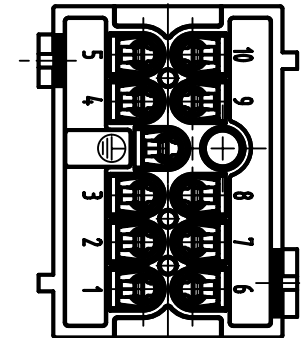
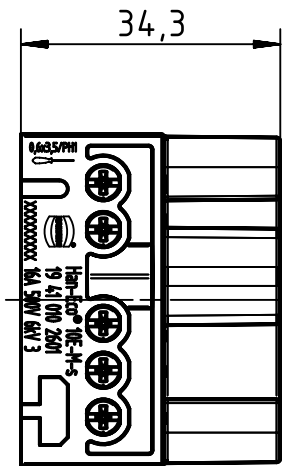
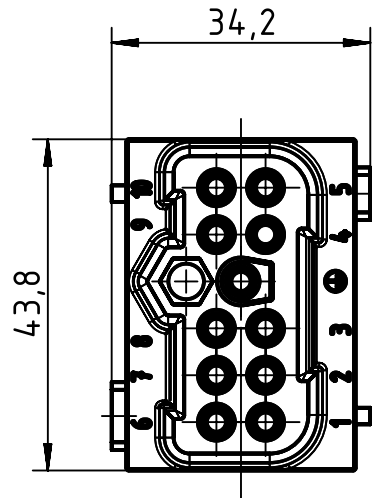
1 2 3 4 5 6

A

B

C

D



	All Dimensions in mm Original Size DIN A4		Scale 1:1	Free size tol.		Ref.
						Sub.
	All rights reserved Department EL PD - DE		Created by MOELLERLI	Inspected by SUNDERMEIER	Standardisation TIEMANNA	Date 2013-10-24
	HARTING Electric GmbH & Co. KG D-32339 Espelkamp		Title <b>Han-Eco 10E-M-s</b>			State Final Release
			Type TB	Number 19 41 010 2601		Doc-Key / ECM-Nr. 100511916/UGD/002/B 500000067209
					Rev. B	Page 1/1