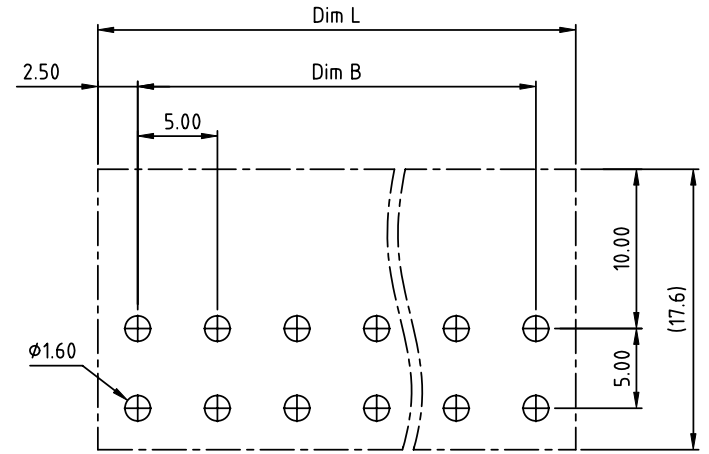
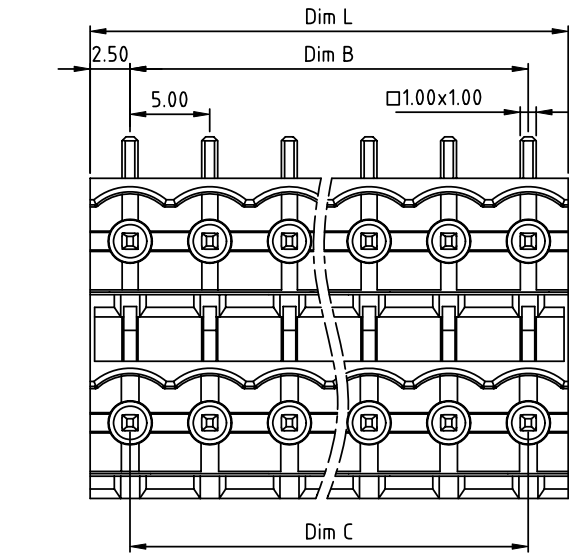
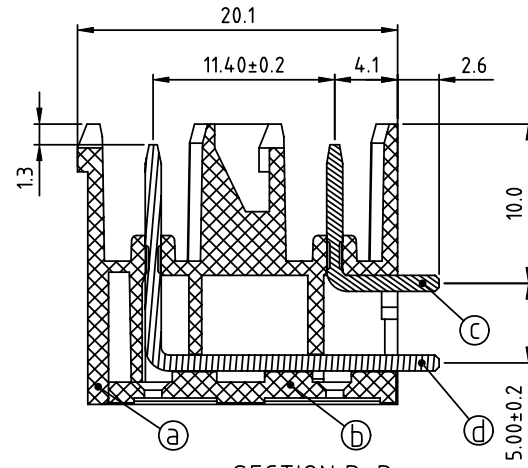
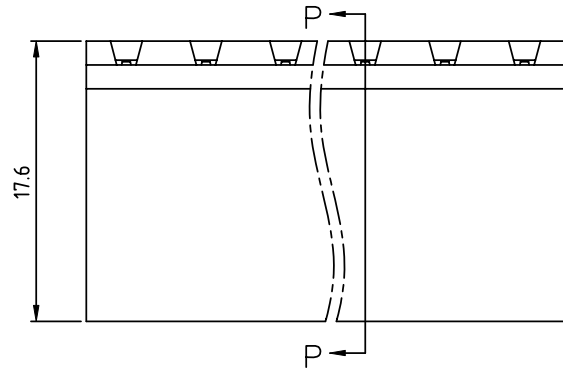


PRODUCT NUMBER	PITCH
KExx74x300J0G	5.00 mm



RECOMMENDED P.C.B LAYOUT
TOP VIEW



SECTION P-P

- Material:
- Item ① Terminal(housing): Thermoplastic (UL94V-0)
 - Item ② Terminal(cover): Thermoplastic (UL94V-0)
 - Item ③ Short pin: Copper Tin plated
 - Item ④ Long pin: Copper Tin plated

- Electrical: cULus
- Voltage rating: 300V
 - Current rating: 12A
 - Withstanding Voltage: 1.6KV
 - Operating temperature: -40°C to +115°C
 - Soldering temperature: 260°C±5°C/5 Sec
 - Safety Approval:

N=Number of poles
Dim L=N/2×5.0
Dim B=(N/2-1)×5.0
Dim C=(N/2-1)×5.0

Poles	Tolerance
2×2P-2×6P	±0.15
2×7P-2×12P	±0.25
2×13P-2×18P	±0.35
2×19P-2×24P	±0.40

PART NO.: KE xx 7 4 x 3 00J0 G

- Solid block
 - No. of poles
 - Color
 - RoHS compliant (lead<4% In copper Alloy)
- | | | |
|--------------|---------------------|--|
| 04 2x2poles | 0 Black (RAL9005) | |
| 06 2x3poles | 2 Red (RAL3001/D) | |
| ... | 3 Orange(RAL2011/P) | |
| ... | 4 Yellow(RAL1018/A) | |
| 48 2x24poles | 5 Green(RAL6018/T) | |
| | 6 Blue (RAL5015/A) | |
| | 8 Grey(RAL7035/D) | |
| | 9 White(RAL1102) | |
| | C Green(RAL6018/U) | |

mat'l. code		surface ASME Y14.5	tolerance ASME Y14.5	projection	product family
ltr ecn no dr date		tolerances unless otherwise specified			TERMINAL BLOCK
		angles	X.±0.5	MM	title
		flat	X.X±0.3		TERMINAL BLOCK
		X°±1°	X.XX±0.1	scale	PLUGGABLE SOCKET, OPEN RIGHT ANGLE
		dr	EVIN ZHONG 042414		dwg no
		enr	EVIN ZHONG 042414		sheet 1 of 1
		chr	HANKE FENG 042414		size
		appd	SHI JUN 042414		A4
sheet index	revision sheet	A			type CUSTOMER Drawing