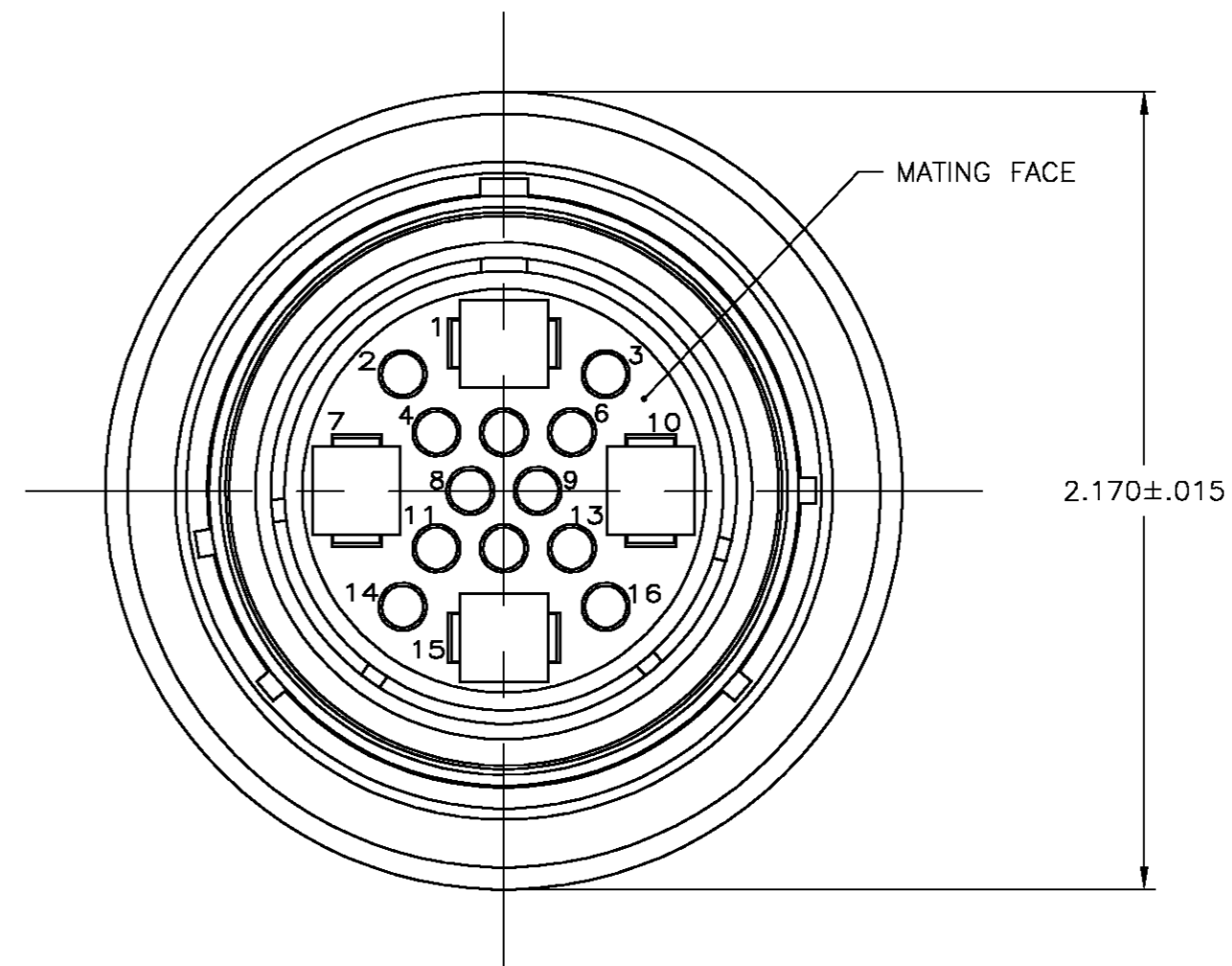
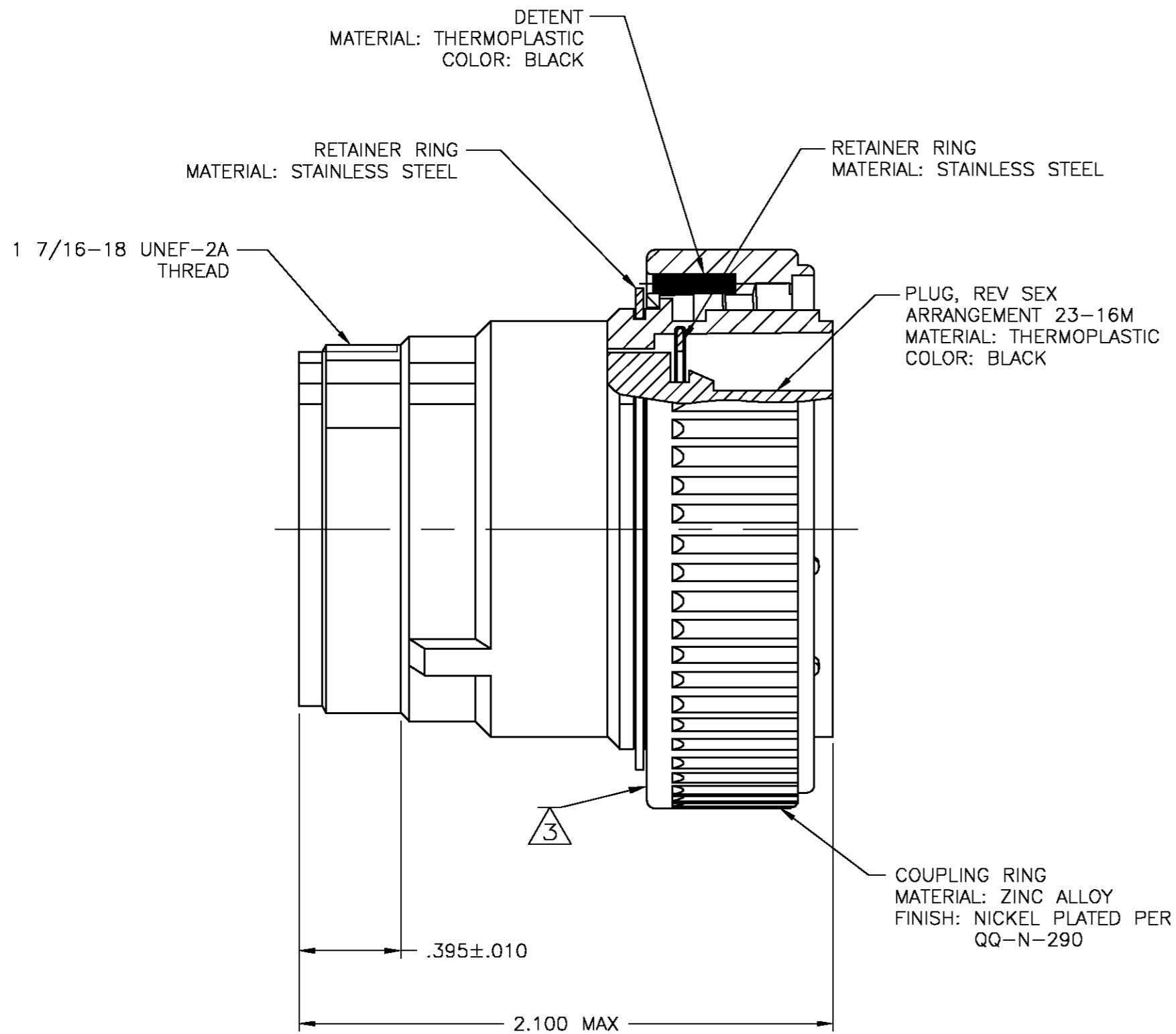


THIS DRAWING IS UNPUBLISHED. RELEASED FOR PUBLICATION  
 © COPYRIGHT BY TYCO ELECTRONICS CORPORATION. ALL RIGHTS RESERVED.

LOC	DIST	REVISIONS					
FT	0	P	LTR	DESCRIPTION	DATE	DWN	APVD
		0		REVISED PER 0G3B-0619-04	7/16/04	SS	SH



NOTES:

- THIS CONNECTOR ACCEPTS (12) MULTIMATE PIN CONTACTS AND (4) TYPE XII MALE CONTACTS.
  - RECEPTACLE MATES WITH 1776088-1.
- AMP PART NUMBER AND DATE CODE TO BE LOCATED ON TOP SURFACE OF COUPLING RING.

1776089-1  
PART NO.

THIS DRAWING IS A CONTROLLED DOCUMENT.		DWN	S SCHLEGEL	5/28/04	Tyco Electronics Corporation Harrisburg, Pa 17105-3608																					
DIMENSIONS: INCHES		CHK	S SCHLEGEL	5/25/04																						
TOLERANCES UNLESS OTHERWISE SPECIFIED:		APVD	S HEADER	5/25/04																						
<table border="0"> <tr><td>0 PLC</td><td>±</td><td>-</td></tr> <tr><td>1 PLC</td><td>±</td><td>-</td></tr> <tr><td>2 PLC</td><td>±</td><td>-</td></tr> <tr><td>3 PLC</td><td>±</td><td>-</td></tr> <tr><td>4 PLC</td><td>±</td><td>-</td></tr> <tr><td>ANGLES</td><td>±</td><td>-</td></tr> <tr><td>FINISH</td><td>-</td><td>-</td></tr> </table>		0 PLC	±	-		1 PLC	±	-	2 PLC	±	-	3 PLC	±	-	4 PLC	±	-	ANGLES	±	-	FINISH	-	-	PRODUCT SPEC	-	NAME
0 PLC	±	-																								
1 PLC	±	-																								
2 PLC	±	-																								
3 PLC	±	-																								
4 PLC	±	-																								
ANGLES	±	-																								
FINISH	-	-																								
MATERIAL		APPLICATION SPEC	-	SIZE	A2																					
-		WEIGHT	-	CAGE CODE	00779																					
-		CUSTOMER DRAWING	-	DRAWING NO	C=1776089																					
-		SCALE	2:1	SHEET	1 OF 1																					
-		REV	0	RESTRICTED TO	-																					