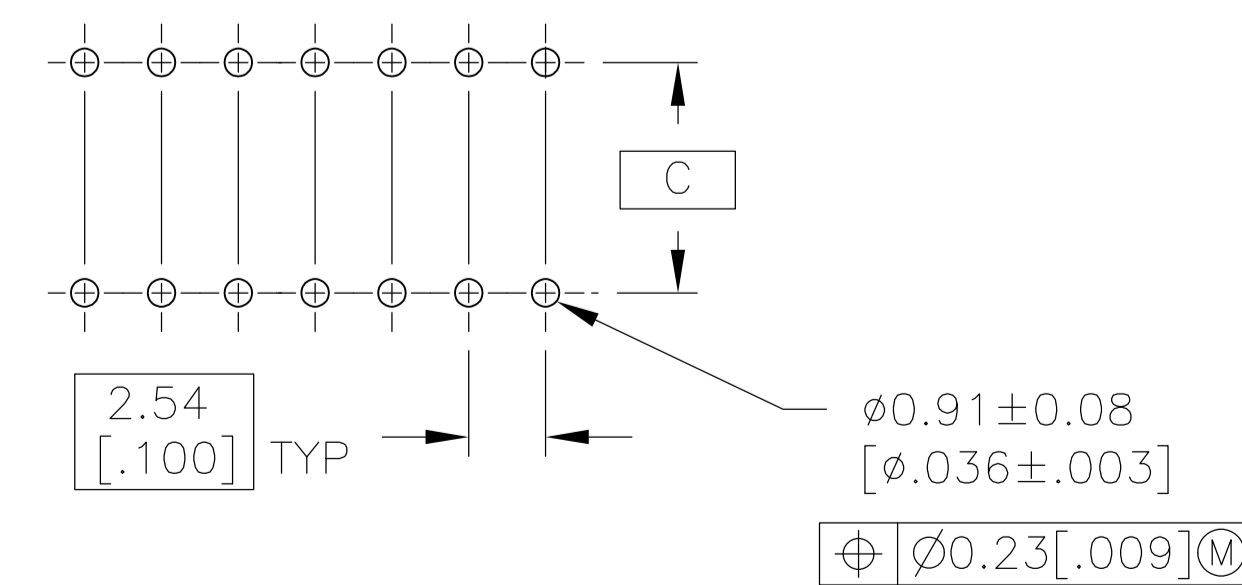
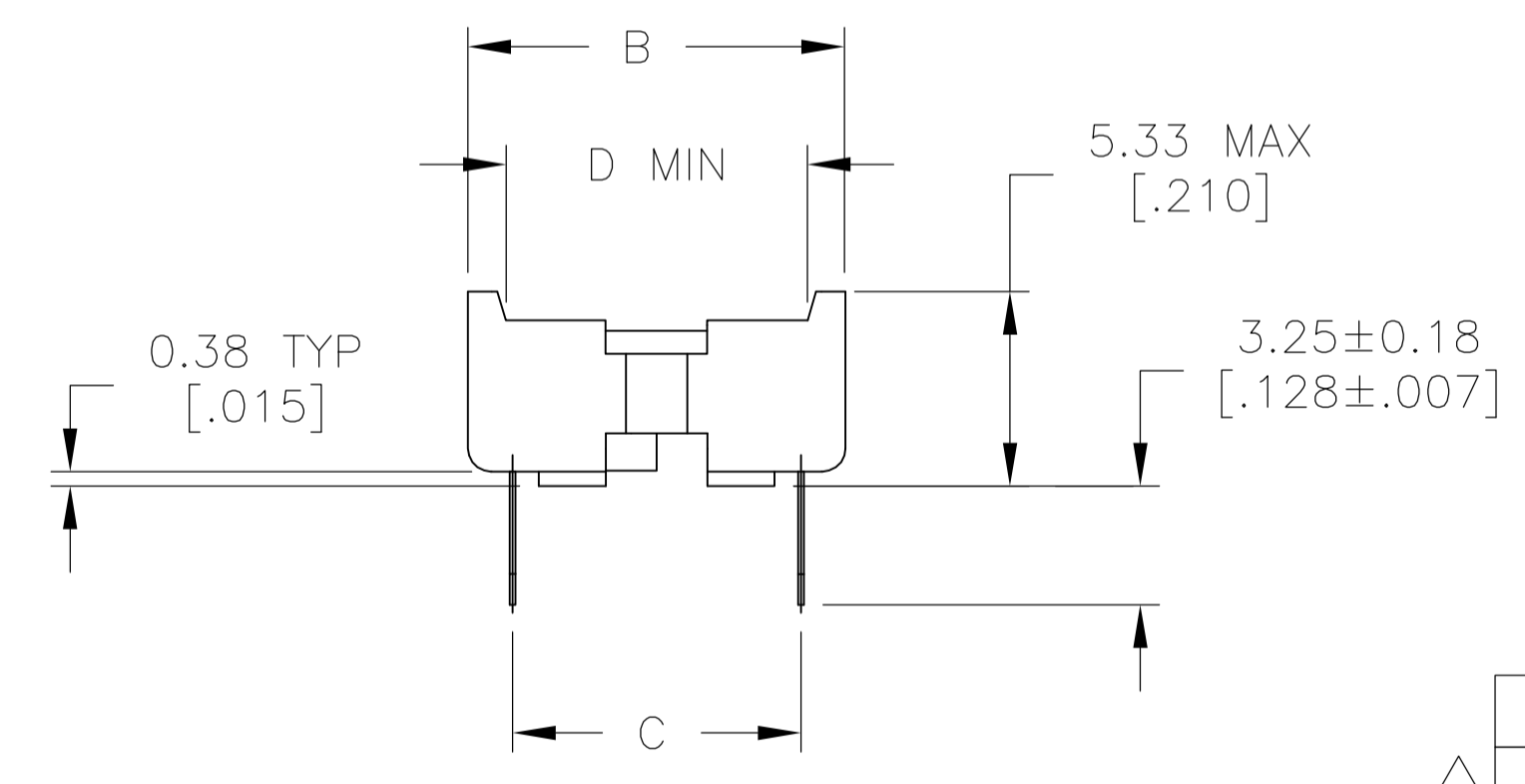
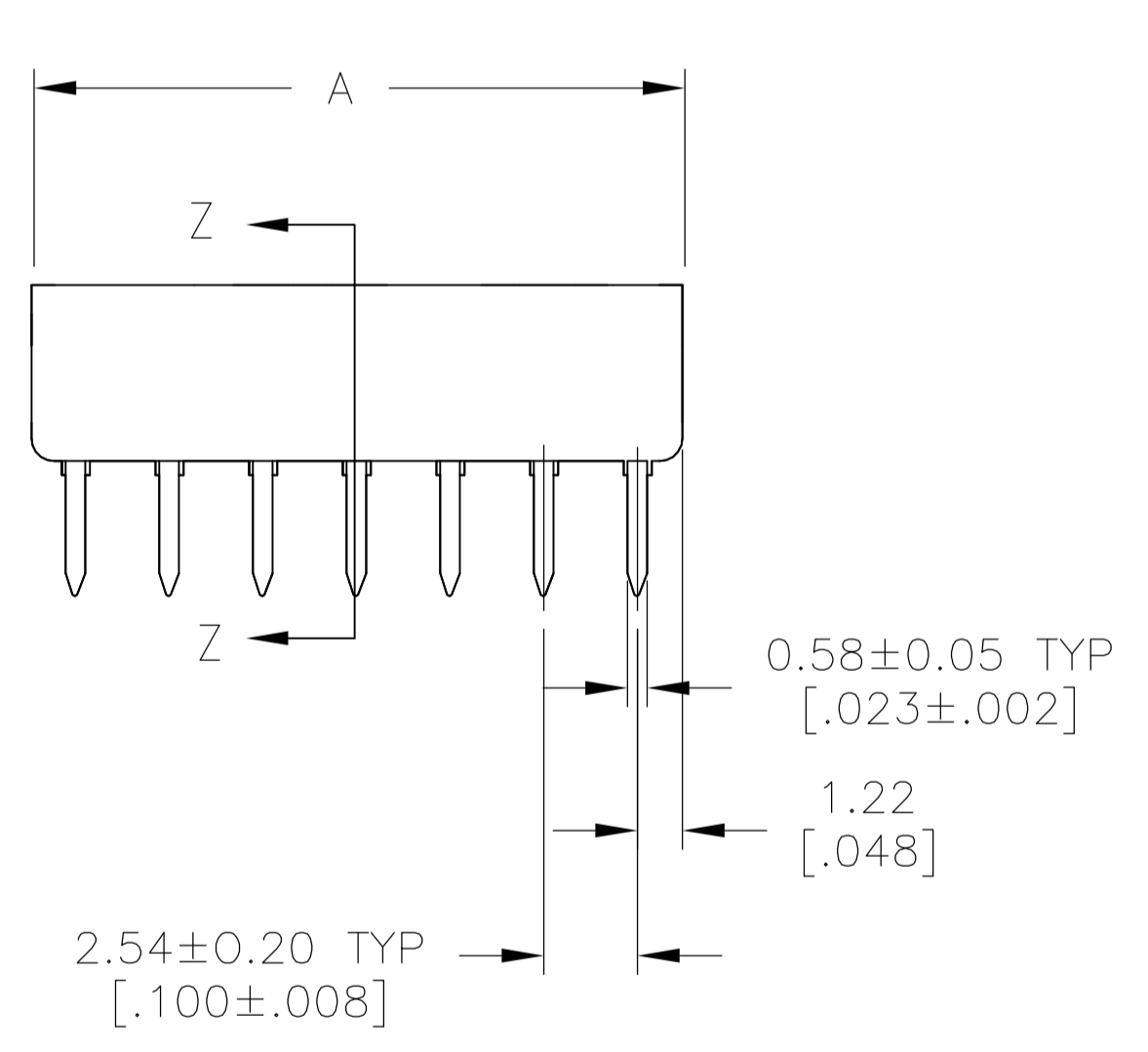
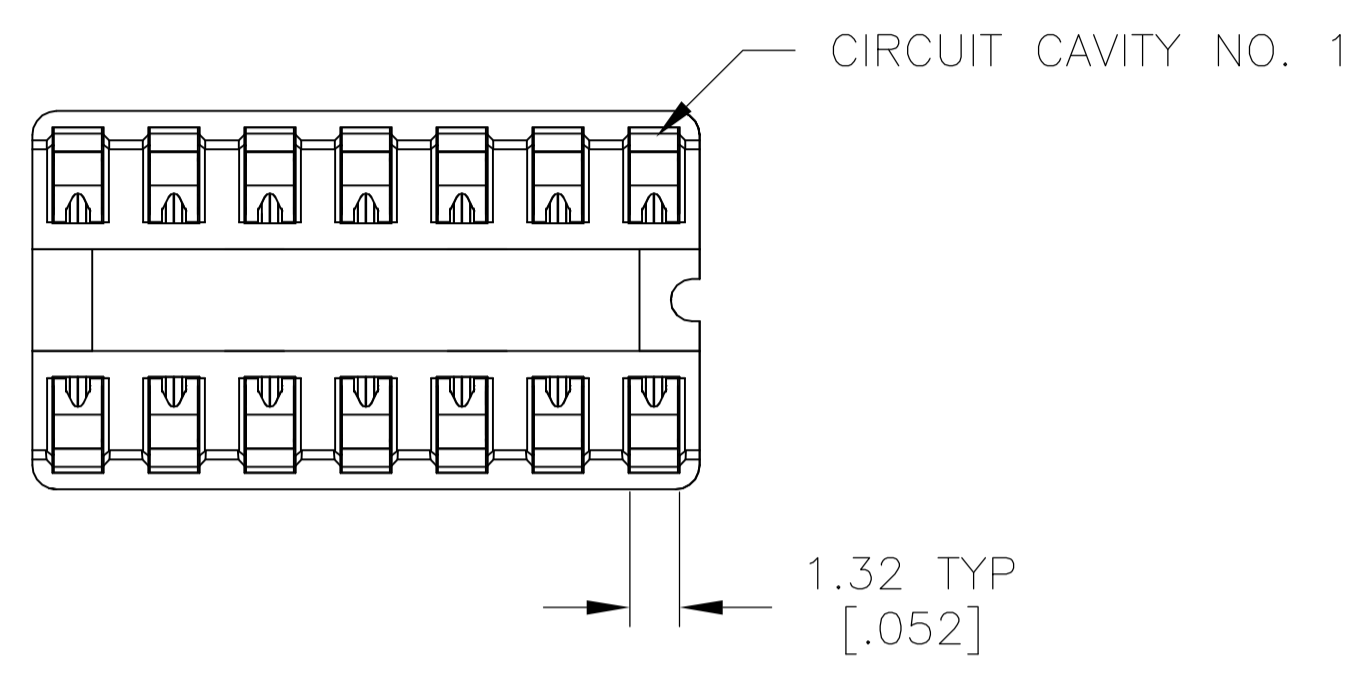
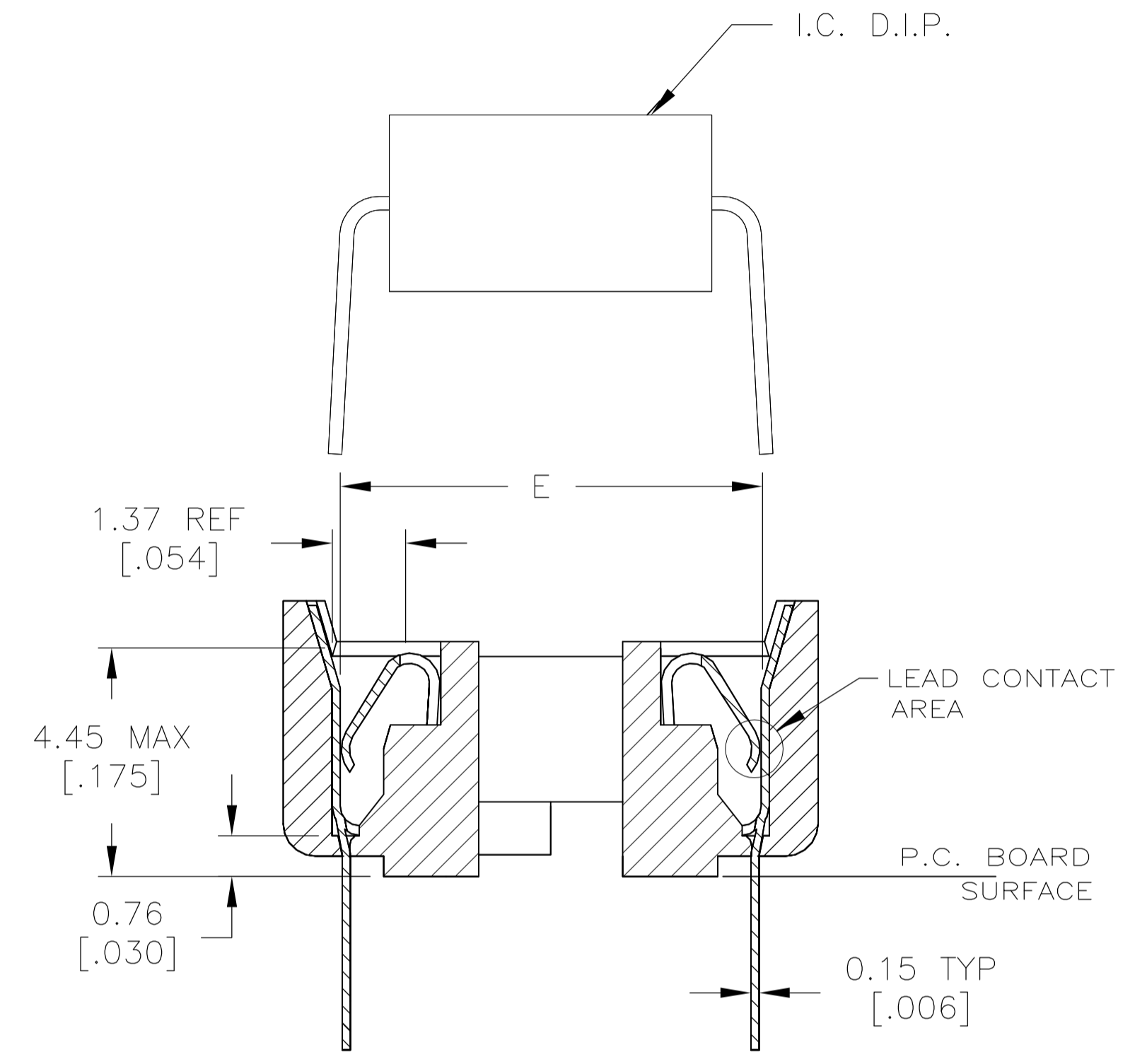


LOC		DIST		REVISIONS			
P	LTR	DESCRIPTION	DATE	DMN	APVD		
E		REV PER OG3C-0162-99	17NOV00	RB	HW		
E1		REVISED PER ECO-09-021510	05SEP09	KK	AEG		
F		ECR-13-018647	14MAR14	W.W.	C.W.		

- RECEPTACLE ACCEPTS A 0.20-0.36 [.008-.014] THICK I.C. LEAD.
- TUBE LOADED FOR AUTOMATIC INSERTION.
- LUBRICANT: MONSANTO OS-138.
- HOUSING: GLASS-FILLED, THERMOPLASTIC, 94V-0, BLACK.
CONTACT: PH BRONZE.
- CONTACT: TINNED.
- OBSOLETE PARTS: OBSOLETE CIS STREAMLINING PER D.RENAUD/D.SINISI



RECOMMENDED MOUNTING HOLE PATTERN
SCALE 4:1



SECTION A-A
SCALE 10:1

△6	OBSOLETE	23.11 [.910]	23.39 [.921]	22.86 [.900]	26.01 [1.024]	81.66 [3.215]	64	6-382568-4
	OBSOLETE	15.49 [.610]	15.77 [.621]	15.24 [.600]	17.63 [.694]	60.83 [2.395]	48	4-382568-8
		15.49 [.610]	15.77 [.621]	15.24 [.600]	17.63 [.694]	50.67 [1.995]	40	4-382568-0
F	OBSOLETE	15.49 [.610]	15.77 [.621]	15.24 [.600]	17.63 [.694]	40.51 [1.595]	32	3-382568-2
		15.49 [.610]	15.77 [.621]	15.24 [.600]	17.63 [.694]	35.43 [1.395]	28	2-382568-8
		15.49 [.610]	15.77 [.621]	15.24 [.600]	17.63 [.694]	30.35 [1.195]	24	2-382568-5
F	OBSOLETE	7.87 [.310]	8.15 [.321]	7.62 [.300]	10.01 [.394]	30.35 [1.195]	24	2-382568-4
	OBSOLETE	10.41 [.410]	10.69 [.421]	10.16 [.400]	12.55 [.494]	27.81 [1.095]	22	2-382568-2
F	OBSOLETE	7.87 [.310]	8.15 [.321]	7.62 [.300]	10.01 [.394]	25.27 [.995]	20	2-382568-0
	OBSOLETE	7.87 [.310]	8.15 [.321]	7.62 [.300]	10.01 [.394]	22.73 [.895]	18	1-382568-8
		7.87 [.310]	8.15 [.321]	7.62 [.300]	10.01 [.394]	20.19 [.795]	16	1-382568-6
	OBSOLETE	7.87 [.310]	8.15 [.321]	7.62 [.300]	10.01 [.394]	17.65 [.695]	14	1-382568-4
	OBSOLETE	7.87 [.310]	8.15 [.321]	7.62 [.300]	10.01 [.394]	10.03 [.395]	8	382568-8
	OBSOLETE	7.87 [.310]	8.15 [.321]	7.62 [.300]	10.01 [.394]	7.49 [.295]	6	382568-6
		E	D	C ±0.20 [±.008]	B	A	POSN	PART NUMBER

THIS DRAWING IS A CONTROLLED DOCUMENT.

DIMENSIONS: INCHES	TOLERANCES UNLESS OTHERWISE SPECIFIED:	DIN R BROWN 17NOV00	APVD H WYNKOOP 17NOV00	NAME	SOCKET ASSY, DIP, SPCL LUBE, DIPLOMATE™ DL
0. PLC ± -	1. PLC ± -	2. PLC ± 0.13 [.005]	3. PLC ± -	4. PLC ± -	ANGLES ± -
MATERIAL: SEE NOTE 4	FINISH: SEE NOTE 5	WEIGHT: -	SIZE: 114-1049	SCALE: 5:1	SHEET 1 OF 1

Customer Drawing: A1 00779 C=382568