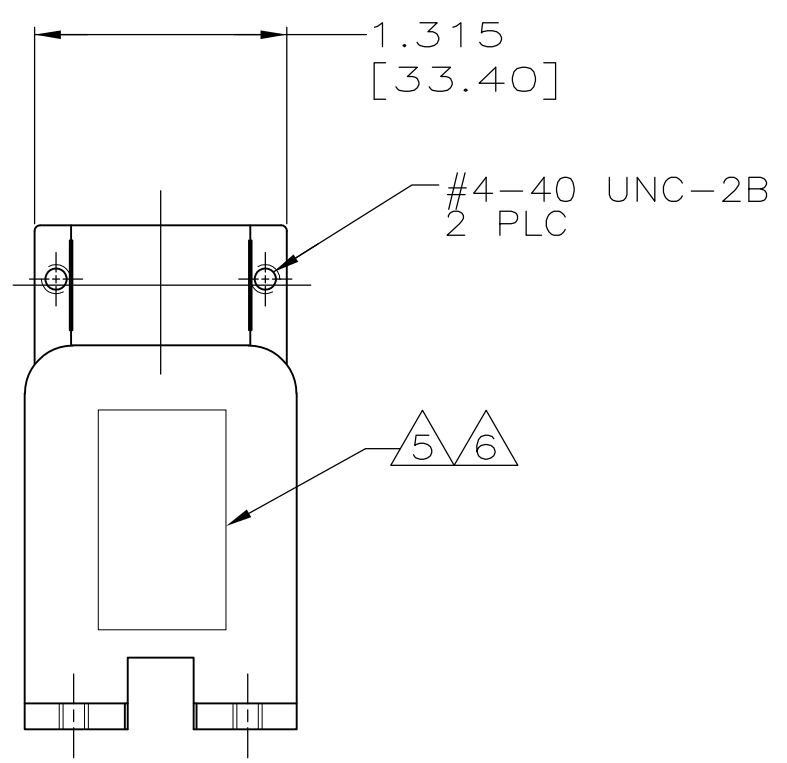
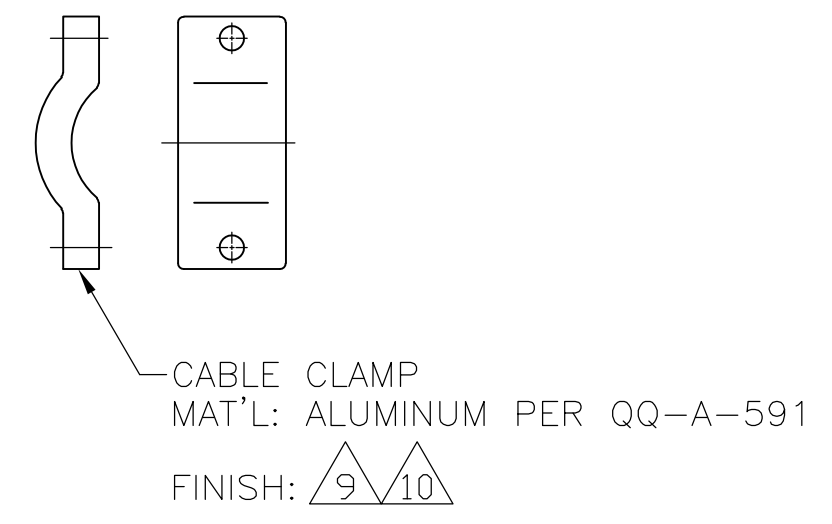
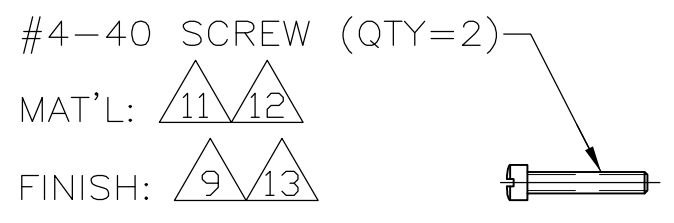
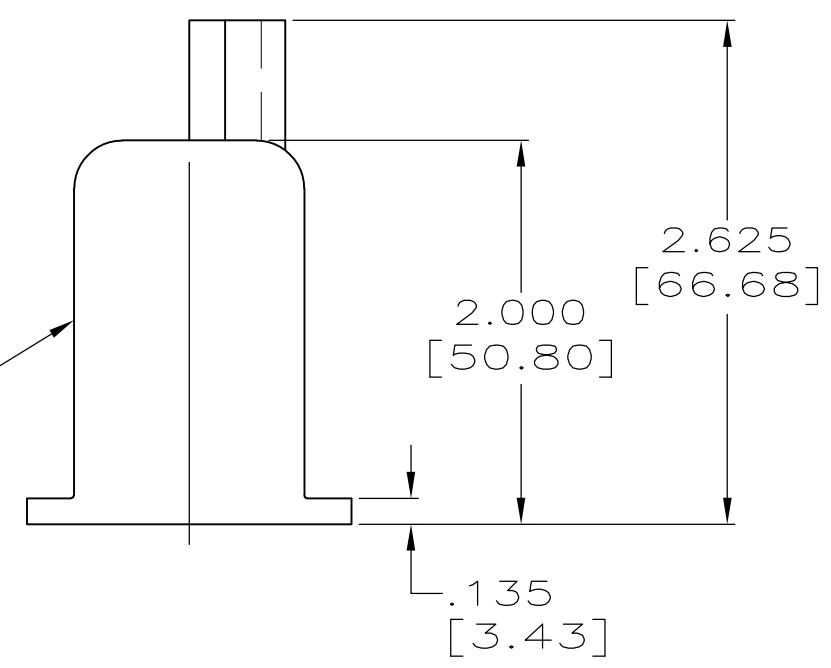
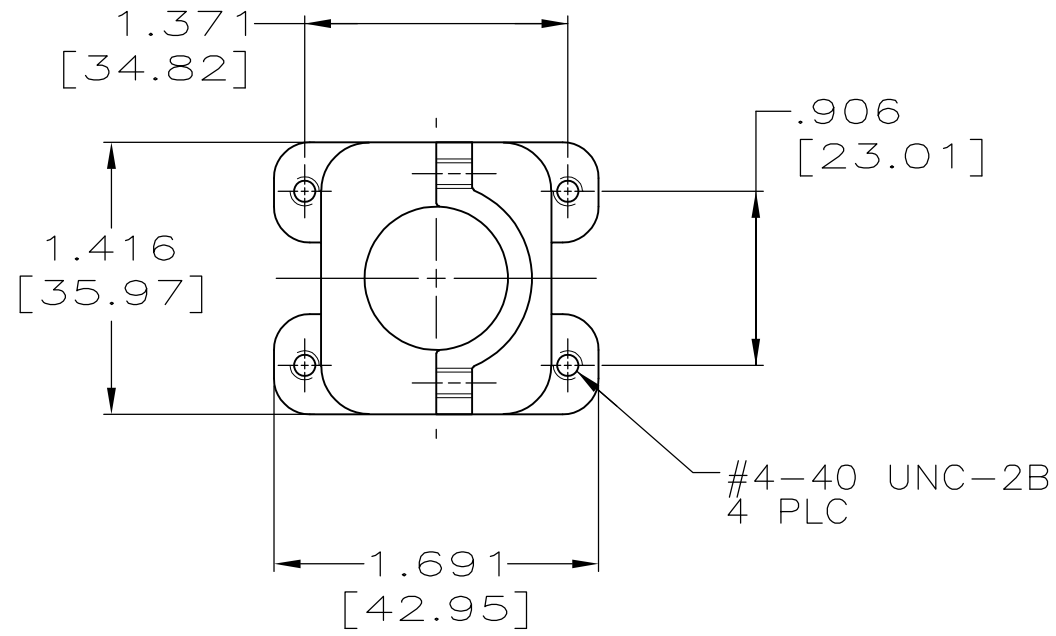
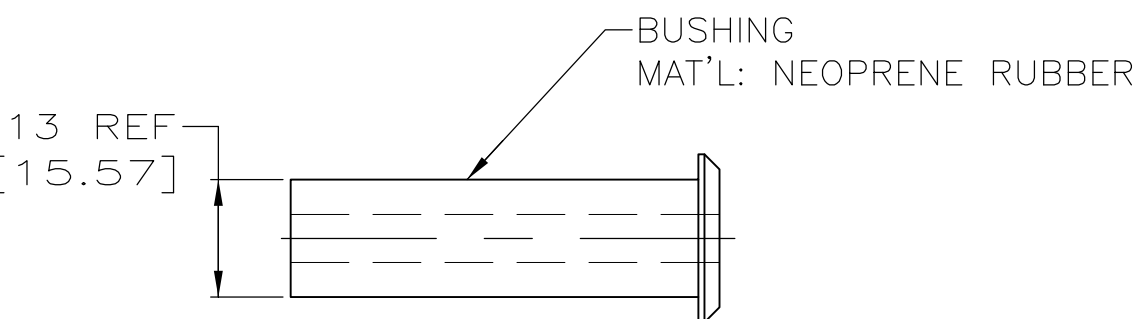
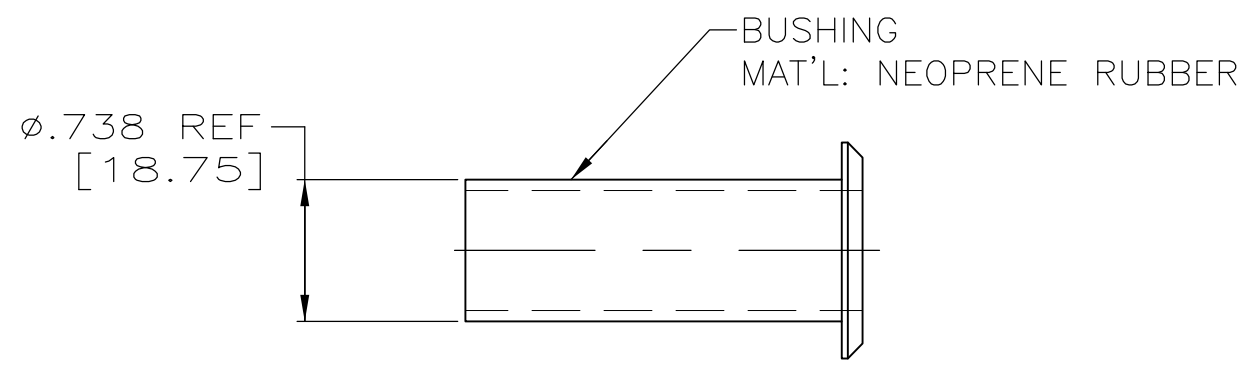


THIS DRAWING IS UNPUBLISHED. RELEASED FOR PUBLICATION - N/A .
 © COPYRIGHT N/A BY TYCO ELECTRONICS CORPORATION. ALL RIGHTS RESERVED.

LOC	DIST	REVISIONS			
P	LTR	DESCRIPTION	DATE	DWN	APVD
DF	B0	H	REV PER ECO-08-021090	15SEP08	PK DE



- SHIELD KIT TO ACCOMMODATE SERIES "G" PLUG OR RECEPTACLE ASSEMBLY.
- PARTS PACKAGED UNASSEMBLED.
- STANDARD PACKAGING (ONE KIT PER BAG).
- BULK PACKAGE.
- AMP, 202764-2, DATE CODE AND CAGE CODE 00779 MARKED ON EITHER SIDE.
- AMP, 202764-1, DATE CODE AND CAGE CODE 00779 MARKED ON EITHER SIDE.
- AMP, 5-202764-2, DATE CODE AND CAGE CODE 00779 MARKED ON EITHER SIDE.
- AMP, 5-202764-1, DATE CODE AND CAGE CODE 00779 MARKED ON EITHER SIDE.

- 9 ZINC PLATE PER ASTM-B-633, .0002-.0004 THK.
- 10 ELECTROLESS NICKEL PLATE PER SAE-AMS-C-26074, .0004-.0008 THK (NO INTENTIONAL ADDITIONS OF LEAD OR CADMIUM PER DFE STANDARD 230-700).
- 11 CARBON STEEL.
- 12 STAINLESS STEEL.
- 13 PASSIVATED.

REMARKS	DESCRIPTION	PART NUMBER
	AS SHOWN	5-202764-3
	WITHOUT RUBBER BUSHINGS	5-202764-2
	AS SHOWN	5-202764-1
SUPERSEDED BY 5-202764-3	AS SHOWN	202764-3
SUPERSEDED BY 5-202764-2	WITHOUT RUBBER BUSHINGS	202764-2
SUPERSEDED BY 5-202764-1	AS SHOWN	202764-1

THIS DRAWING IS A CONTROLLED DOCUMENT.

DWN	C.C.THOMAS	11-MAR-98	Tyco Electronics Corporation Harrisburg, Pa 17105-3608
CHK	B.KROH	12-MAR-98	
APVD	B.KROH	12-MAR-98	
PRODUCT SPEC			
APPLICATION SPEC			NAME
			SHIELD KIT FOR SERIES G 1 BLOCK ASSY
MATERIAL			SIZE
			A2
			CAGE CODE
			00779
			DRAWING NO
			C=202764
			RESTRICTED TO
			SCALE
			1:1
			SHEET
			1 OF 1
			REV
			H