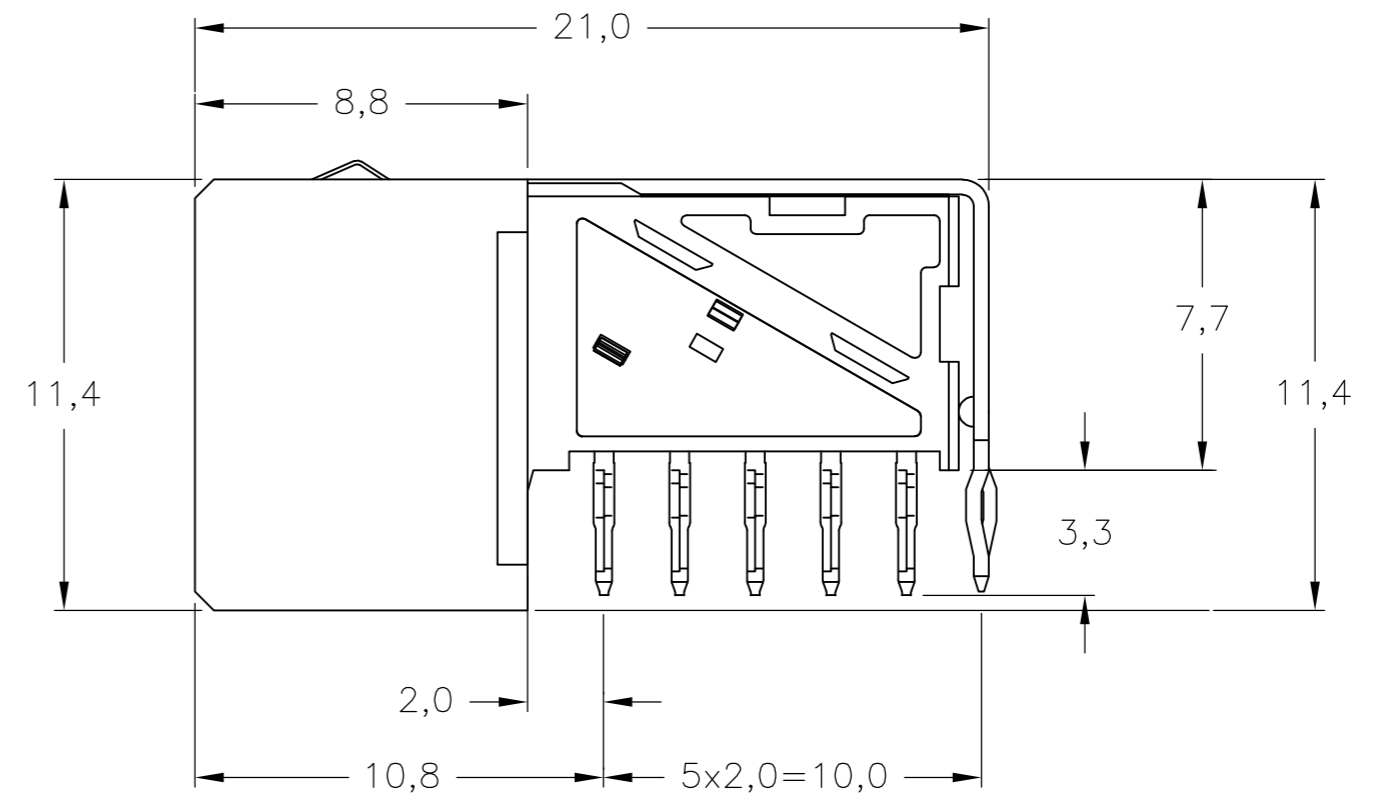
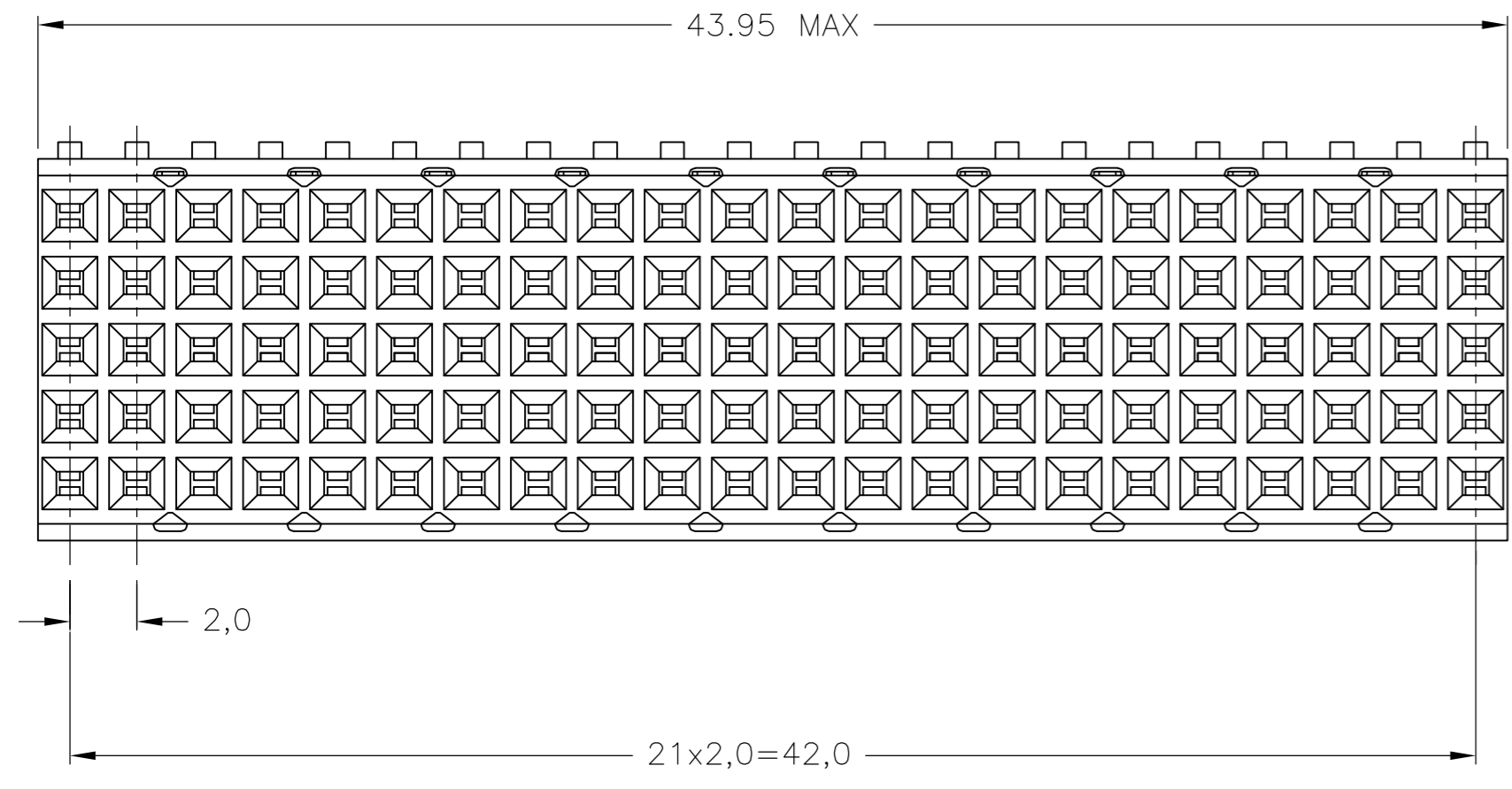
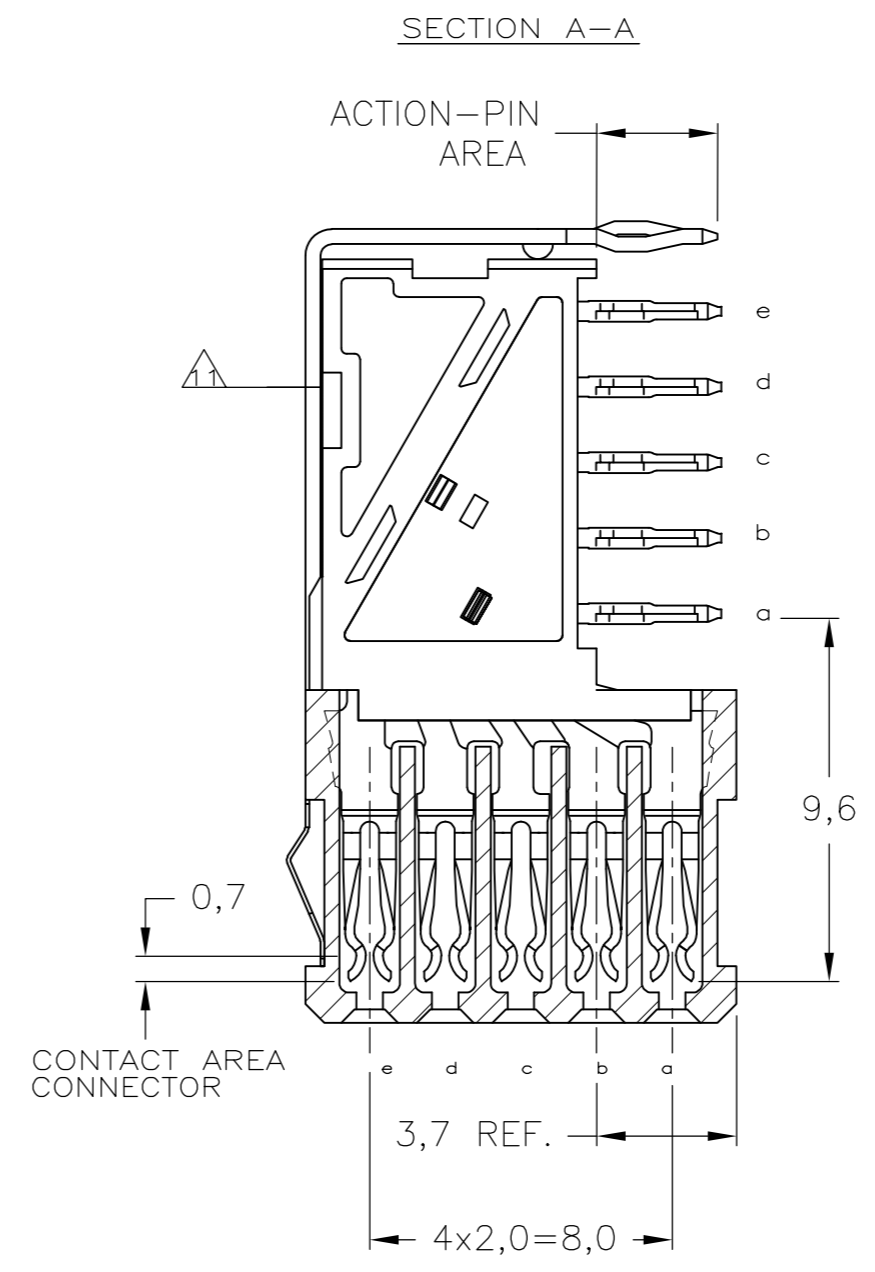
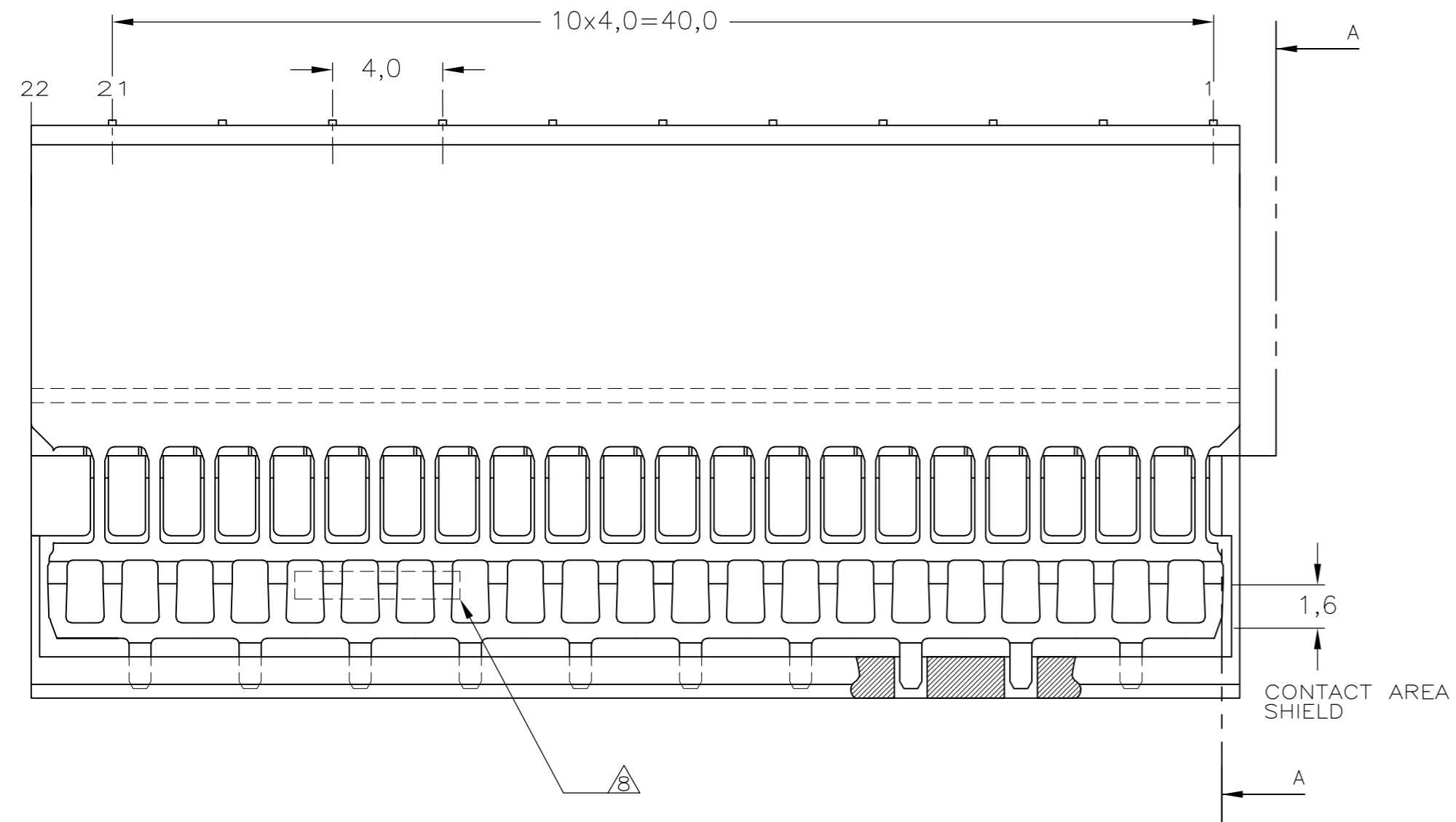


THIS DRAWING IS UNPUBLISHED. RELEASED FOR PUBLICATION
 © COPYRIGHT - By - ALL RIGHTS RESERVED.

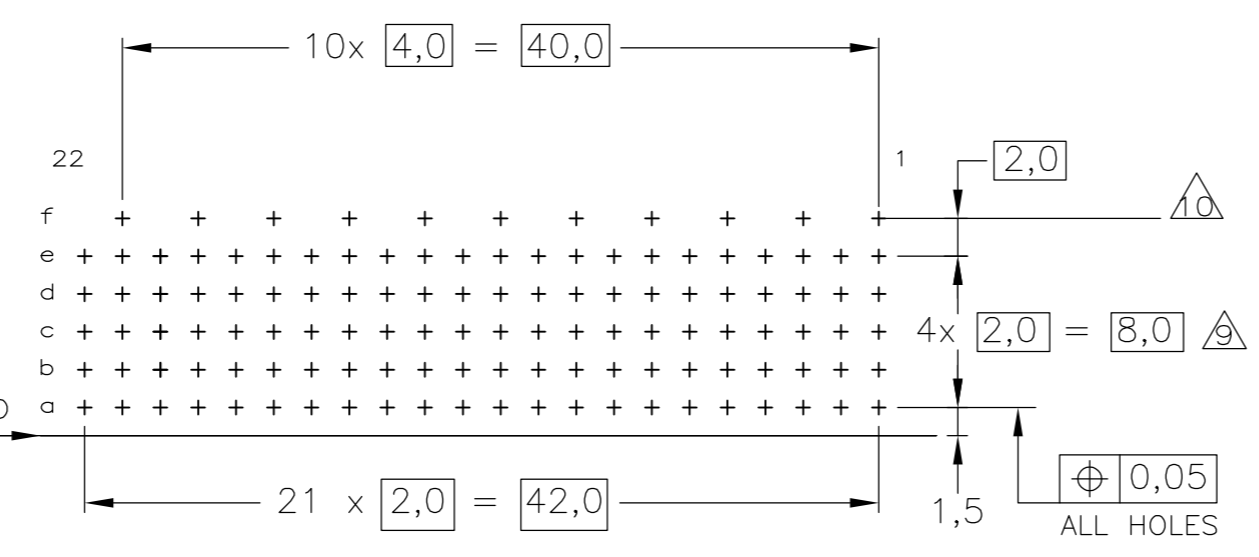
LOC		DIST		REVISIONS			
P	LTR	DESCRIPTION	DATE	DWN	APVD		
E		REVISED PER ECR-12-008341	07MAY2012	SY	MQW		

NOTES:

- ⚠ MATERIAL CONTACTS; PHOSPHORBRONZE
- ⚠ MATERIAL HOUSING; GLASSFILLED POLYESTER (GRAY)
- ⚠ GENERAL PLATING SPECIFICATION: UNDERPLATING (ENTIRE CONTACT):
1,27µm NICKEL MIN. AND ACTION PIN: 0,5µm TIN MIN.
FOR PLATING OF MATING SURFACES SEE APPLICABLE SPECIFICATION REFERENCE FOR EACH DASH NUMBER.
- ⚠ CONFORMS TO ALL TESTING ACCORDING IEC 61076-4-101 PERFORMANCE LEVEL 2.
- ⚠ CONFORMS TO ALL TESTING ACCORDING IEC 61076-4-101 PERFORMANCE LEVEL 1.
- ⚠ CONNECTOR TESTED AND QUALIFIED AGAINST TELCORDIA GR-1217-CORE QUALITY LEVEL III, CENTRAL OFFICE APPLICATIONS.
- ⚠ CONNECTOR LUBRICATED WITH TELCORDIA GR-1217-CORE APPROVED LUBRICANT.
- ⚠ PLATING SHIELD:
CONTACT AREA: 0,76µm Au MIN.
ACTION PIN : 0,5µm Sn MIN.
REMAINDER : Ni
- ⚠ ASSEMBLY PRINTED WITH P/N AND DATECODE
THE MARKING CAN APPEAR ON THE FRONT SIDE OR BACK SIDE.
- ⚠ HOLE PATTERN FOR FEMALE CONNECTOR TYPE B-22 COLUMNS
110 PLATED-THROUGH HOLES AT 2x2mm SQUARE GRID
- ⚠ ROW "f" 11 PLATED THROUGH HOLES FOR UPPERSHIELD
- ⚠ SHIELD MOUNTED ON CONNECTOR WITH DOUBLE SIDED ADHESIVE TAPE OR ADHESIVE
- 12 BASIC P.N. LOWERSHIELD : 5352468.
- ⚠ OBSOLETE PARTS: OBSOLETE CIS STREAMLINING PER D.RENAUD/D.SINISI
- ⚠ 0.76µm MIN GOLD PLATING AT MATING SURFACE



COMPONENT SIDE AS SHOWN
RECOMMENDED PCB-HOLE LAY-OUT
SCALE 2,5:1



P.C.B. HOLE DIM. ACTION PIN
FOR DETAILS SEE
APPLICATION SPECIFICATION

13	OBSOLETE	⚠⚠⚠⚠	⚠	3-5352152-0
		⚠⚠⚠⚠	⚠	5352152-9
		⚠⚠⚠	⚠	5352152-4
		⚠⚠	⚠	5352152-1
		FINISH	MATERIAL	PART NUMBER

THIS DRAWING IS A CONTROLLED DOCUMENT.

DIMENSIONS: mm	TOLERANCES UNLESS OTHERWISE SPECIFIED: ±0.2	DWN: K.N.KIRAN 20AUG2004	TE Connectivity	
		CHK: B.MOOIJ 27OCT2004	Z-PACK 2mm HM	
		APVD: B.MOOIJ 27OCT2004	TYPE B - 22 COLUMNS	
		PRODUCT SPEC: 108-19082	PRE-SHIELDED RECEPTACLE	
		APPLICATION SPEC: 114-19029	SIZE: A2	RESTRICTED TO: -
MATERIAL: -	FINISH: -	WEIGHT: -	CAGE CODE: 00779	DRAWING NO: C=5352152
		CUSTOMER DRAWING	SCALE: 5:1	SHEET: 1 OF 1