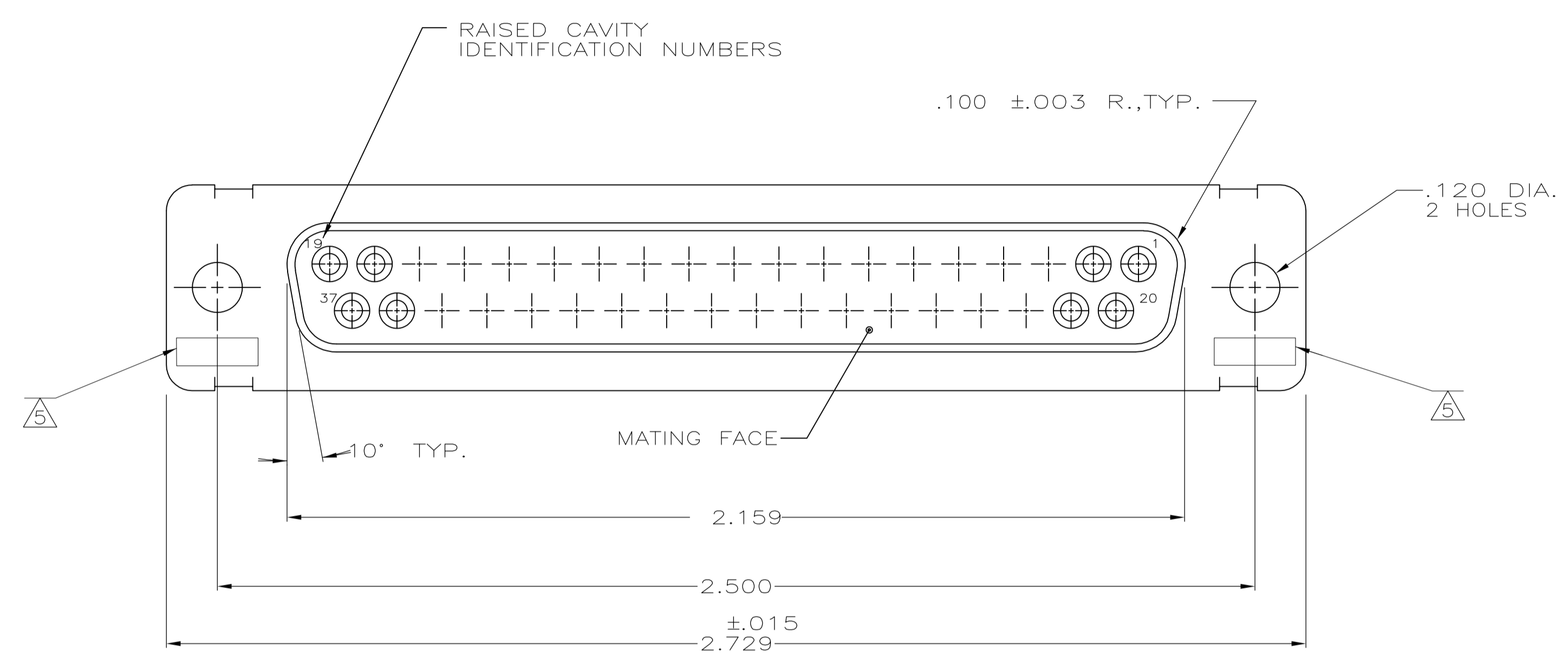
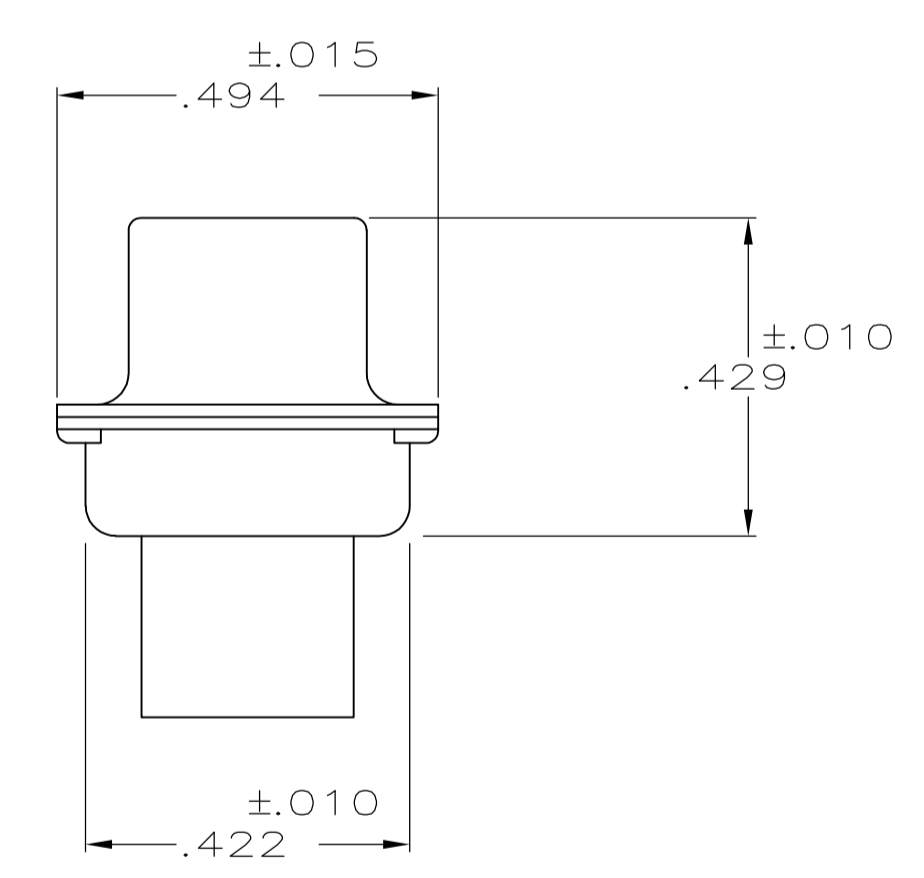
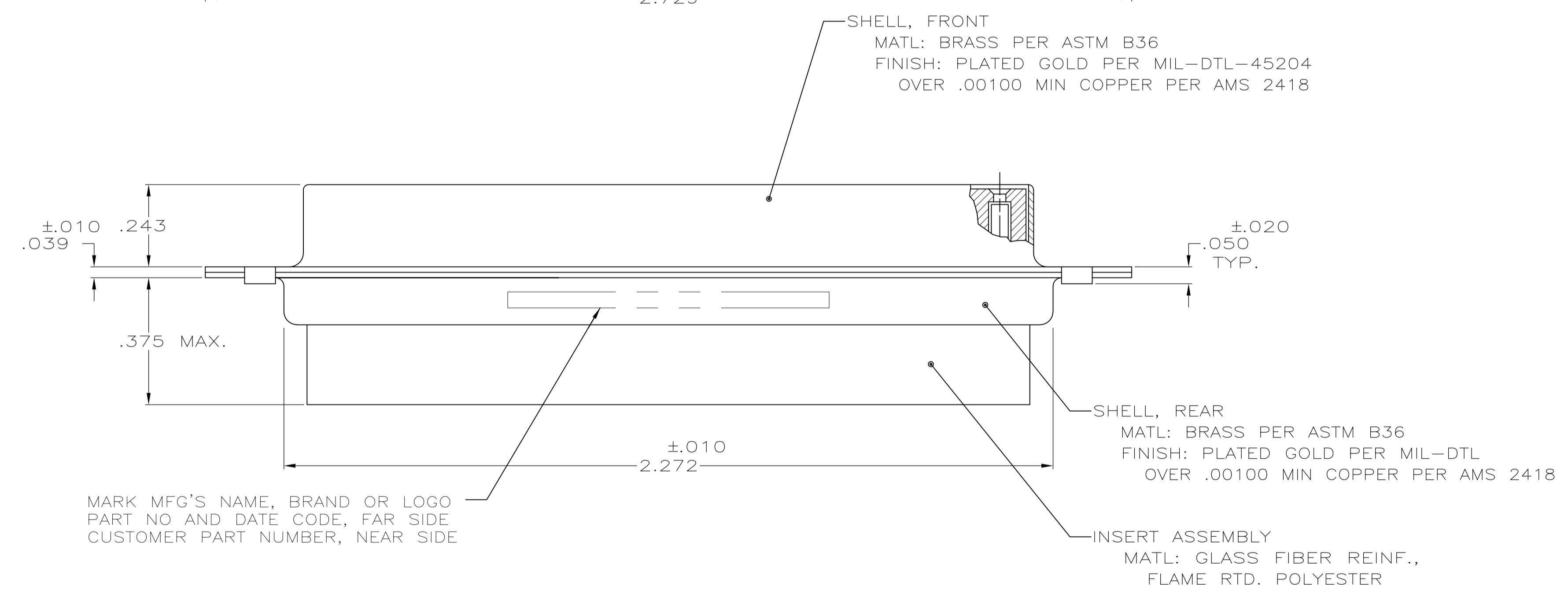


LOC		DIST		REVISIONS			
P	LTR	DESCRIPTION	DATE	DN	APVD		
E		REV PER ECO-08-030664	17APR09	PY	RL		



1. THIS RECEPTACLE WILL MATE WITH ANY 37 POSN., SIZE 4 PLUG IN THE AMPLIMITE SERIES.
  2. MAXIMUM WIRE INSULATION USED WITH THIS CONNECTOR IS .068 DIA.
  3. BE-CU RETENTION CLIPS ARE INCLUDED IN INSERT.
  4. CONNECTOR SUPPLIED WITHOUT CONTACTS; SHOWN FOR ILLUSTRATION ONLY.
- ⚠ UL/CSA DESIGNATION STAMPED IN THIS AREA, OPTIONAL



1A01-004RHW	1-211616-1
1A01-004RHA	211616-1
CUSTOMER PART NO	PART NO

THIS DRAWING IS A CONTROLLED DOCUMENT.

DIMENSIONS: INCHES	TOLERANCES UNLESS OTHERWISE SPECIFIED:	DIN T. SHUEY 11-13-87	11-30-87	Tyco Electronics Corporation Harrisburg, PA 17105-3608
0 PLC ± -	1 PLC ± -	CHK F.C. BALLEW 11-30-87	11-30-87	
2 PLC ± -	3 PLC ± .005	APVD F.C. BALLEW III 11-30-87		RECEPTACLE ASSEMBLY, AMPLIMITE 37 POSN, SIZE 4, SERIES 109 NON-MAGNETIC
4 PLC ± -	ANGLES ± °	PRODUCT SPEC	APPLICATION SPEC	
MATERIAL SEE CALLOUTS	FINISH -	WEIGHT -	SIZE A1	CAGE CODE 00779
CUSTOMER DRAWING		SCALE 4:1	SHEET 1 OF 1	REV E