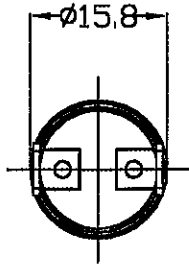


ALL DIMENSIONS ARE FOR REFERENCE ONLY

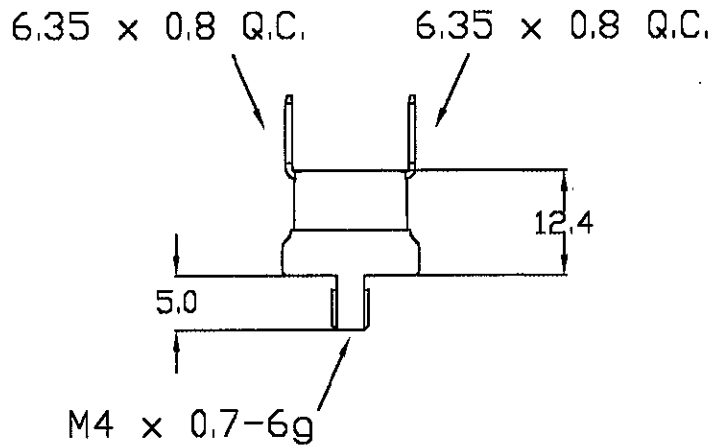
DO NOT SCALE DRAWING

ALL DIMENSIONS IN mm UNLESS STATED



OPERATING CRITERIA	
VOLTS;	220VAC
AMPS;	15A
OPERATING CRITERIA	
OPEN;	75°±3°C
CLOSE;	65±4°C

SPECIAL ARRANGEMENTS
15A TO BE INCLUDED IN CODING



DRAWN BY:
G.D

ISSUE MOD No. MTH/YR				
----------------------	--	--	--	--

CODING REQUIREMENTS COLOUR, - L75C 9913-401 15A-UXX (XXX = DATE CODING)	CAP, MAT'L, BRK'T, B901 MAT'L, BRASS PLATING,	ELMWOOD DEVICE & UNIQUE PART NUMBER 2455R-9913-401	DATE OF ISSUE STAMP 24 JAN 2002
	TERMINAL, T147 MATERIAL, BRASS PLATING, -		ELMWOOD DRG No. 020017