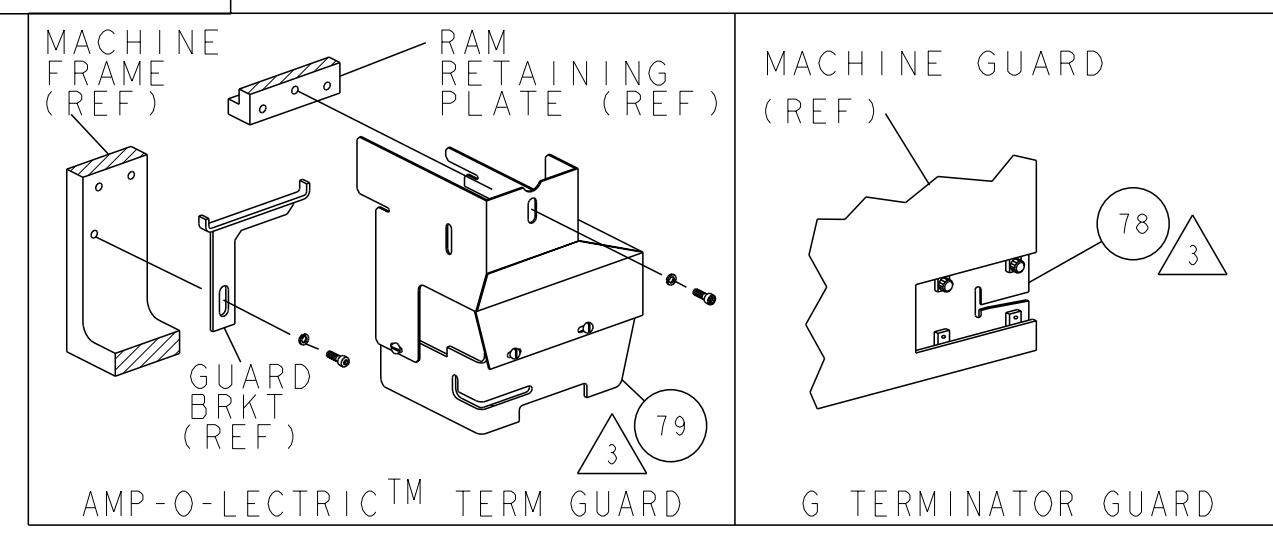
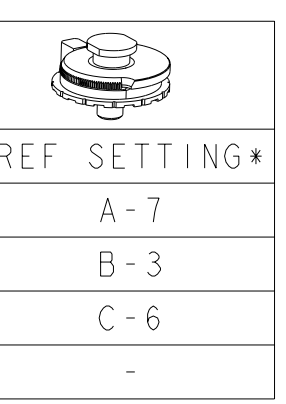


PART NUMBER	REV	FIRST USED	POWER UNIT	FEED TYPE
1855684-1	A	122500-1	LEADMAKER & BENCH MODEL G	POST FEED
1855684-2	A	565435-5	BENCH MODEL K	POST FEED
7-1855684-7	A	-	SPARE PARTS	-

- 1 RECOMMENDED SPARE PARTS
- 2 GREASE LIGHTLY
- 3 GUARD MUST BE IN PLACE WHEN OPERATING APPLICATOR IN A BENCH MACHINE
- 4 IDENTIFICATION PLATE MUST BE PLACED ON THE BACK OF THE APPLICATOR HOUSING WITH ITEM 100.

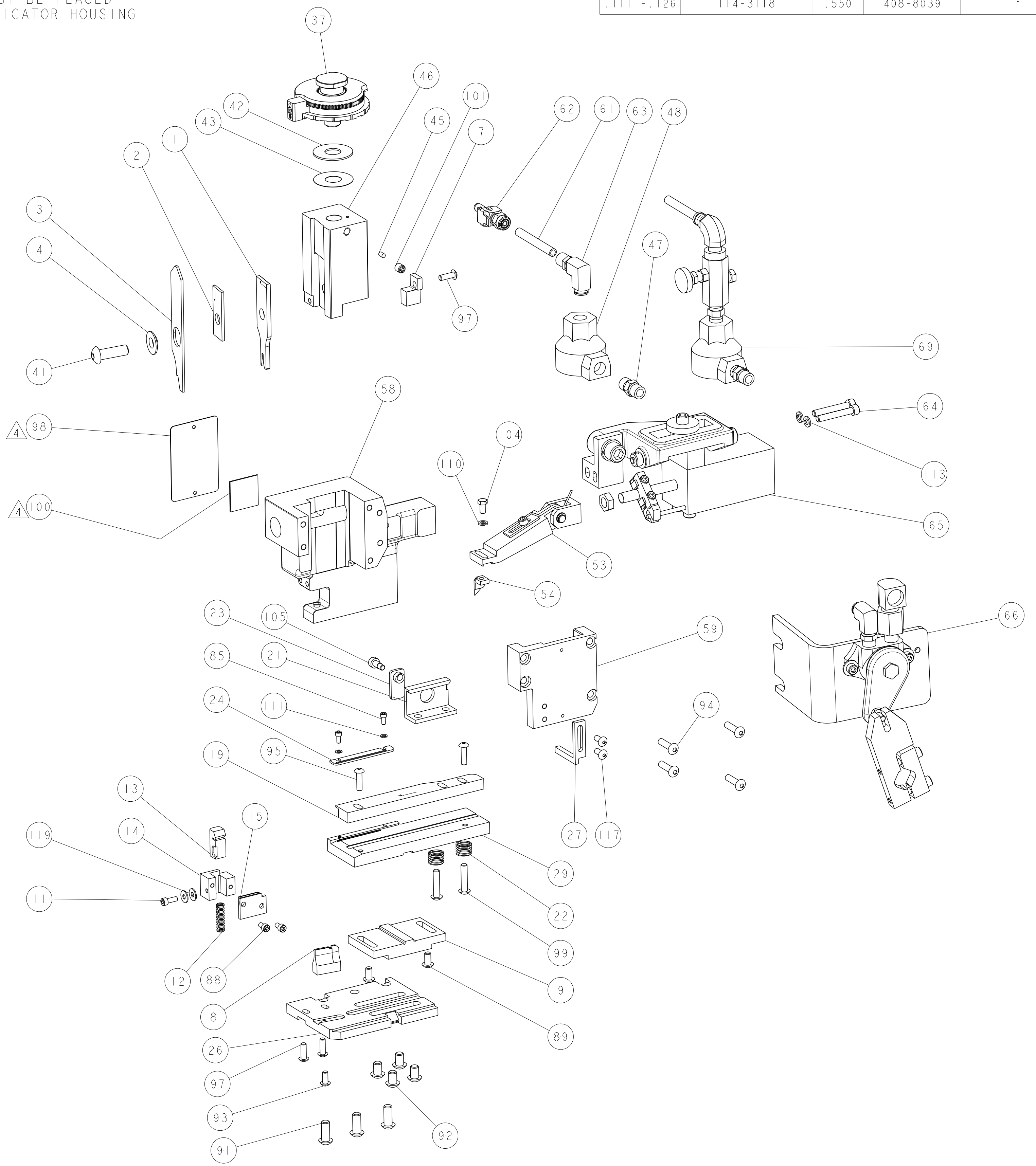


TERMINAL NAME: MT-EDGE-CRIMP-CONTACT					
926770-1					
TE TERMINAL - TE CRIMP SPECS					
		CRIMP HEIGHT	WIRE SIZE	REF SETTING*	
-	-	.049±.002 [1.25±0.05mm]	0.75mm2	A-7	
-	-	.046±.002 [1.17±0.05mm]	0.5mm2	B-3	
-	-	.039±.002 [1.00±0.05mm]	0.37mm2	C-6	
		CRIMP	SIZE	TYPE	RANGE
-	-	WIRE	.070 [1.78mm]	F	0.37-0.75mm2
-	-	INSUL	.090 [2.29mm]	O	2.0-2.5mm2
WIRE STRIP LENGTH		TERM APPL SPEC	FEED	APPL INSTRUCTIONS	SET UP GAGE
.111 - .126		114-3118	.550	408-8039	-



LOC	DIST	REVISIONS				
A	66	REV	DESCRIPTION	DATE	OWN	APVD
		A	RELEASED	11JUL2014	LG	TE

*WARNING:
ON INSTALLATION, SET WIRE DISC TO LARGEST WIRE SIZE SETTING. USE OF SETTINGS BELOW MIN REQUIRED CRIMP HEIGHT SETTING WILL CAUSE DAMAGE TO CRIMP TOOLING.



-	2	2	-	21055-5	WASHER, FLAT, REG NO 6	119
-	2	2	-	2-21002-1	SCR, BTN SKT HD CAP 8-32 X .375	117
-	2	2	-	21024-5	WASHER, SPRG LOCK, REG NO 10	113
-	2	2	-	21024-2	WASHER, SPRG LOCK, REG NO 4	111
-	1	1	-	21024-4	WASHER, SPRG LOCK, REG NO 8	110
-	1	1	-	22353-8	SCR, SHLD, SLOT HD, 3/16 DIA	105
-	1	1	-	2-22603-0	SCREW, MACH, HEX HD, 8-32 X .312	104
-	1	1	-	21009-2	SCR, SET, SELF LOCKING 1/4-20 X .250	101
4	AR	AR	--	982057-2	TAPE, FOAM	100
-	2	2	-	3-21002-0	SCR, BTN SKT HD CAP 10-32 X .875	99
4	1	1	-	461264-5	PLATE, IDENTIFICATION	98
-	3	3	-	2-21002-2	SCR, BTN SKT HD CAP 8-32 X .500	97
-	2	2	-	2-21002-3	SCR, BTN SKT HD CAP 8-32 X .625	95
-	4	4	-	2-21002-9	SCR, BTN SKT HD CAP 10-32 X .750	94
-	1	1	-	22733-8	SCR, BHSC, SELF-LOCKING, 8-32 X .375	93
-	4	4	-	3-21002-2	SCR, BTN SKT HD CAP 1/4-20 X .375	92
-	3	3	-	2-22733-8	SCR, BHSC, SELF-LOCKING, 1/4-20 X .625	91
-	2	2	-	2-21002-6	SCR, BTN SKT HD CAP 10-32 X .375	89
-	2	2	-	1-21000-8	SCR, SKT HD CAP 6-32 X .250	88
-	2	2	-	1-21000-3	SCR, SKT HD CAP 4-40 X .250	85
3	1	-	..	455745-1	GUARD WINDOW	79
3	-	REF	..	679532-1	INSERT, GUARD	78
-	1	1	-	217238-1	GENERAL INSTRUCTION PKG	71
-	1	-	-	692655-5	AIR FEED VALVE ASSEMBLY	69
-	REF	-	..	692655-6	AIR FEED VALVE ASSEMBLY	66
-	1	1	-	1-460277-6	AIR FEED ASSY	65
-	2	2	-	4-21000-0	SCR, SKT HD CAP 10-32 X 1.250	64
-	1	1	-	980285-2	CONNECTOR, ELBOW, 90°, MINI	63
-	1	1	-	23238-1	INSERT, COUPLING	62
-	2	2	FT	27319-4	TUBING, POLY-FLO, NATURAL	61
-	1	1	-	458268-4	CAP, RAM	59
-	1	1	-	458267-1	HOUSING, APPLICATOR	58
-	1	1	-	2-694433-8	FEED PAWL	54
-	1	1	-	461062-1	FEED FINGER ASSEMBLY	53
-	1	1	-	22374-7	VALVE, QUICK EXHAUST	48
-	1	1	-	22304-1	NIPPLE, HEX, PIPE FITTING	47
-	1	1	-	2280159-1	RAM, SPECIAL	46
-	1	1	-	690191-1	PLUG, NYLON	45
-	1	1	-	690125-1	SHIM SUB-ASSY	43
-	1	1	-	1-469367-1	SHIM	42
-	1	1	-	7-21002-9	SCR, BTN SKT HD CAP 5/16-24 X 1.00	41
-	1	1	-	879103-3	FINE ADJUST HEAD ASM	37
-	1	1	-	356350-1	PLATE, STRIP GUIDE	29
-	1	1	-	679428-2	STRIPPER	27
-	1	1	-	2280160-1	BASE PLATE	26
-	1	1	-	690438-1	FRONT STRIP GUIDE	24
-	1	1	-	356835-1	LEVER, DRAG RELEASE	23
-	2	2	-	1-22284-0	SPRING, COMPRESSION	22
-	1	1	-	240792-1	DRAG, TERMINAL	21
-	1	1	-	5-458031-1	STRIP GUIDE, FRONT	19
1	1	1	-	354905-1	SHEAR PLATE, REAR	15
1	1	1	-	354906-1	SHEAR, FLOATING SIDE	14
1	1	1	-	679296-1	SHEAR, REAR FLOATING	13
1	1	1	-	3-22280-3	SPRING, COMPRESSION	12
1	1	1	-	1-21000-9	SCR, SKT HD CAP 6-32 X .375	11
1	1	1	-	356351-1	BLOCK, BASE	9
1	1	1	-	679328-2	ANVIL	8
1	1	1	-	356420-1	DEPRESSOR, SIDE	7
1	1	1	-	1-238009-7	BLOCK, FL CRIMPER SPACER	4
1	1	1	-	679324-2	CRIMPER, INSULATION	3
1	1	1	-	4-690407-4	SPACER, CRIMPER	2
1	1	1	-	356636-1	CRIMPER, WIRE PREMIUM	1
-77	-2	-1	U/M	PART NO	DESCRIPTION	ITEM NO

DIMENSIONS: INCHES 		TOLERANCES UNLESS OTHERWISE SPECIFIED: 0 PLC ±.1 1 PLC ±0.01 2 PLC ±0.01 3 PLC ±0.001 4 PLC ±0.0001 ANGLES ±.1°		DWG: R. STAKEM 08APR2014 CHK: G. BAILEY 08APR2014 APVD: J. ELBIN 08APR2014 PRODUCT SPEC: - APPLICATION SPEC: - WEIGHT: - MATERIAL: -		TE Connectivity Harrisburg, PA 17105-3608 NAME: FINE ADJUST END FEED HDM APPLICATOR SIZE: A1 CAGE CODE: 00779 DRAWING NO: 1855684 SCALE: 3:5 SHEET: 1 of 1 REV: A	
CUSTOMER ACCESSIBLE PRODUCTION DRAWING				RESTRICTED TO: -			