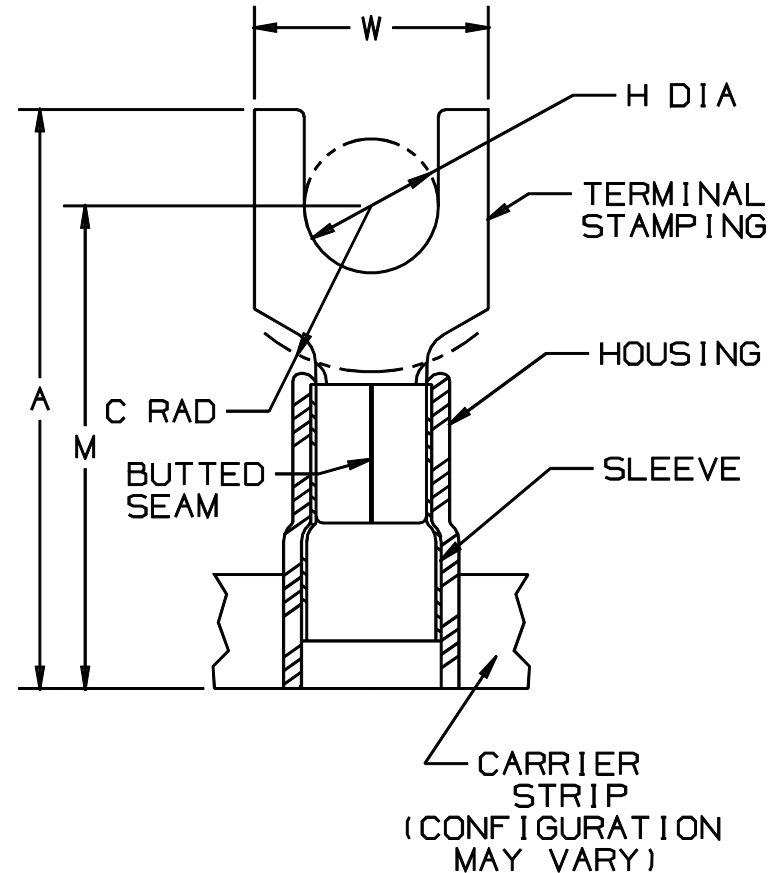


THIS COPY IS PROVIDED ON A RESTRICTED BASIS AND IS NOT TO BE USED IN ANY WAY DETRIMENTAL TO THE INTERESTS OF PANDUIT CORP.

PANDUIT PART NUMBER		STUD SIZE	DIMENSIONS in.				
PREFIX	PK		A ^{±.03} _(.8)	W ^{±.01} _(.8)	C ^{±.02} _(.4)	M ^{±.03} _(.8)	H ^{±.01} _(.8)
PN18-6FN	-3K	#6	.78 (19.8)	.25 (6.4)	.20 (5.1)	.64 (16.3)	.15 (3.8)
PN18-6F	-3K	#6	.78 (19.8)	.30 (7.6)	.20 (5.1)	.64 (16.3)	.15 (3.8)
PN18-8F	-3K	#8	.84 (21.3)	.32 (8.1)	.23 (5.8)	.68 (17.3)	.17 (4.3)
PN18-10F	-3K	#10	.86 (21.8)	.35 (8.9)	.25 (6.4)	.70 (17.8)	.20 (5.1)
PN18-10FN	-3K	#10	.86 (21.8)	.31 (7.9)	.25 (6.4)	.70 (17.8)	.20 (5.1)
PN18-14F	-3K	1/4"	1.03 (26.2)	.44 (11.2)	.33 (8.4)	.78 (19.8)	.27 (6.9)

NOTES:

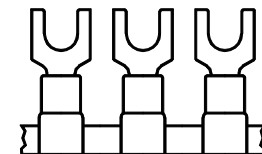
- USED FOR:
 - A. 600V MAX VOLTAGE RATING
 - B. 221°F (105°C) MAX TEMP RATING
 - C. 22-18 AWG (.5-1.5mm²) SOLID OR STRANDED COPPER WIRE
- INSTALLATION TOOLS:
 - A. PRESSES - CP-851, CP-860, CP-861
 - B. APPLICATOR - CA-800
 - C. DIE INSERTS - CD-800-1
- WIRE STRIP LENGTH: 7/32 ^{+1/32}_{.0} (5.6 ^{+.8}_{.0})
- MAX WIRE INSULATION DIA: .145 (3.68)
MIN WIRE INSULATION DIA: .080 (2.03)
- MATERIAL:
 - A. TERMINAL STAMPING: .032 (.81) THICK TIN PLATED COPPER
 - B. HOUSING : RED NYLON
 - C. SLEEVE : TIN PLATED BRASS
- PACKAGING:
 - A. BULK ONLY: -3K = 3000 PCS ON CONTINUOUS MOLDED CARRIER STRIP
- DIMENSIONS IN BRACKETS ARE IN MILLIMETERS OR mm²



LISTED
587H
E52164



CERTIFIED
LR31212



A41096_05

05	12/00	ED		FILESPEC WAS: N41096AA_PCD_04	08925			<p>TINLEY PARK, ILLINOIS</p> <p>REELSMART™ TERMO™ 3PC. CONTINUOUSLY MOLDED NYLON INSULATED, 22-18 BARREL, FORK TERMINALS</p>
04	11/96	JB		ADDED NOTE *MIN WIRE INSULATION DIA .080(2.03)	05415			
03	7/95	MC	RLS	UPDATED NOTES AND DIMENSIONS	03429	TJP	KS	
REV	DATE	BY	CHK	DESCRIPTION	ECN #	APP	PM	DRAWN BY: JMV CDR'D: NONE SCALE: NONE DRAWING NO.: A41096