



Copyright FCi.

A

B

C

D

A

B

C

D

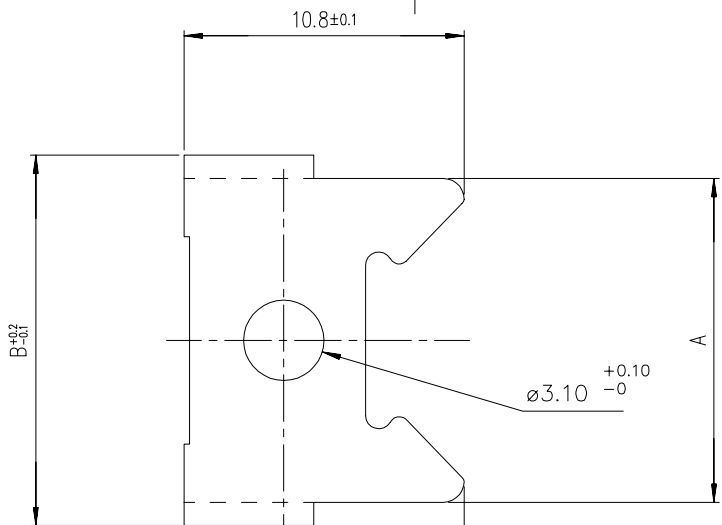
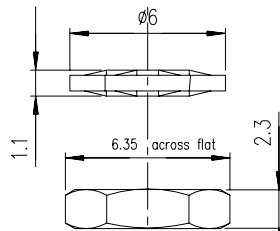
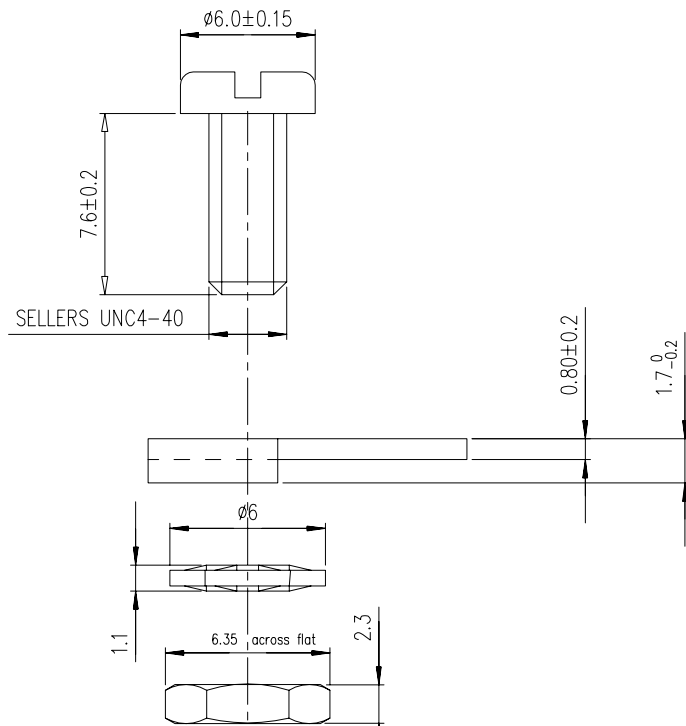
1

2

3

4

PLATING : zinc



7.6±0.20

PART NUMBER	PACKAGING	A	B
86303425060	per 100 pieces	12.50	14.30
86303426060	per 100 pieces	15.40	18.00

European Views

www.fciconnect.com		surface ISO 1302	tolerance std ISO 406 ISO 1101	projection ISO 1101	mm
		TOLERANCES UNLESS OTHERWISE SPECIFIED			
Dr	JARRY	1997/06/11	ANGULAR	0.X	±0.1
Eng	PESSON	1997/06/11	LINEAR	0.XX	±0.1
Chr	ABHILASH	2011/01/25	0.XX ±2	0.XXX	±0.1
Appr	SUDHIR	2011/01/25	Product family	D-SUB	Spec ref -
rev	ecn no	dr	date		
C	-	JOU	2003/01/22		
D	LS06-0097	LGO	2006/07/28		
E	LS09-0006	PCR	2009/01/08		
F	I10-0056	AMR	2010/02/22		
G	I11-0022	AMR	2011/01/25		
H	I11-0070	AMR	2011/04/18		
J	I11-0142	AMR	2011/07/22		
title		LEVER LOCKS FEMELLE (SHELL SIZE 09 15 25 37 50)		dwg no	C01-8655-1503
catalog no		-		CUSTOMER	sheet 1 of 1

REV F - 2006-04-17

1

2

3

4

PDM: Rev:J

STATUS: Released

Printed: Jul 23, 2011