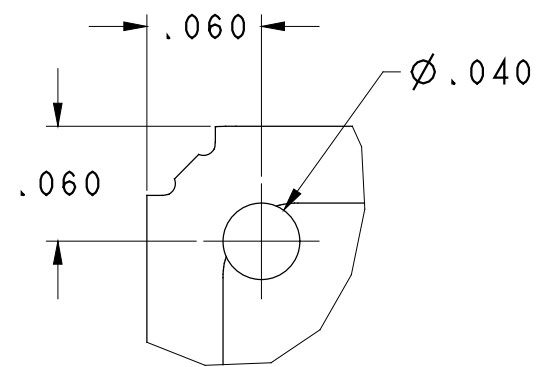
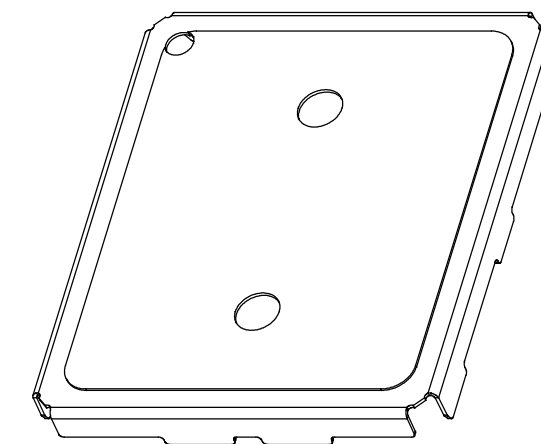
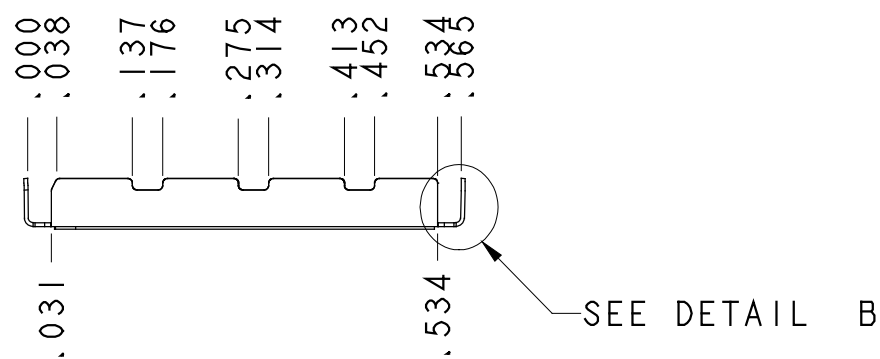


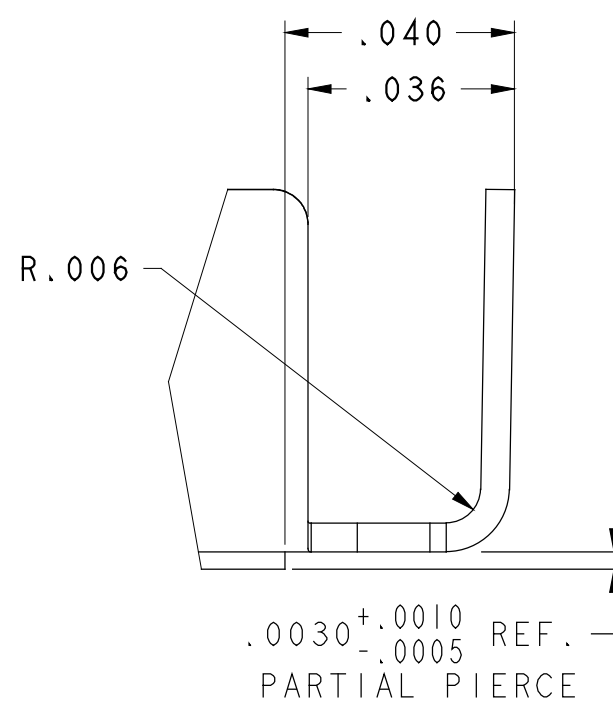
DWG NO:	0097-2004	
REVISIONS		
ECO-E1871 ADDED REF. DIM. TO PARTIAL PIERCE	DPG 9/20/00	02
ECO-E2313 MODIFIED DWG FOR MODULAR TOOLING	DPG 6/18/01	03
ECO-E2441 CHANGED DIST. TO LANCE .028 TO .040	WHS 7/24/01	04
ECO-E2803 ADDED PACKING TAPE ILLUSTRATION.	FAK 04/02/02 EWS 04/05/02	05
ECO-E3157 UPDATED FOR CLARITY, DELETED SECT A-A AND SHEET 2	SDH 08/08/02 DPG 08/08/02	06



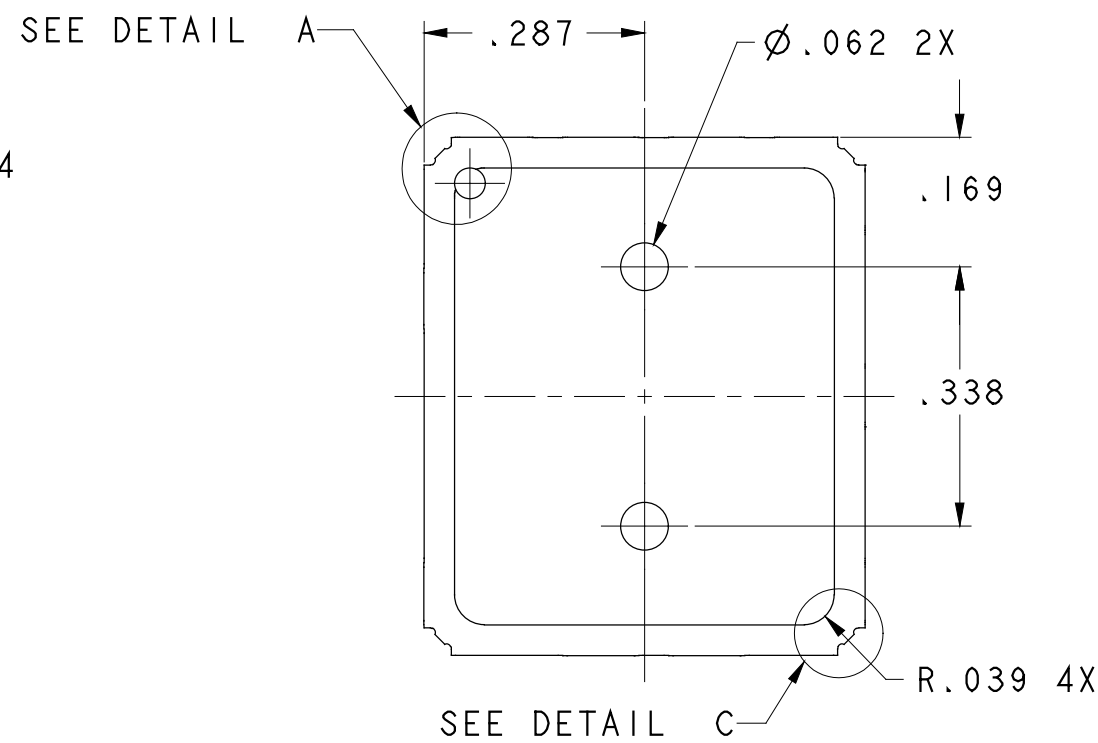
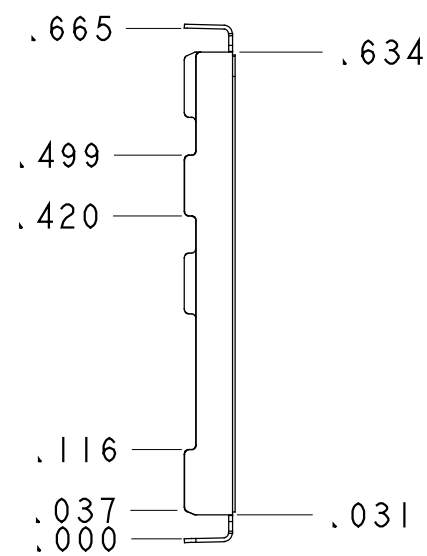
DETAIL A  
SCALE 10:1



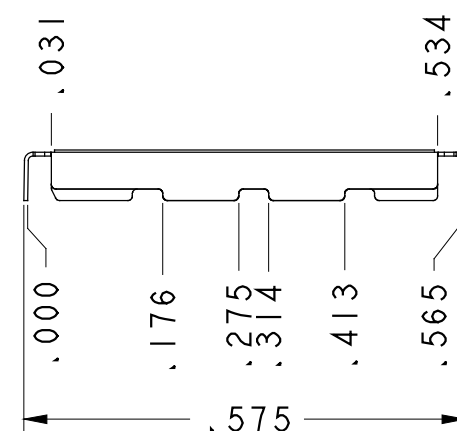
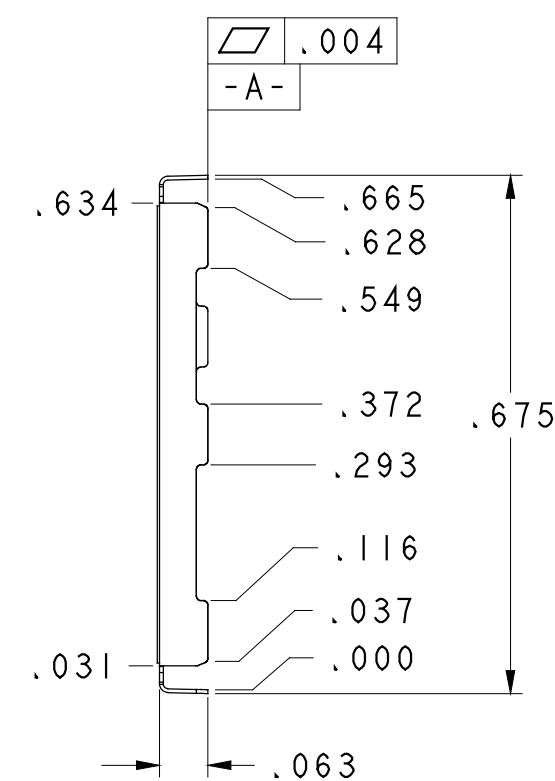
SCALE 4:1



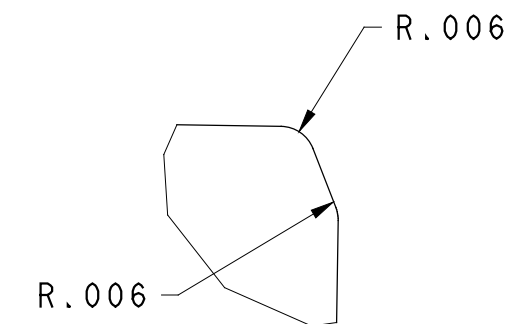
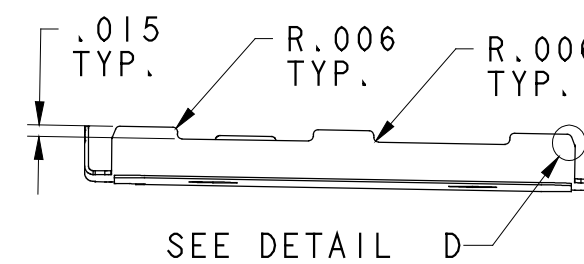
DETAIL B  
SCALE 30:1



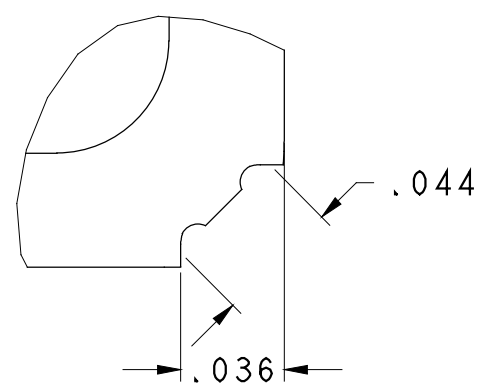
TAPE FEED DIRECTION →



FLAT PATTERN  
SCALE 1:1



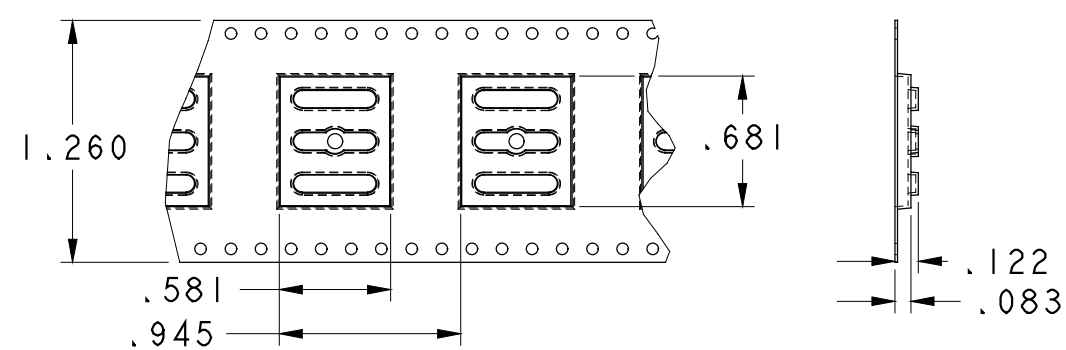
DETAIL D  
SCALE 30:1



DETAIL C  
SCALE 15:1

- NOTES:
1. THE PARTIAL PIERCE SHOULD APPEAR CONSISTENT IN DEPTH UNDER NORMAL LIGHTING. THE TOP SHOULD NOT BREAK AWAY WITHOUT FORCE APPLIED DIRECTLY TO IT. WHEN RESTRAINED ON THE SIDES ADJACENT TO THE STARTING CORNER, THE TOP SHOULD PEEL BACK WITHOUT EFFECTIVELY DISTORTING THE FORM, FIT, AND FUNCTION OF THE SIDES.
  2. TO ORDER PARTS SUPPLIED WITH TAPE AND REEL, PLEASE SPECIFY PART NUMBER 0T97-2004. (PSA COVER TAPE)

PACKING TAPE ILLUSTRATION



THIS INFORMATION IS CONFIDENTIAL AND PROPRIETARY TO LAIRD TECHNOLOGIES. IT MAY NOT BE DISCLOSED TO ANYONE, OTHER THAN LAIRD TECHNOLOGIES PERSONNEL, WITHOUT WRITTEN AUTHORIZATION FROM LAIRD TECHNOLOGIES.

DWG NO: 0097-2004

MATERIAL: .006 ± .0006 THICK C1010 CRS PREPLATED TIN PLATE	TOLERANCES NOT SHOWN DECIMAL 2 PL'S ± .010 DECIMAL 3 PL'S ± .005 ANGULAR ± 3°	DRAWN BY: WHS DATE: 5/3/01
HEAT TREAT: NONE	THIRD ANGLE PROJECTION	CHECKED: JEK DATE: 5/4/01
THICKNESS AFTER: N/A	UNITS: INCH SCALE: 4:1	APPROVED: DPG DATE: 6/18/01
FINISH: BRIGHT TIN PLATE .0001" - .0003"	CAD MAINTAINED DRAWING. MANUAL CHANGES UNAUTHORIZED.	REF. DWG. NO. 0097-2004 SHEET 1 OF 1
		REV 06

