

THIS DRAWING IS UNPUBLISHED. RELEASED FOR PUBLICATION

© COPYRIGHT - BY TYCO ELECTRONICS CORPORATION. ALL RIGHTS RESERVED.

LOC GZ DIST 00

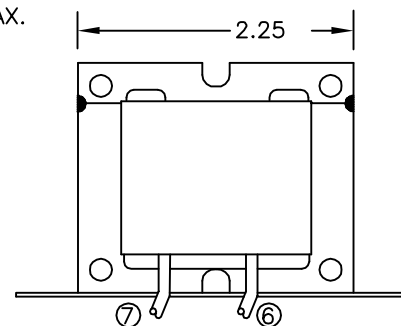
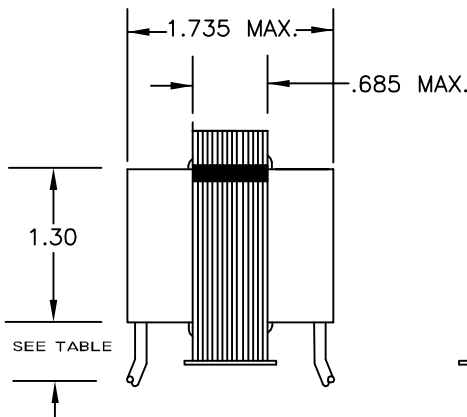
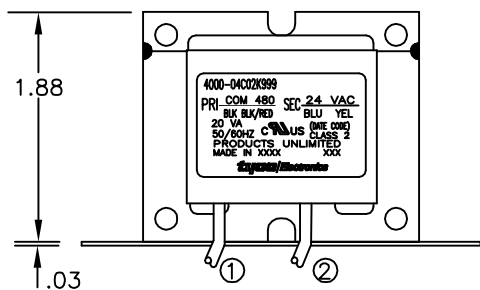
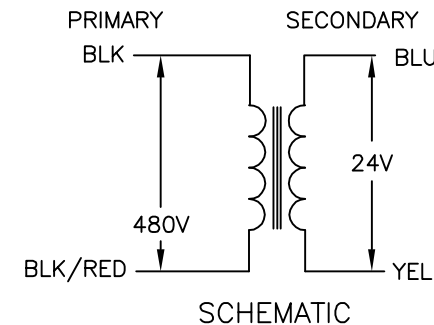
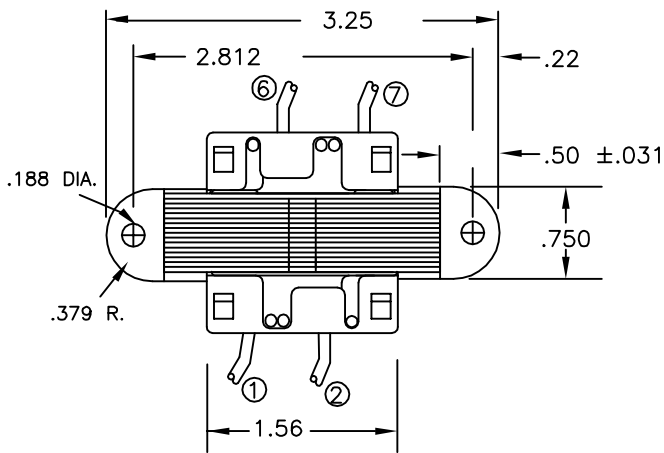
REVISIONS

P	LTR	DESCRIPTION	DATE	DWN	APVD
A		NEW FORMAT & EC07220-0054-04	02FEB04	MD	WS

ALL LEADS 18AWG-UNLESS OTHERWISE SPECIFIED			
PRIMARY			
LEAD NO.	1	2	
VOLTAGE	COM	480	
COLOR	BLK	BLK/RED	
LENGTH	12.0	12.0	
STRIP LENGTH	.50	.50	

- NOTES
1. DIMENSIONS FOR REFERENCE ONLY.
 2. ALL LEADS +1"/-0" TOL.
 3. STRIP TOL. ±1/32
 4. WINDING PROTECTION-INHERENTLY LIMITING

CERTIFICATION: UL & CUL FILE NO. E87824		
SECONDARY		
LEAD NO.	6	7
VOLTAGE	24	VAC
COLOR	BLU	YEL
LENGTH	12.0	12.0
VOLTAGE	.50	.50



CUST. NO. - TYCO PART NUMBER 8-1611476-0

Products Tyco Electronics Corporation
Harrisburg, Pa 17105-3608

THIS DRAWING IS A CONTROLLED DOCUMENT.

DIMENSIONS:	TOLERANCES UNLESS OTHERWISE SPECIFIED:
INCHES	
0 PLC	± .
1 PLC	± .
2 PLC	± .
3 PLC	± .
4 PLC	± .
ANGLES	± 1'

MATERIAL - FINISH -

DWN	M.DAVIS	02FEB04
CHK	W.SORAH	02FEB04
APVD	W.SORAH	02FEB04
PRODUCT SPEC		
APPLICATION SPEC		
WEIGHT	-	

NAME TRANSFORMER OUTLINE

SIZE	CAGE CODE	DRAWING NO	RESTRICTED TO
A3	00779	C=4000-04C02K999	-

CUSTOMER DRAWING SCALE NTS SHEET 1 OF 1 REV A