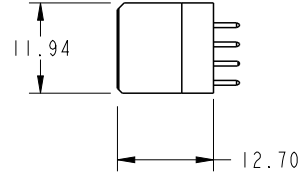
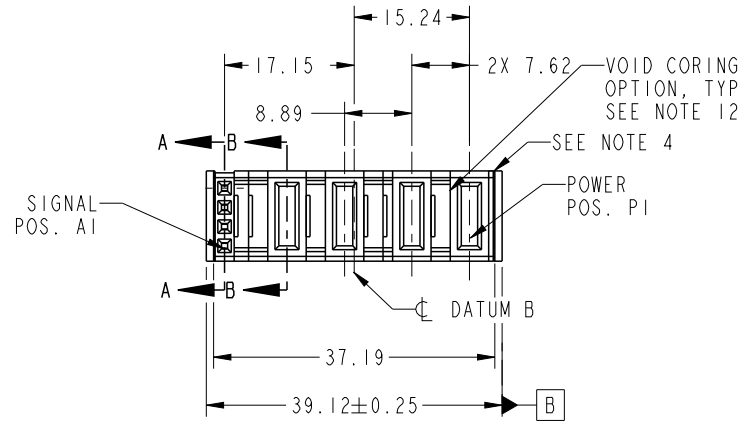


PRODUCT NO. 51940-456-- NOTE: 3	ROWS D C B A	SIG	POWER			
		1	P4	P3	P2	P1
		E E E E	PA	PA	PA	PA



CODE	DIM "M" MATING LENGTH	CONTACT TYPE
E	[N/A]	SIGNAL
PA	[1.07]	POWER

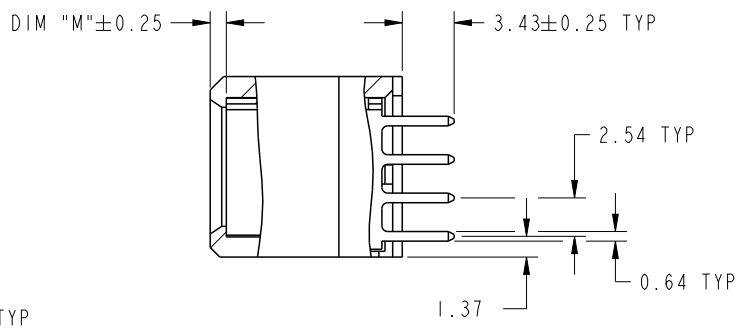
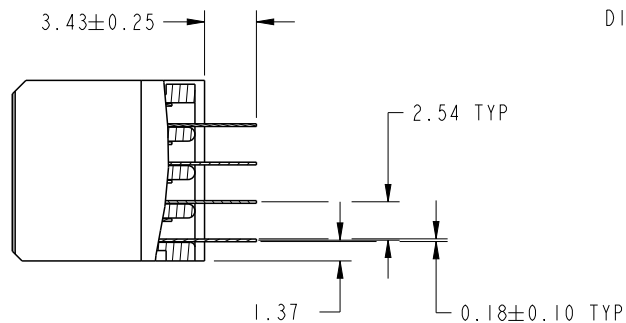
spec ref	*	dr	Luo Weller	2012/08/30	projection	MM	size	A4	scale	1:1
tolerance std	TOLERANCES UNLESS OTHERWISE SPECIFIED	eng	Luo Weller	2012/09/09			ecn no		-	
SEE NOTE		chr	-	-			rel level		Released	
surface	linear	appr	Pei-Ming Zheng	2012/09/10	product family		PwrBlade		rev	
	angular	www.fci.com		title		4P + 4S		51940-456		A
	0.X ±0.5	cat. no.		Product - Customer Drw		sheet 1 of 4				
	0.XX ±0.25									
	0.XXX ±0.1									
	0° ±2°									



Copyright FCI.

PRODUCT NUMBER

51940-456__
NOTE: 3

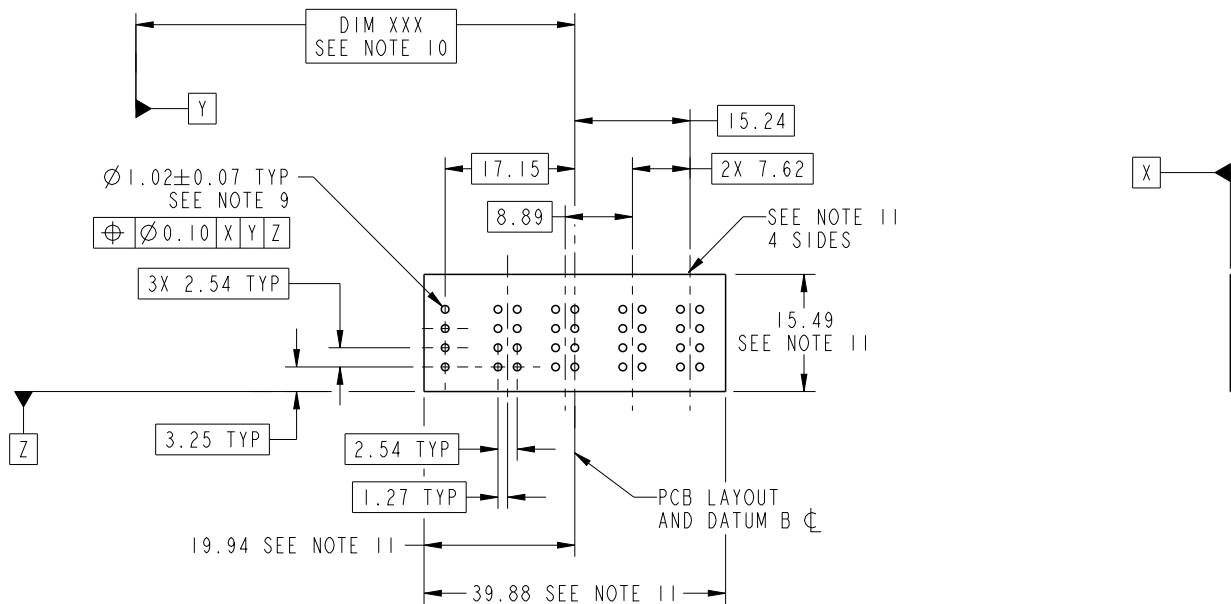


Copyright FCI.

dr	Luo Weller	2012/08/30	projection 	MM 	size	A4	scale	1:1
eng	Luo Weller	2012/09/09			ecn no	-		
chr	-	-			rel level	Released		
appr	Pei-Ming Zheng	2012/09/10	product family	PwrBlade				
		title 4P + 4S VERTICAL SOLDER RECEPT	dwg no 51940-456	rev A				
www.fci.com		cat. no.	*	Product - Customer Drw	sheet 2 of 4			

PRODUCT NUMBER

51940-456__
NOTE: 3



RECOMMENDED PCB LAYOUT

dr	Luo Weller	2012/08/30	projection 	MM 	size	A4	scale	1:1
eng	Luo Weller	2012/09/09			ecn no	-		
chr	-	-			rel level	Released		
appr	Pei-Ming Zheng	2012/09/10	product family	PwrBlade				
	title	4P + 4S VERTICAL SOLDER RECEPT		dwg no	51940-456		rev	A
www.fci.com	cat. no.	*	Product - Customer Drw		sheet 3 of 4			

PRODUCT NUMBER

51940-456__
NOTE: 3

NOTES:

1. DIMENSIONS AND TOLERANCES ARE IN ACCORDANCE WITH ASME Y14.5M, 1994 UNLESS OTHERWISE SPECIFIED.

CONNECTOR NOTES:

- 2 HOUSING MATERIAL: UL 94 V-0 GLASS FILLED HIGH-TEMP THERMOPLASTIC
POWER CONTACT MATERIAL: COPPER ALLOY
SIGNAL PIN MATERIAL: COPPER ALLOY
- 3. SEE ITEM 5 & 6 IN PRINT 10064183 FOR PLATING SPEC OF 51940-456 AND 51940-456LF RESPECTIVELY.
- 4 MANUFACTURER'S NAME, DATE CODE AND OPTIONAL P/N TO APPEAR ON THIS SURFACE. THE MARK CAN BE OMITTED IF THERE IS NOT ENOUGH SPACE ON THIS SURFACE.
- 5. PRODUCT SPECIFICATION GS-12-149.
APPLICATION SPECIFICATION BUS-20-067.
- 6. PACKAGED IN TRAYS.
- PCB NOTES:
- 7. ALL HOLE DIAMETERS ARE FINISHED HOLE SIZE.
- 8 MOUNTING HOLES, WHERE APPLICABLE, ARE UNPLATED.
- 9 $\varnothing 1.151 \pm 0.025$ DRILLED HOLES PLATED WITH
0.008 MIN SnPb OR Sn OVER 0.03
TO 0.08 Cu PLATING TO ACHIEVE
 $\varnothing 1.02 \pm 0.07$ HOLE.
- 10 "DIM XXX" TO BE DETERMINED BY THE CUSTOMER.
- 11 CONNECTOR KEEP-OUT ZONE.
- 12. THE VOID CORING IN BETWEEN POWER MODULES, SIGNAL MODULES AND END MODULES ARE OPTIONAL AND THE SHAPE MAY BE DIFFERENT FOR OPTIMIZE THE MOLDING PROCESS. THE VOID CORING WILL NOT EFFECT TO PRODUCT FUNCTION.

A

B

C

D

A

B

C

D



Copyright FCI.

dr	Luo Weller	2012/08/30	projection 	MM 	size	A4	scale	1:1		
eng	Luo Weller	2012/09/09			ecn no	-				
chr	-	-			product family	PwrBlade	rel level	Released		
appr	Pei-Ming Zheng	2012/09/10			title	4P + 4S VERTICAL SOLDER RECEPT	dwg no	51940-456	rev	A
www.fci.com		cat. no.	*	Product - Customer Drw			sheet 4 of 4			