

5

4

3

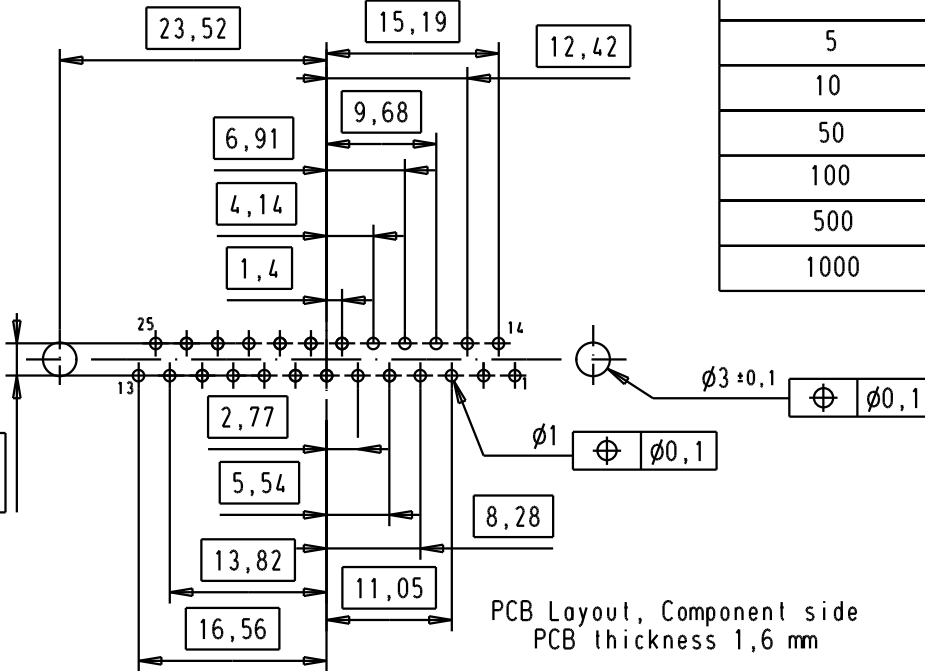
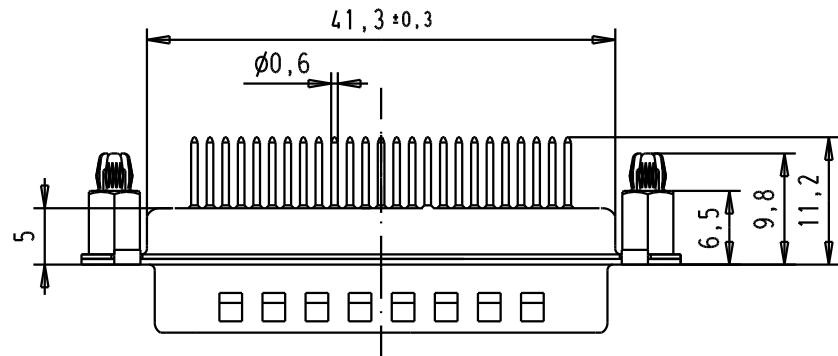
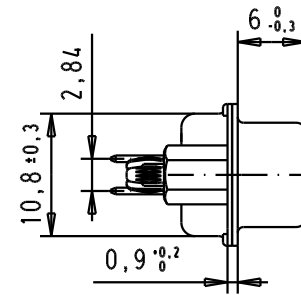
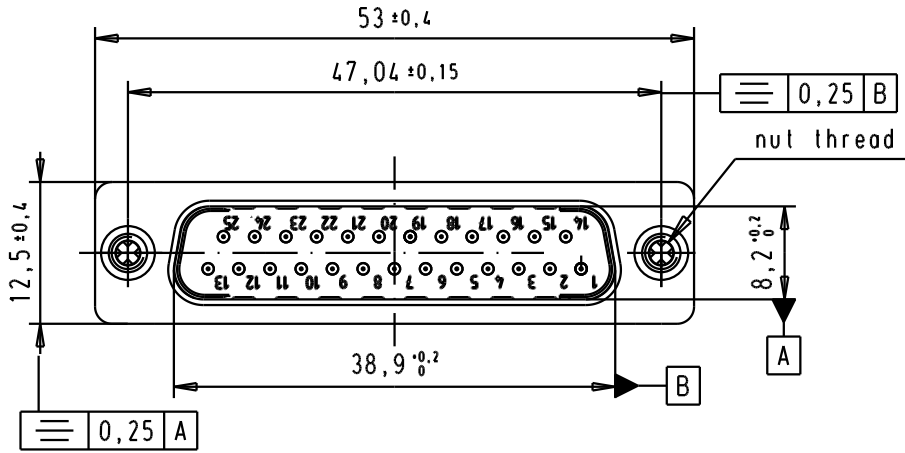
2

1

SPECIFICATION

Filter type	C
Mating Cycles	500
Capacitance	1000pf±20%
Working Voltage	100v
Current Rating	7.5A
Insulation Resistance	>1GΩ

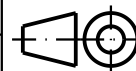
FREQUENCY (MHz)	ATTENUATION (dB)
5	1dB
10	3dB
50	12dB
100	20dB
500	34dB
1000	30dB



09 64 322 7236	M3
09 64 322 7235	UNC 4-40
Part number	nut thread

			Dat.	Name
			Detail.	8-JUL-02 CV
			Insp.	
			Stand.	
31897	17/05/04	AF		
31058	8-JUL-02	CV		
Mod.	Dat.	Name		

HARTING EURL
F-95972 Paris



All Dim. in mm
Orig. Size DIN A 4



D-Sub, male, straight,
25 Poles, with turned
solder pin, spacer nut
with board lock

TB 0964322723x

Ma?Ms Lab/
Scale

1.5:1

Blatt/ Page

2 / 3

Sub.