

IEC Appliance Inlet C14 with Filter, Front or Rear side Mounting



Snap-In Version with quick connect terminals
6.3 x 0.8 mm

Screw-On Version with quick connect terminals
6.3 x 0.8 mm

Screw-On Version with flexible wires



Description

- Panel Mount :
Snap-in or screw-on mounting from front or rear-side
- 2 Functions :
Appliance Inlet , Line-filter in standard version
- Quick connect terminals or wires

Approvals

- VDE Certificate Number: 40004665
- UL File Number: E72928

Characteristics

- Compact design with optimal shielding
- All single elements are already wired
- For standard applications
- Suitable for use in equipment according to IEC/UL 60950

References

We recommend for new applications the type 5120
Last order date: 31.12.2014

Weblinks

[pdf datasheet](#), [html-datasheet](#), [General Product Information](#), [RoHS](#), [CHINA-RoHS](#), [REACH](#), [Distributor-Stock-Check](#), [Accessories](#), [Detailed request for product](#)

Newly available variants corresponding to V-Lock mating cordset. The connector is equipped with a notch intended for use with the latching cordset. The cord latching system prevents against accidental removal of the cordset.

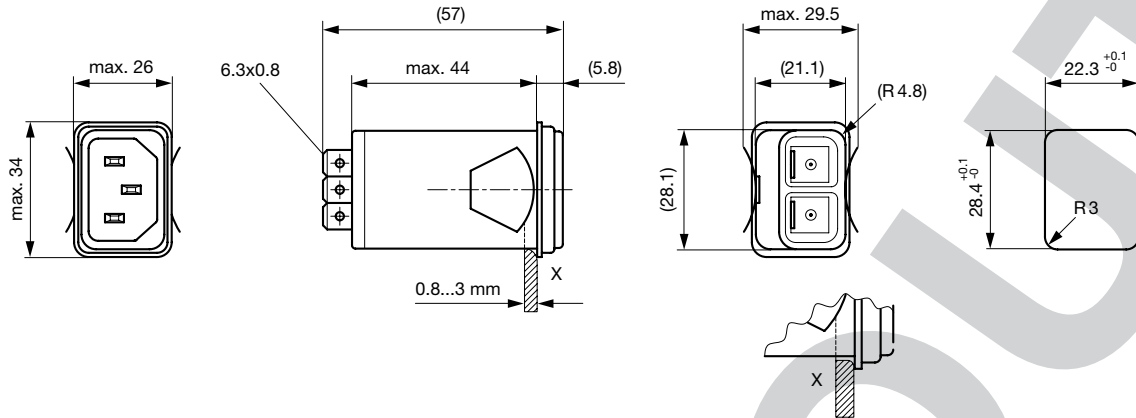
Technical Data

Ratings IEC	1 - 10A @ Ta 40 °C / 250 VAC; 50Hz	appliance inlet/-outlet	C14 acc. to IEC 60320-1,
Ratings UL/CSA	1 - 10A @ Ta 40 °C / 125 VAC; 60Hz		UL 498, CSA C22.2 no. 42 (for cold
Dielectric Strength	> 1.7 kVDC between L-N		conditions) pin-temperature 70 °C, 10A,
	> 2.7 kVDC between L/N-PE		Protection Class I
Impulse Withstand Voltage	> 2.5 kV between L-N	Line Filter	Standard Version, IEC 60939, UL 1283,
	> 5 kV between L/N-PE		CSA C22.2 no. 8
Allowable Operation Temperature	-25 °C to 85 °C	MTBF	Technical Details
			> 3'100'000h acc. to MIL-HB-217 F
Climatic Category	25/085/21 acc. to IEC 60068-1		
IP-Protection	from front side IP 40 acc. to IEC 60529		
Protection Class	Suitable for appliances with protection class I acc. to IEC 61140		
Terminal	Quick connect terminals or wires Quick connect terminals 6.3 x 0.8 mm straight		
Panel Thickness s	Screw max 8mm		
	Mounting screw torque max 0.5Nm		
	Snap-in 1 mm to 3mm		
	Aluminium 1.5-3 mm, steel 1-3 mm, not suitable for plastic material		
Material: Housing	Thermoplastic, black, UL 94V-0		

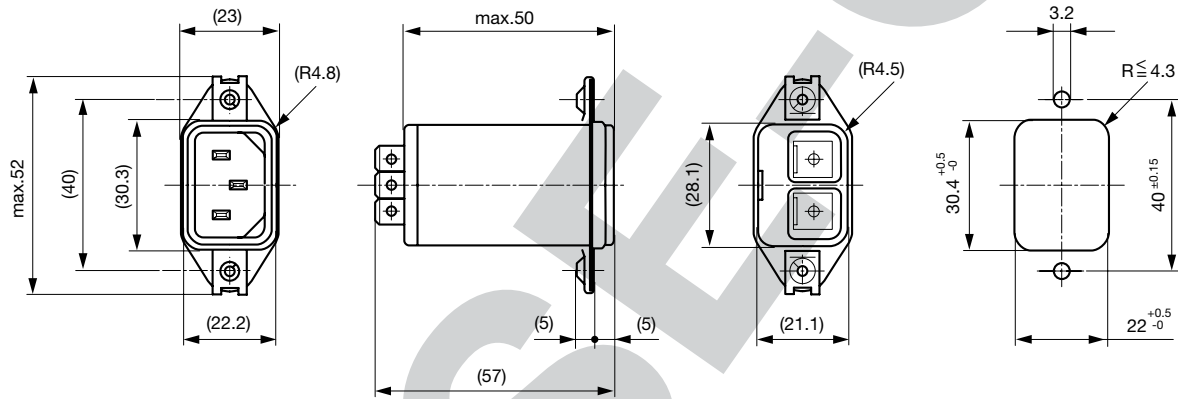
Detailed information on product approvals, code requirements, usage instructions and detailed test conditions can be looked up in [General Product Information](#)

Dimension

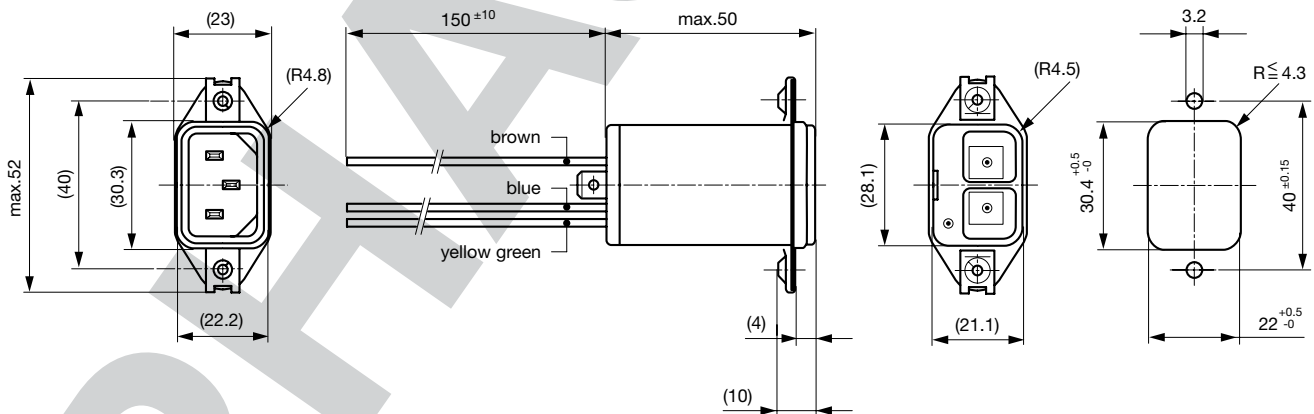
Snap-in, front side, quick connect terminals



Screw-on, rear side, quick connect terminal



Screw-on, rear side, flexible wires

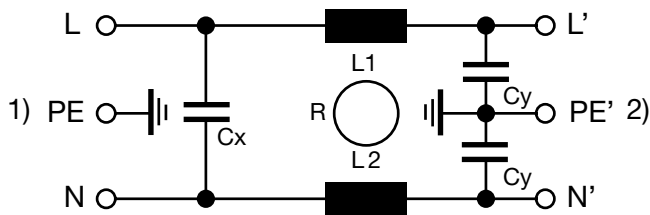


Technical Data of Filter-Components

Rated Current [A]	Inductances L [mH]	Capacitance CX [nF]	Capacitance CY [nF]
1	2 x 10	47	2.2
2	2 x 4	47	2.2
4	2 x 1.5	47	2.2
6	2 x 0.8	47	2.2
10	2 x 0.3	47	2.2

Diagrams

Standard version



1) Line
2) Load

Attenuation Loss

Standard version

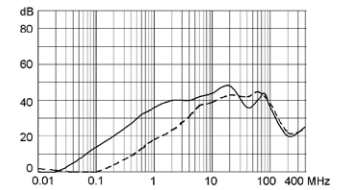
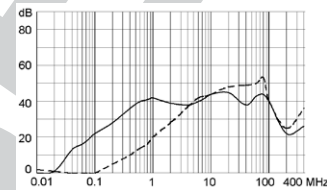
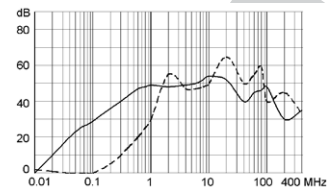
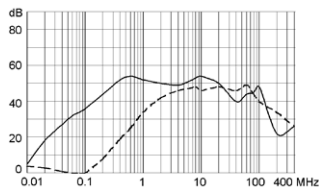
----- 50Ω differential mode _____ 50Ω common mode

1 A

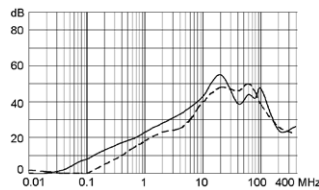
2 A

4 A

6 A



10 A



All Variants

Rated Current [A]	Mounting	Panel mounting	Terminal	Order Number
1	Snap-in	Mounting from front side	Quick connect terminals 6.3 x 0.8 mm	4300.5011
2	Snap-in	Mounting from front side	Quick connect terminals 6.3 x 0.8 mm	4300.5012
4	Snap-in	Mounting from front side	Quick connect terminals 6.3 x 0.8 mm	4300.5013
6	Snap-in	Mounting from front side	Quick connect terminals 6.3 x 0.8 mm	4300.5014
10	Snap-in	Mounting from front side	Quick connect terminals 6.3 x 0.8 mm	4300.5015
1	Screw	Screw-on from rear side	Quick connect terminals 6.3 x 0.8 mm	4300.5091
2	Screw	Screw-on from rear side	Quick connect terminals 6.3 x 0.8 mm	4300.5092
4	Screw	Screw-on from rear side	Quick connect terminals 6.3 x 0.8 mm	4300.5093
6	Screw	Screw-on from rear side	Quick connect terminals 6.3 x 0.8 mm	4300.5094
10	Screw	Screw-on from rear side	Quick connect terminals 6.3 x 0.8 mm	4300.5095

Rated Current [A]	Mounting	Panel mounting	Terminal	Order Number
1	Screw	Screw-on from rear side	Flexible wire AWG18	4300.5071
2	Screw	Screw-on from rear side	Flexible wire AWG18	4300.5072
4	Screw	Screw-on from rear side	Flexible wire AWG18	4300.5073
6	Screw	Screw-on from rear side	Flexible wire AWG18	4300.5074
10	Screw	Screw-on from rear side	Flexible wire AWG18	4300.5075

Availability for all products can be searched real-time: <http://www.schurter.com/en/Stock-Check/Stock-Check-SCHURTER>

Packaging unit 10 Pcs

Accessories

Description



Assorted Covers
Rear Cover

0859.0048

Mating Outlets/Connectors

Category / Description

[Appliance Outlet Overview complete](#)



IEC Appliance Outlet F, Screw-on Mounting, Front Side, Solder Terminal	4787
IEC Appliance Outlet F, Snap-in Mounting, Front Side, Solder or Quick-connect Terminal	4788
IEC Appliance Outlet F or H, Screw-on Mounting, Front Side, Solder, PCB or Quick-connect Terminal	5091

[Appliance Outlet further types to FGS](#)

[Connector Overview complete](#)



4782 Mounting: Power Cord, 3 x 1 mm ² / 3 x 18 AWG, Cable, Connector: IEC C13	4782
4022 Mounting: Power Supply Cord, 3 x 1.5 mm ² , Screw clamps, Connector: IEC C13	4022
4785 Mounting: Power Cord, 3 x 1 mm ² / 3 x 18 AWG, Cable, Connector: IEC C13	4785
4300-06 Mounting: Power Cord, 3 x 1 mm ² / 3 x 18 AWG, Cable, Connector: IEC C13	4300-06
4012 Mounting: Power Supply Cord, 3 x 1.5 mm ² , Screw clamps, Connector: IEC C13	4012

[Connector further types to FGS](#)

...

Mating Outlets/Connectors shuttered

[Power Cord Overview complete](#)



VAC13KS, Overview, diverse Connector IEC C13, cord end:	VAC13KS
---	---------

[Power Cord further types to FGS](#)