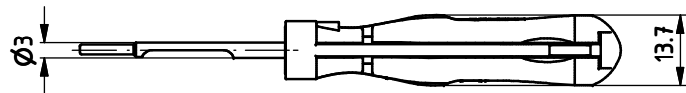
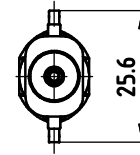
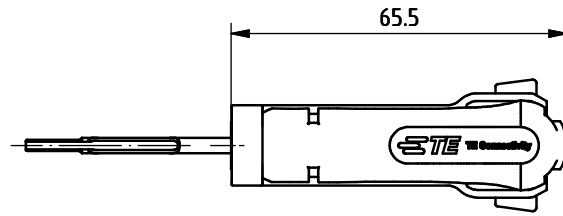
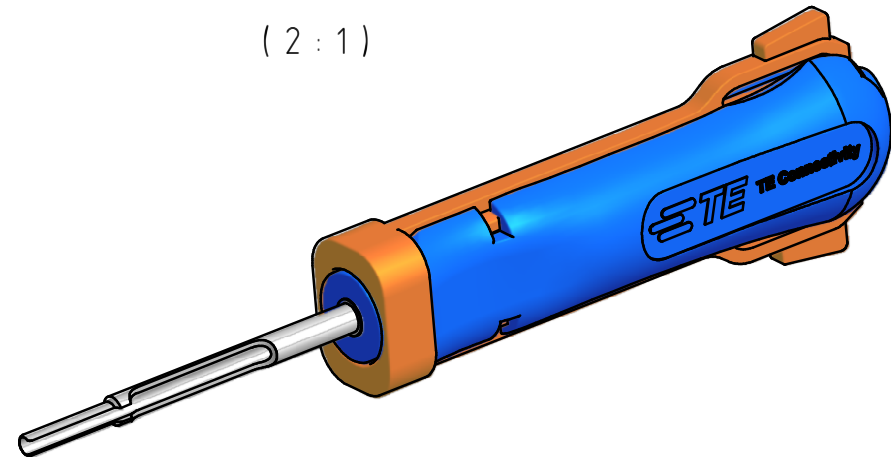
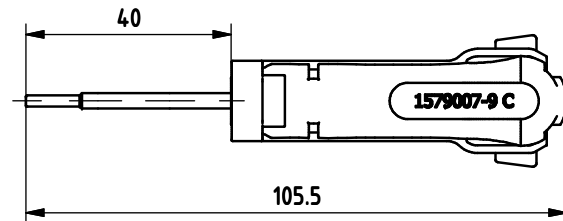


THIS DRAWING IS UNPUBLISHED. RELEASED FOR PUBLICATION
 © COPYRIGHT - BY TYCO ELECTRONICS CORPORATION. ALL INTERNATIONAL RIGHTS RESERVED.

LOC	DIST	REVISIONS			
P	LTR	DESCRIPTION	DATE	DWN	APVD
AI	00	C	ECR-11-016417	08AUG11	LS GS



(2:1)



APPLICATION RANGE / Anwendungsbereich:

COSI PIN CONTACT HD20 DF, 24-20 AWG 166053-1
 24-20 AWG HD-20 SOCKET 166051-1
 SOCKET HOUSING HD

THIS DRAWING IS A CONTROLLED DOCUMENT.		DWN J. Zajicek 02APR03		
DIMENSIONS: mm		CHK J. Zajicek 28APR04		
TOLERANCES UNLESS OTHERWISE SPECIFIED:		APVD J. Zajicek 28APR04	NAME EXTRACTION TOOL Entriegelungswerkzeug	
		PRODUCT SPEC	RESTRICTED TO	
MATERIAL		APPLICATION SPEC	SIZE A3	CAGE CODE 00779
FINISH		Gewicht / Weight in Kg 0,009	DRAWING NO C= 1579007-9	
CUSTOMER DRAWING			SCALE 1:1	SHEET 1 of 1
			REV C	