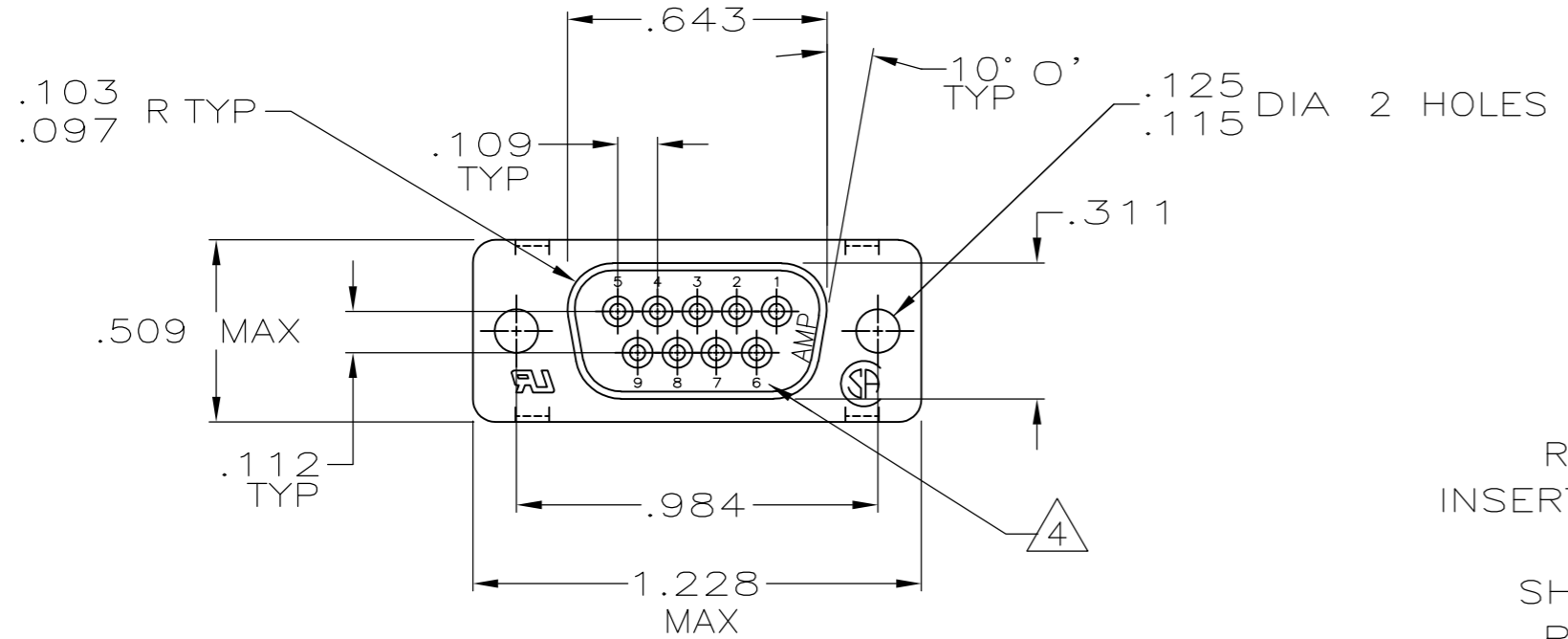
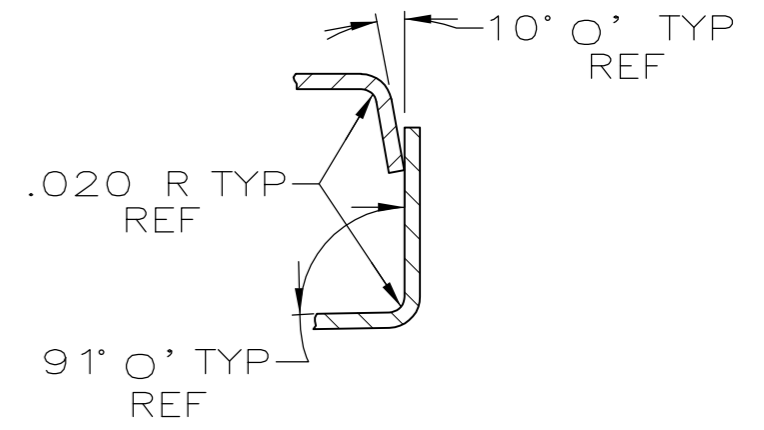


THIS DRAWING IS UNPUBLISHED. RELEASED FOR PUBLICATION
 © COPYRIGHT - By - ALL RIGHTS RESERVED.

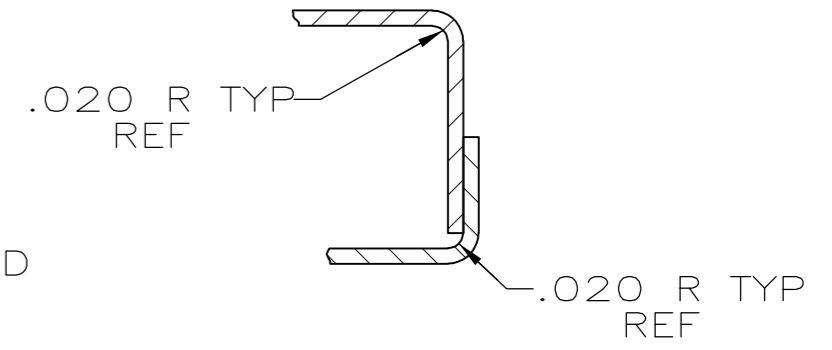
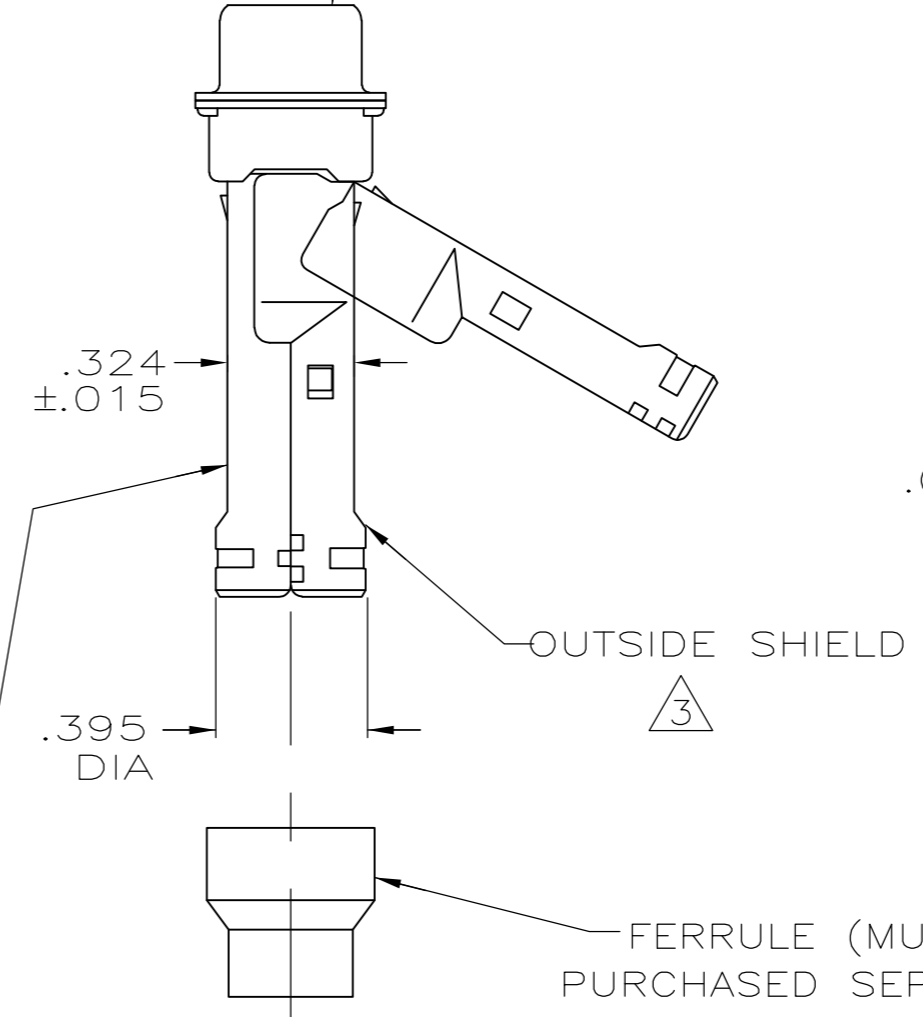
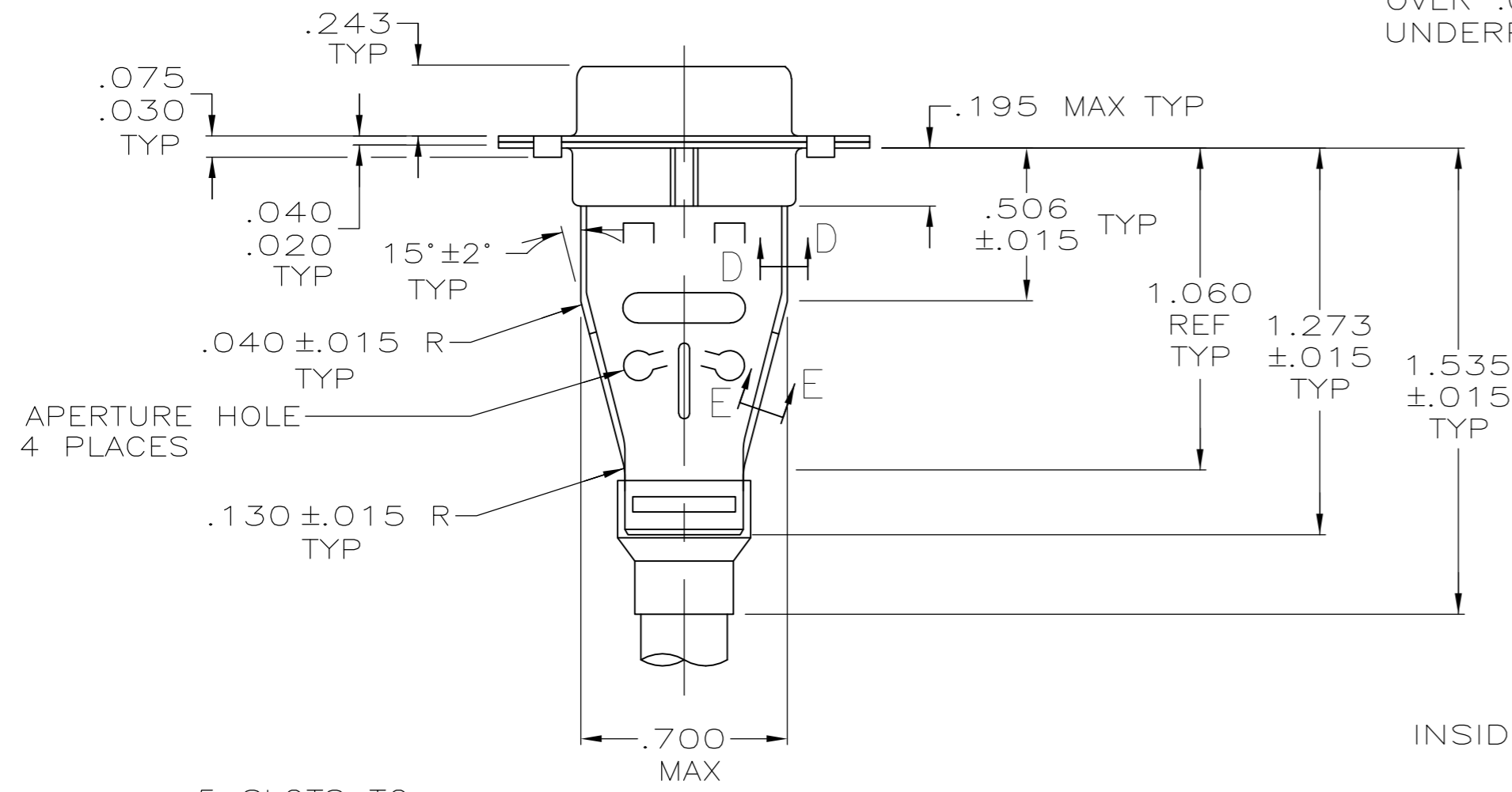
LOC	DIST	REVISIONS					
GP	00	P	LTR	DESCRIPTION	DATE	DWN	APVD
		P		REVISED PER ECO-11-004835	11MAR11	RK	HMR



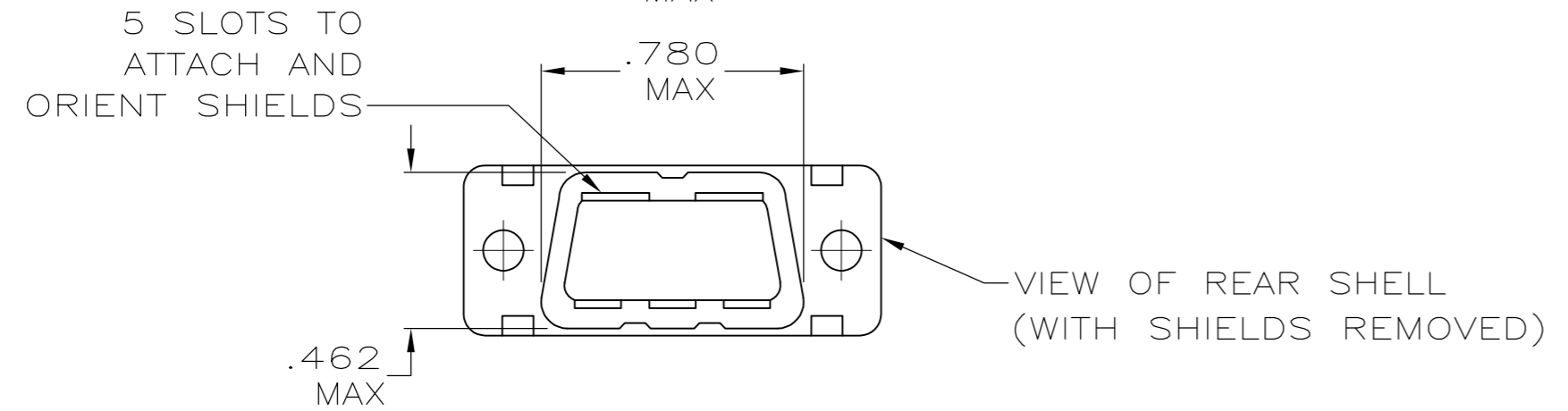
RECEPTACLE CONNECTOR (1)
 INSERT: BLACK GLASS FILLED NYLON
 94 V-O RATED
 SHELL: STEEL PER ASTM A109
 PLATED, .000200 MIN TIN
 OVER .000100 MIN COPPER
 UNDERPLATE.



SECTION D-D
 SCALE 4:1



SECTION E-E
 SCALE 4:1



- (1) RECEPTACLE ACCEPTS SIZE 20 SOCKET CONTACTS (CONTACTS ORDERED SEPARATELY)
- 2 ALL PARTS SHIPPED UNASSEMBLED, EACH PART INDIVIDUALLY BULK PACKED.
- (3) SHIELDS: MATERIAL-.020 THICK STEEL, PER ASTM A109, PLATED .000200 MIN TIN OVER .000100 MIN COPPER UNDERPLATE.
- (4) RAISED CAVITY IDENTIFICATION AND AMP TRADEMARK.

1658646-1
 PART NUMBER

THIS DRAWING IS A CONTROLLED DOCUMENT.		DWN	J.REITZEL	30JUL03		TE Connectivity		
DIMENSIONS: INCHES		CHK	S.BOLASH	30JUL03		NAME		
TOLERANCES UNLESS OTHERWISE SPECIFIED:		APVD	M.WALMSLEY	30JUL03		PRODUCT SPEC		
0 PLC ± - 1 PLC ± - 2 PLC ± - 3 PLC ± .005 4 PLC ± - ANGLES ± 0° 30'		APPLICATION SPEC		108-40030				
MATERIAL		WEIGHT		SIZE		CAGE CODE	DRAWING NO	RESTRICTED TO
SEE CALL OUT (3)		SEE CALL OUT (3)		A2		00779	C=1658646	-
CUSTOMER DRAWING				SCALE	2:1	SHEET	1 of 1	REV P