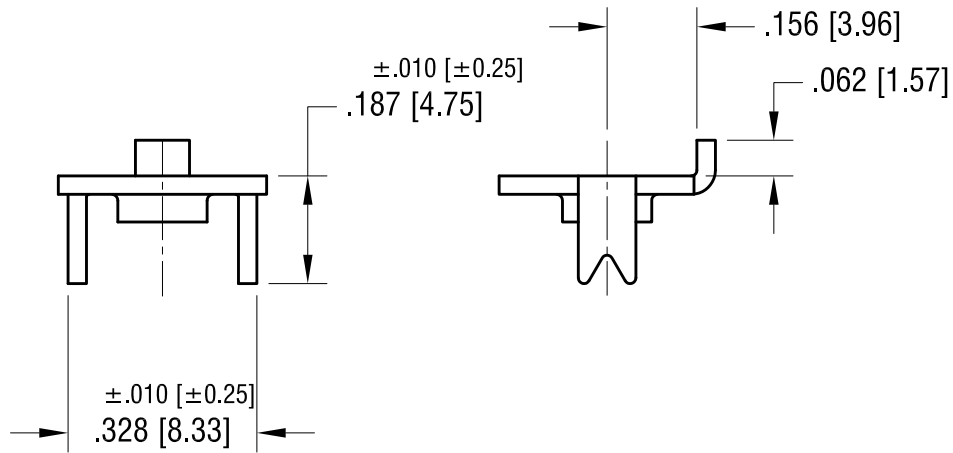
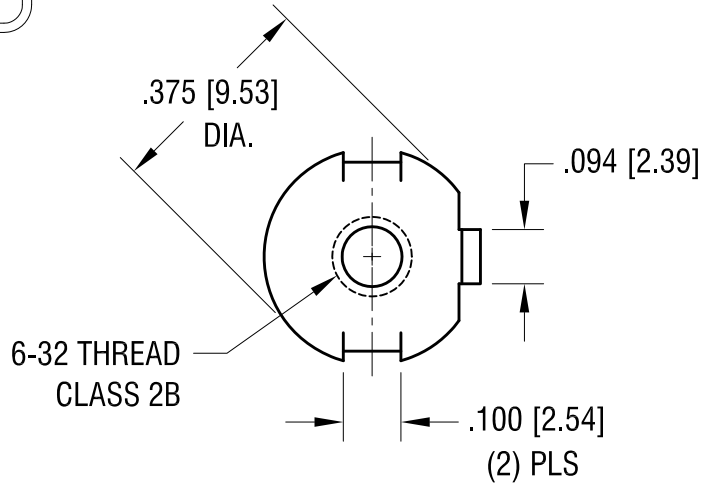
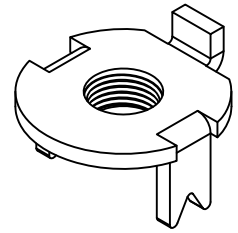
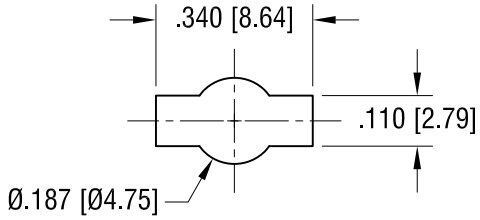


THIS DOCUMENT IS THE PROPERTY OF KEYSTONE ELECTRONICS CORP. AND SHALL NOT BE REPRODUCED, DISTRIBUTED OR USED AS A BASIS FOR MANUFACTURE WITHOUT PRIOR WRITTEN PERMISSION FROM KEYSTONE ELECTRONICS CORP.

MOUNTING DETAIL



KEYSTONE ELECTRONICS CORP.

www.keyelco.com • ASTORIA, N.Y. 11105-2017 • Tel (718) 956-8900

PART NAME
SCREW TERMINAL

MATERIAL
.032 [0.81] TH'K BRASS

FINISH MATTE TIN PLATE	DRN BY BOONE	DATE 5.13.82
	APP'D LN	SCALE 3X

TOLERANCES DECIMAL ANGULAR UNLESS OTHERWISE SPECIFIED	INCH [MM] ± .005 [± 0.15]	CODE C	DWG NO. 1284
--	-------------------------------------	------------------	------------------------

9.14.09	CHANGE AS PER ECN 09-128	E
10.14.04	CHANGE AS PER ECN 04-134	D
DATE	DESCRIPTION	REV.