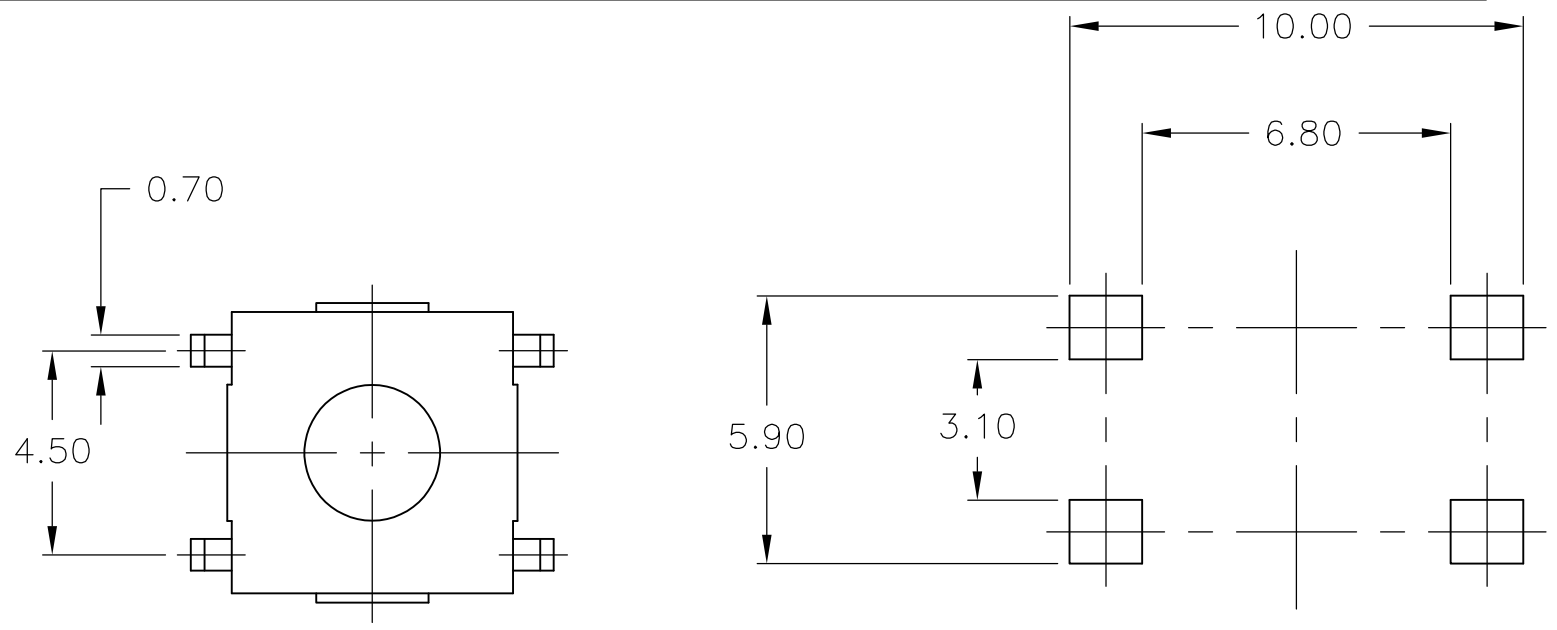
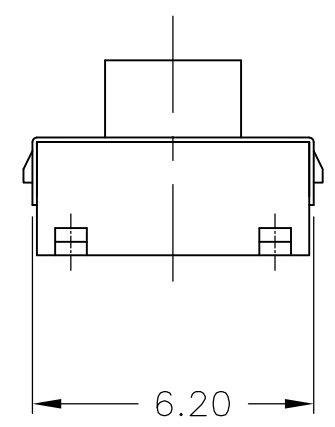
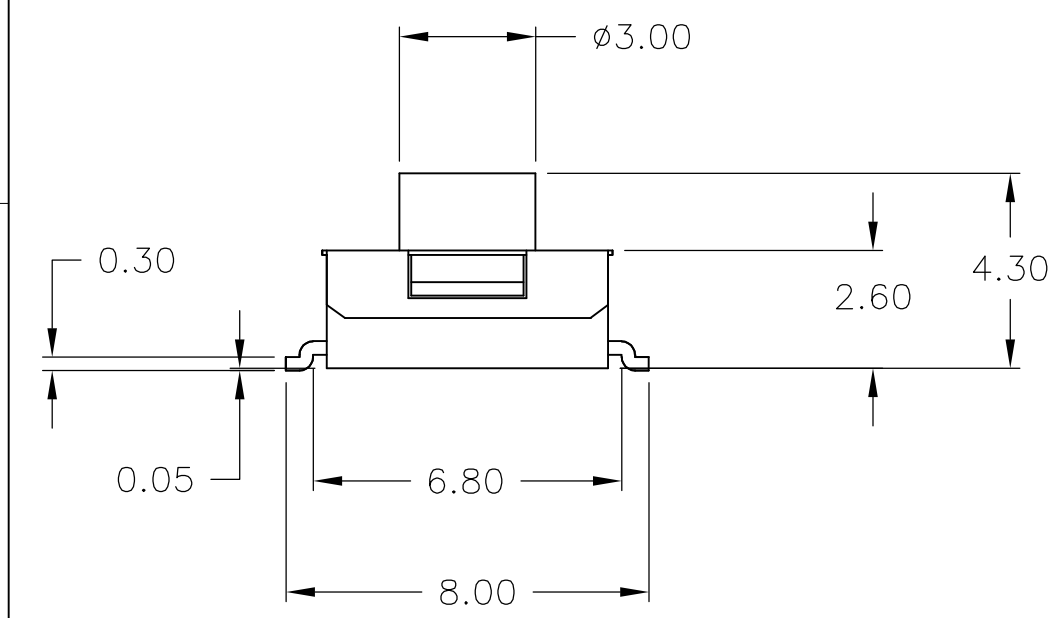


THIS DRAWING IS UNPUBLISHED. RELEASED FOR PUBLICATION
 © COPYRIGHT - By - ALL RIGHTS RESERVED.

REVISIONS					
P	LTR	DESCRIPTION	DATE	DWN	APVD
	A2	REVISED PER ECO-16-018632	05APR2017	SK	PO



P C B LAND DIMENSION



SPECIFICATIONS:

MATERIALS:

CASE, NYLON 46 UL94 V-0, IVORY
 ACTUATOR, NYLON PA6T UL94V-0, PINK FINISH
 COVER, COPPER ALLOY, TIN FINISH
 TERMINAL/FIXED CONTACT, COPPER ALLOY-SILVER FINISH
 MOVING CONTACT, STAINLESS STEEL-SILVER FINISH

ELECTRICAL:

MAX CONTACT RATING, 50MILLIAMPS@24V DC
 MIN CONTACT RATING, 1MICROAMP@1V DC
 CONTACT RESISTANCE, 100 MILLIOHMS MAX
 INSULATION RESISTANCE, 100 MEGOHM MIN.
 DIELECTRIC STRENGTH, 500 V AC FOR 1 MINUTE
 LIFE EXPECTANCY, 1,000,000 CYCLES

MECHANICAL:

ACTUATION FORCE, 260 +/-50GF
 ACTUATION TRAVEL, 0.25 +0.20/-0.10
 LIFE EXPECTANCY, 1,000,000, (2 CYCLES PER SECOND AND 150% ACTUATION FORCE)

ENVIRONMENTAL:

OPERATING TEMPERATURE, -40 TO +105° C
 STORAGE TEMPERATURE, -40 TO +105° C
 SOLDERABILITY, EIA-RS-186-9E, OR MIL-STD-202F
 RESISTANCE TO SOLDER HEAT, 260° C FOR 10SEC-PER 109-201, CONDITION B
 1.NO CHANGE IN INITIAL ELECTRICAL AND MECHANICAL CHARACTERISTICS

NOTES:

- 1 ALL MATERIALS AND FINISHES SHALL COMPLY WITH EU DIRECTIVE 2002/95/EC OF 27JAN2003 (ROHS)

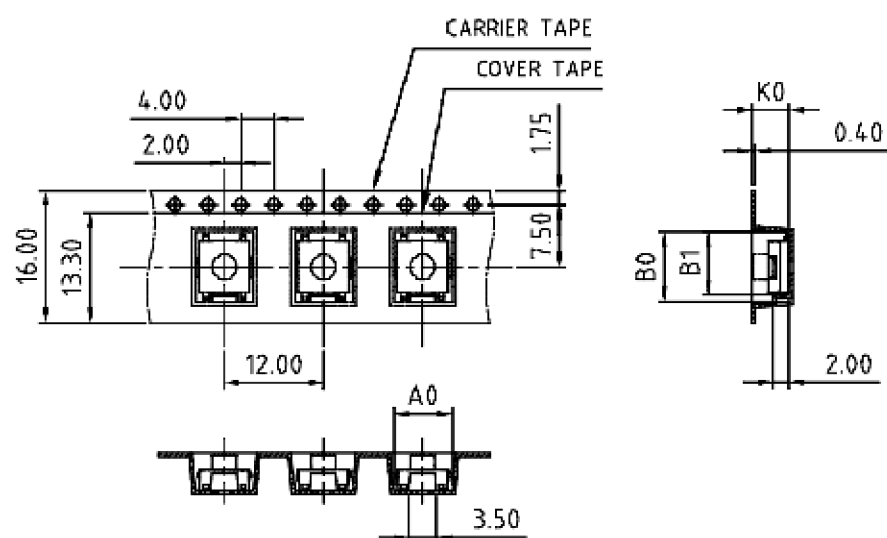
() - INDICATES MOMENTARY POSITION			
CIRCUIT CHARACTERISTICS			
CONTACT POSITION		CIRCUIT DIAGRAM	
OFF	(ON) 1-3 2-4		

OBSOLETE	TAPE AND REEL	1,000,000	PINK	260 +/-50g	FSM4LPASTR	1977264-2
	BULK	1,000,000	PINK	260 +/-50g	FSM4LPAS	1977264-1
	PACKAGING	LIFE CYCLE	ACTUATOR COLOR	ACTUATION FORCE	T&B P/N	TE P/N
THIS DRAWING IS A CONTROLLED DOCUMENT.			DWN M.BINNER 24JAN08	TE Connectivity TACTILE SWITCH 6X6mm LOW PROFILE, SURFACE MOUNT		
DIMENSIONS: mm			CHK M.SARVER 24JAN08			
TOLERANCES UNLESS OTHERWISE SPECIFIED:			APVD M.SARVER 24JAN08			
0 PLC ± - 1 PLC ± - 2 PLC ± 0.30 3 PLC ± - 4 PLC ± - ANGLES ± -			PRODUCT SPEC			
MATERIAL			FINISH	APPLICATION SPEC	SIZE	CAGE CODE
-			-	WEIGHT	DRAWING NO	
-			-	0	A300779	
CUSTOMER DRAWING				RESTRICTED TO	-	
				SCALE	SHEET	REV
				6:1	1 OF 2	A2

REVISIONS

P	LTR	DESCRIPTION	DATE	DWN	APVD
-	-	SEE SHEET 1	-	-	-

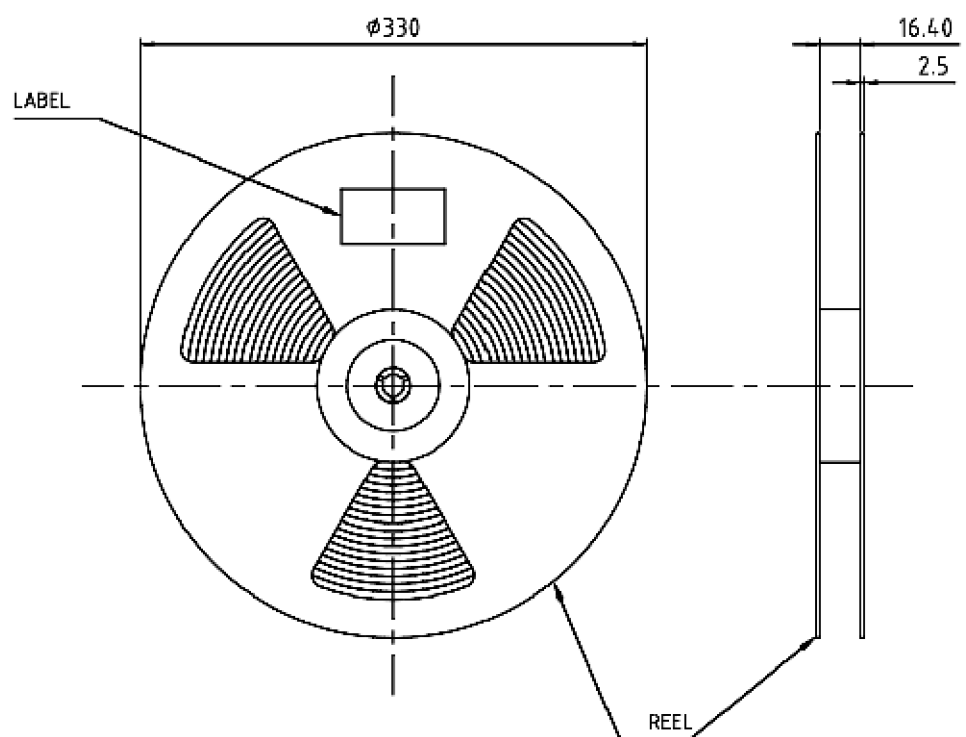
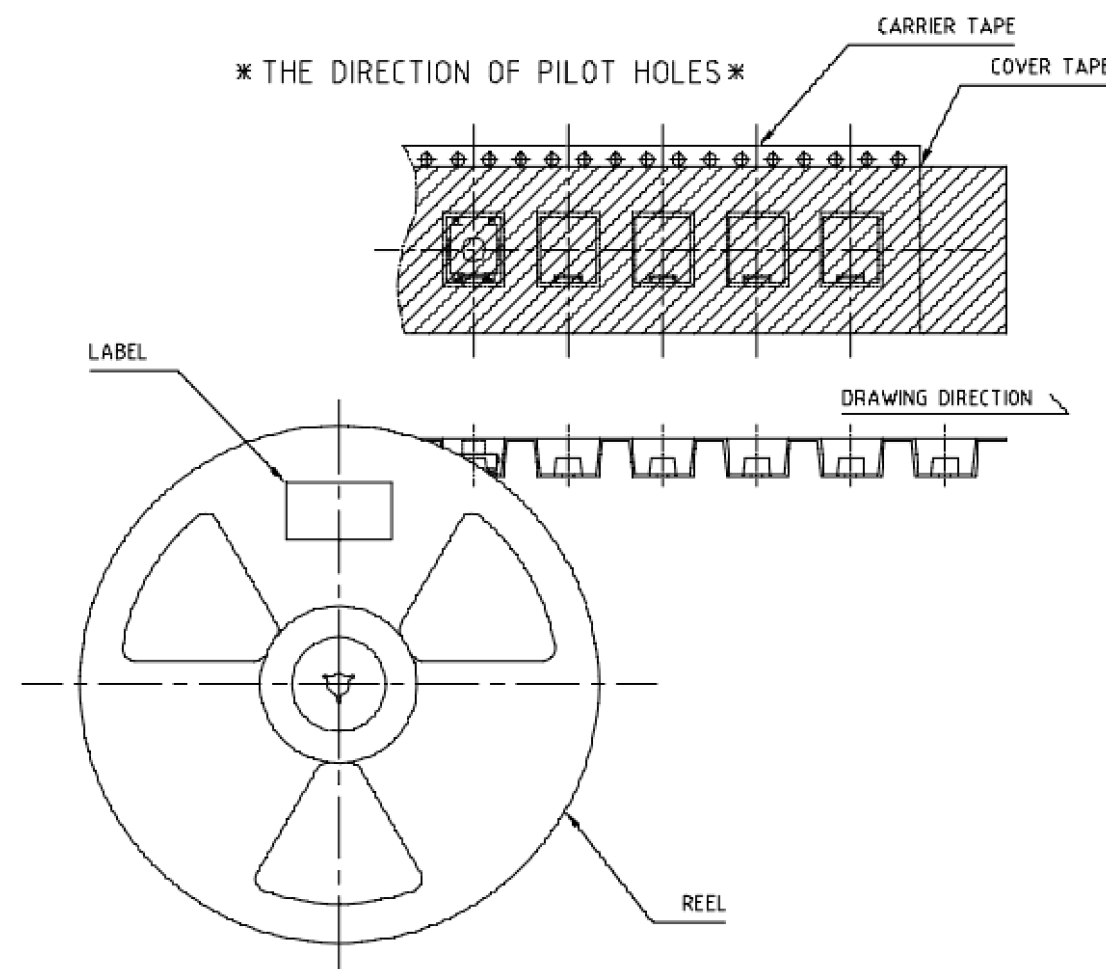
* THE DIMENSION OF CARRIER TAPE, COVER TAPE AND REEL *



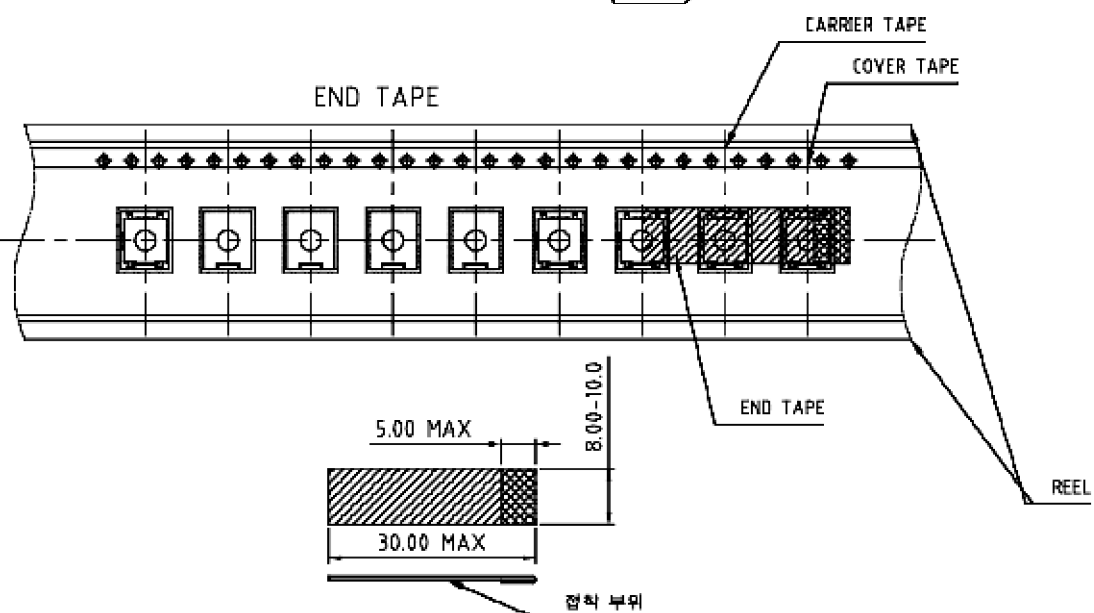
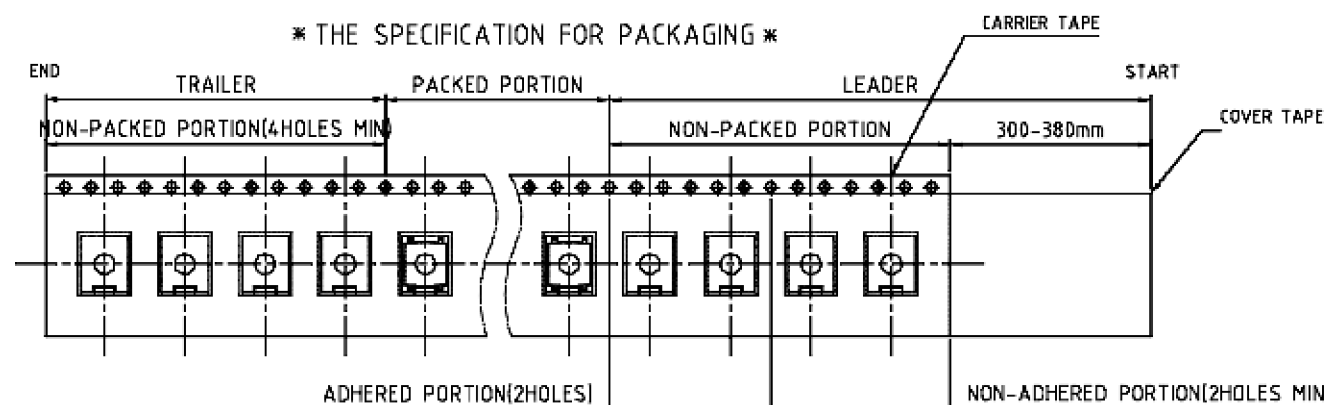
* DIMENSION

구분	치수
A0	7.00mm
B0	8.40mm
B1	7.55mm
K0	4.50mm

* THE DIRECTION OF PILOT HOLES *



* THE SPECIFICATION FOR PACKAGING *



THIS DRAWING IS A CONTROLLED DOCUMENT.

DIMENSIONS: mm	TOLERANCES UNLESS OTHERWISE SPECIFIED:
	0 PLC ± -
	1 PLC ± -
	2 PLC ± 0.30
	3 PLC ± -
	4 PLC ± -
ANGLES	± -
MATERIAL	FINISH
-	-

DWN	M.BINNER	24JAN08
CHK	M.SARVER	24JAN08
APVD	M.SARVER	24JAN08
PRODUCT SPEC	-	
APPLICATION SPEC	-	
WEIGHT	-	
CUSTOMER DRAWING		



TACTILE SWITCH 6X6mm
LOW PROFILE,
SURFACE MOUNT

NAME	SIZE	CAGE CODE	DRAWING NO	RESTRICTED TO
	A3	00779	C-1977264	-
SCALE	SHEET	REV		
6:1	2 OF 2	A2		