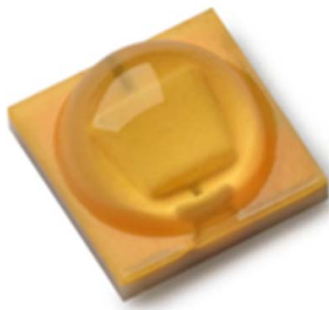




LUXEON Q

Standard ceramic 3535 footprint delivering high efficacy at high-drive current



LUXEON Q delivers superior performance in a high-power LED that serves as a drop-in replacement for products that use the standard 3535 surface mount package. LUXEON Q is the first high-power LED based on the Lumileds FlipChip Technology, chip-scale package (CSP) device architecture. LUXEON Q takes advantage of a fully developed ecosystem for 3535 components, including optics, to speed the time-to-market for indoor and outdoor luminaires.

FEATURES AND BENEFITS

- Industry standard 3535 package for optimization with existing designs
- Lumileds FlipChip Technology for industry leading performance
- High efficacy at high drive current enables high lumen and lm/\$ at high lm/W
- 3-step MacAdam ellipse color definition: *Freedom from Binning* for color consistency
- UL-recognized component [E352519]

PRIMARY APPLICATIONS

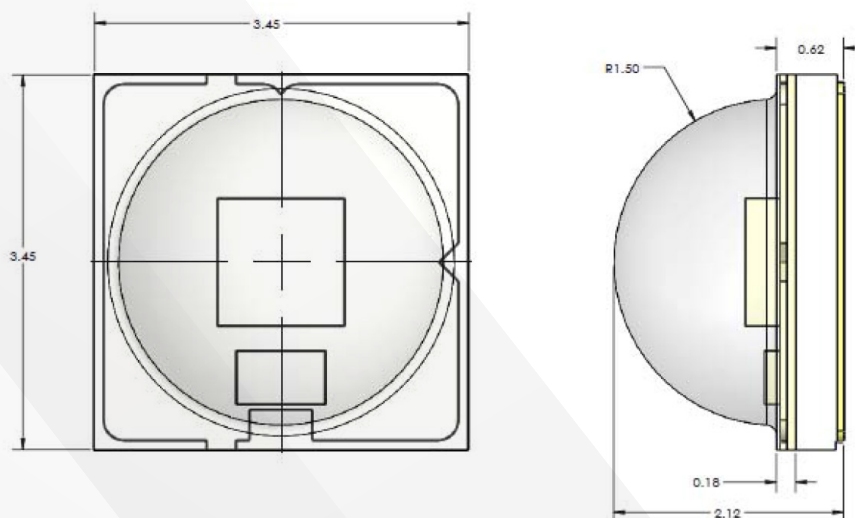
- Downlights
- High Bay & Low Bay
- Lamps
- Outdoor
- Spotlights

LUXEON Q product performance at 350mA and 700mA, T_j=85°C.

NOMINAL CCT ^[1]	MINIMUM CRI ^[2]	LUMINOUS FLUX ^[3] (lm)		TYPICAL LUMINOUS EFFICACY (lm/W)	TYPICAL LUMINOUS FLUX (lm)	TYPICAL LUMINOUS EFFICACY (lm/W)	PART NUMBER
		MINIMUM	TYPICAL				
		350mA			700mA		
2700K	80	80	113	115	199	97	L1Q0-278000000zzz0
3000K	80	90	115	117	204	99	L1Q0-308000000zzz0
3500K	80	90	117	119	209	102	L1Q0-358000000zzz0
4000K	70	110	132	134	236	115	L1Q0-407000000zzz0
5000K	70	110	133	135	237	116	L1Q0-507000000zzz0
5700K	70	110	134	136	241	118	L1Q0-577000000zzz0

- Notes:
1. Lumileds maintains a tolerance of ±6.5% on flux measurements.
 2. Correlated color temperature is based upon mounted die on highly reflective surface at T_j=25°C.

Mechanical Dimensions.



- Notes:
1. Drawings are not scale.
 2. All dimensions are in millimeters.