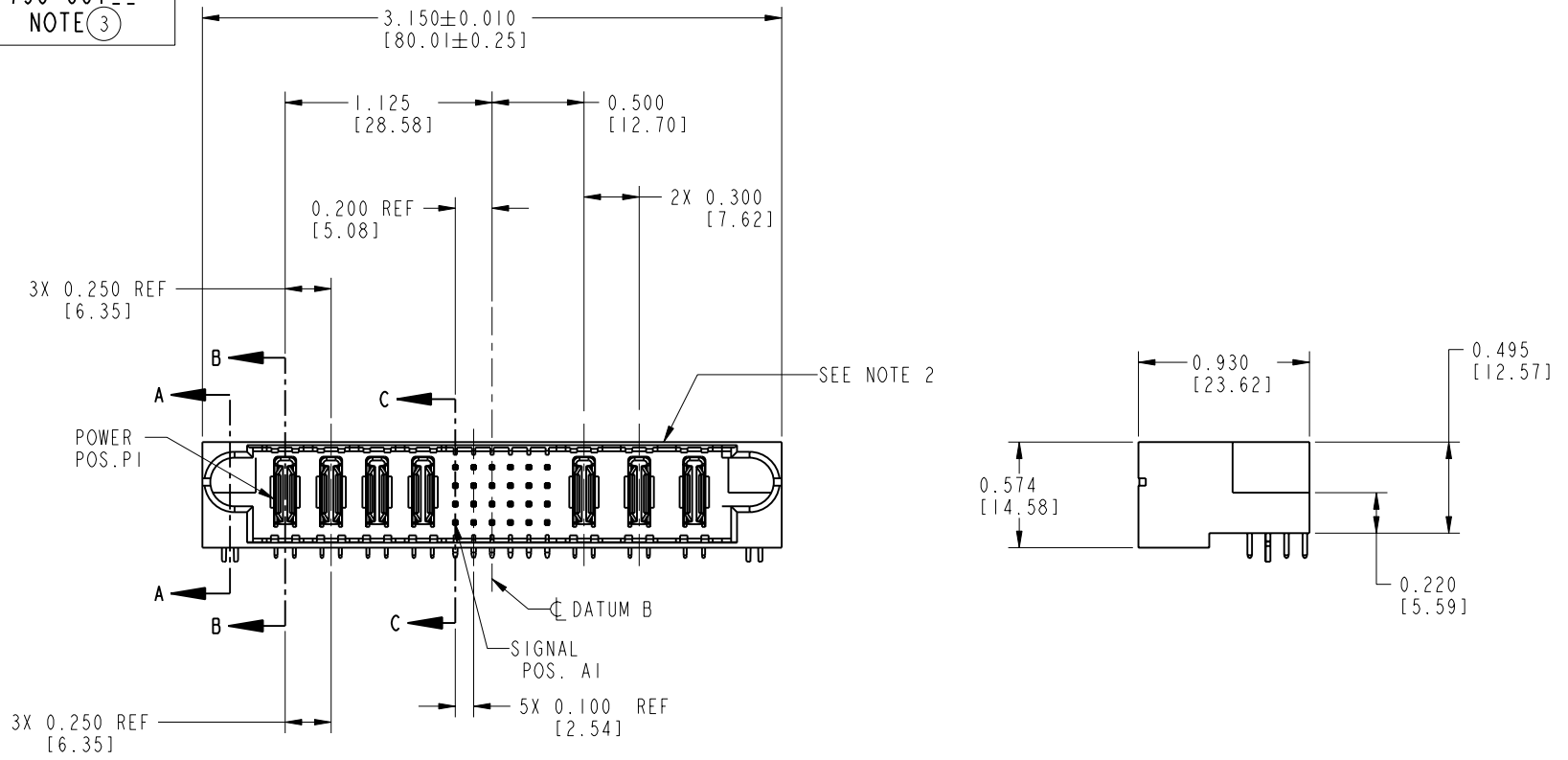


Tous droits strictement réservés. Reproduction ou communication o des liens interdite sous quelque forme que ce soit sans autorisation écrite du propriétaire. Propriete de c F.C.I. Droits de reproduction F.C.I.

All rights strictly reserved. Reproduction or issue to third parties in any form, whenever is not permitted without written authority from the proprietor. Property of F.C.I. Copyright F.C.I.

PRODUCT NUMBER
51796-001--
NOTE ③



mat'l code				tolerances unless otherwise specified		CUSTOMER COPY	FCI		www.fciconnect.com		
SEE NOTE 1											
ltr	ecn no.	dr	date	linear	.XX±.01/.X±.3	projection			title 4P + 24S + 3ACP RIGHT ANGLE SOLDER HEADER		
A	V02395	JRW	11-10-00		.XXX±.005/.XX±.13						
B	V20774	DAI	04/30/02	angles	.XXX±.0020/.XXX±.051		product family PwrBlade size dwg no A 51796		code 213 SHEET 1 OF 3		
C	V04-0882	TAB	09/01/04		0°±2°						
D	DG05-0064	SW	4/01/05	dr	E. KORFF 06-16-00	INCH / MM scale 1:1		A 51796		code 213 SHEET 1 OF 3	
E	DG05-0572	JMG	01/05/06	enrg	J. BROWN 06-16-00						
				chr	J. BROWN 06-16-00						
				appd	J. BROWN 06-16-00						
sheet index	revision sheet	E	E	E							
		1	2	3							

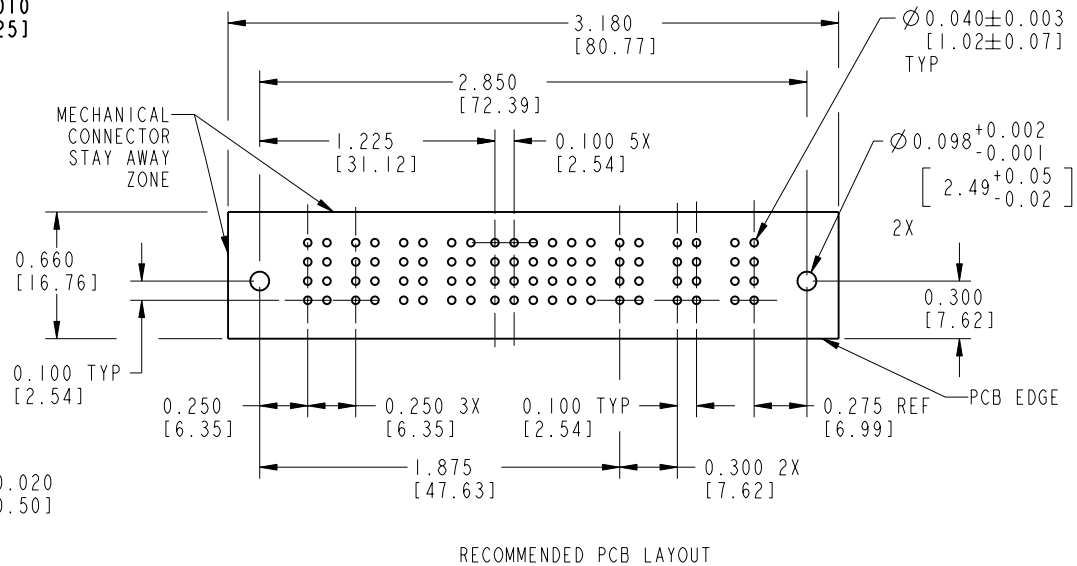
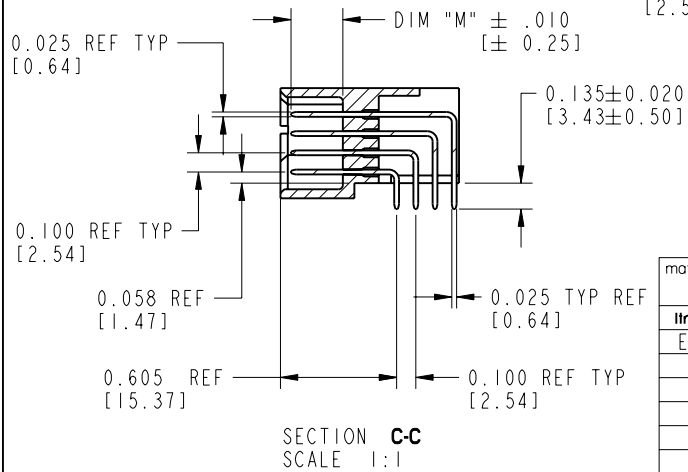
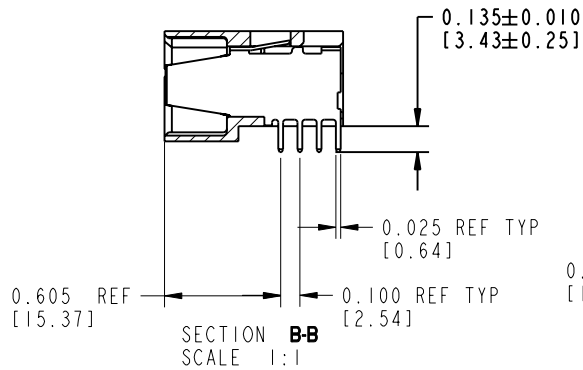
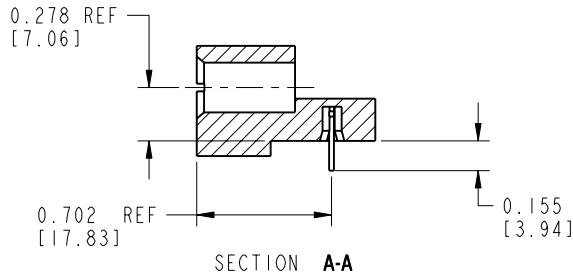
THIS FILE WAS ORIGINALLY CREATED IN THE PRO ENGINEER ENVIRONMENT AND ANY FUTURE REVISIONS TO THIS FILE MUST BE MADE IN THE PRO ENGINEER ENVIRONMENT

Tous droits strictement réservés. Reproduction ou communication o des liens interdite sous quelque forme que ce soit sans autorisation écrite du propriétaire. Propriété de c FCI. Droits de reproduction FCI.

A
FCI

All rights strictly reserved. Reproduction or issue to third parties in any form, whatever is not permitted without written authority from the proprietor. Property of FCI. Copyright FCI.

PRODUCT NUMBER
51796-001
NOTE ③



mat'l code SEE NOTE 1				tolerances unless otherwise specified		CUSTOMER COPY		www.fciconnect.com	
lfr	ecn no.	dr	date	linear	.XX±.01/.X±.3	projection	title 4P + 24S + 3ACP RIGHT ANGLE SOLDER HEADER		
E				angles	.XXX±.005/.XX±.13		product family PwrBlade code 213		
				dr	.XXXX±.0020/.XXX±.051		size dwg no 51796 SHEET 2		
				engr	0°±2°	INCH / MM	code 213		
				chr		scale 1:1	SHEET 2		
				appd			SHEET 2		
sheet index		revision sheet							

form no. 7530-001-103

code code
22526

PDM: Rev:E

STATUS: Released

Printed: Dec 20, 2010

