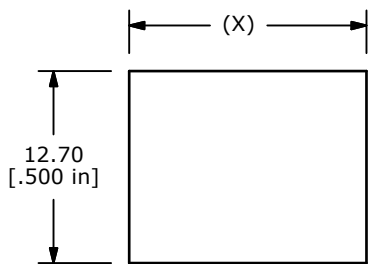


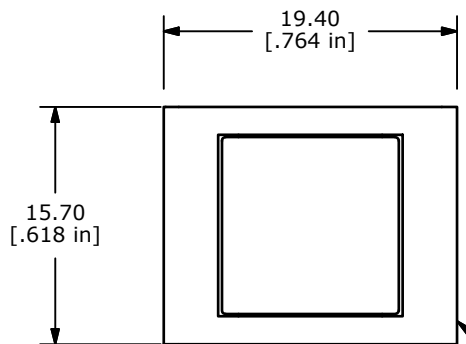
SWITCH FUNCTION	
POS. 1	POS. 2
ON	(ON)
1-3	1-2

(ON)=MOMENTARY

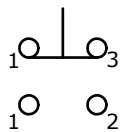
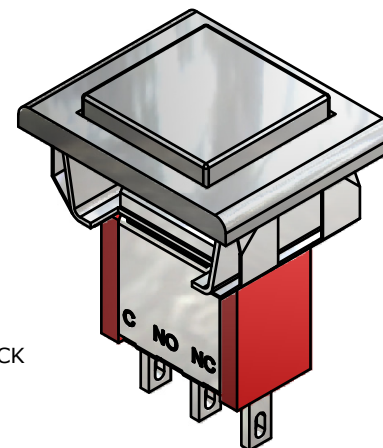


PANEL MOUNTING

PANEL THICKNESS	(X) DIM.
1.19 - 2.30	15.70
2.31 - 3.18	15.75 - 15.88



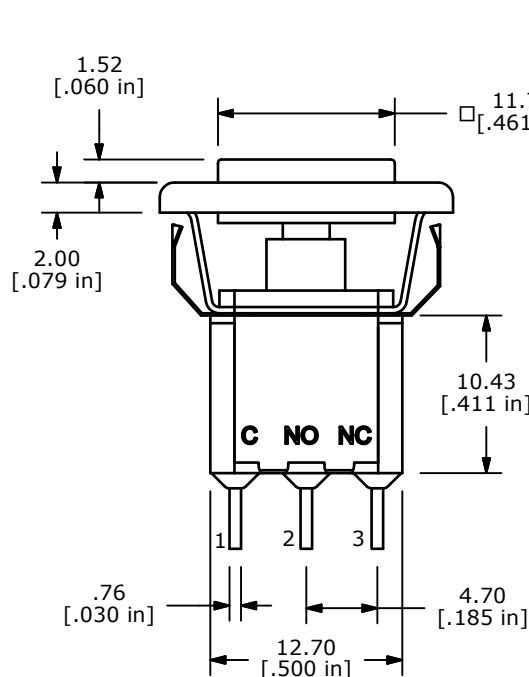
FRAME COLOR: BLACK



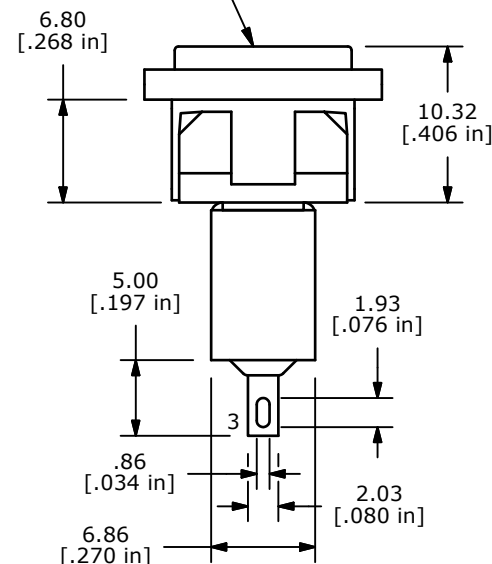
SPDT
CONTACT CONFIGURATION

NOTE:

1. ALL DIMENSIONS IN MM [INCH]
2. GENERAL TOLERANCE: X.X=±0.4
X.XX=±0.25
3. TERMINAL NUMBERS FOR REF ONLY
- ▲ 4. CONTACT MATERIAL: SILVER PLATED COPPER ALLOY
5. RATING: 1A @ 250VAC
3A @ 120VAC OR 28VDC
6. ELECTRIC LIFE: 50,000 MAKE-AND-BREAK CYCLES AT FULL LOAD
7. INSULATION RESISTANCE: 1,000 MEGA-OHM MIN.
8. ACUATION FORCE: 300 ± 100gf
- ▲ 9. TRAVEL: 1.0 ± 0.2mm
10. CONTACT RESISTANCE: 20 mOHM MAX.
TYPICAL @ 2-4 VDC
11. DIELECTRIC STRENGTH: 1,000 V RMS @ SEA LEVEL.
12. OPERATING TEMP.: -30°C to 85°C
13. ▲ DENOTES CRITICAL PARAMETER.
14. 2002/95/EC (ROHS) COMPLIANT.



CAP COLOR: BLACK



REV	PCR NO	DESCRIPTION	DATE	BY
B	20057	DRAWING UPDATE / CLEAN-UP	7/27/11	BGL
A	16256	RELEASED FOR PRODUCTION	7/31/06	BO

TITLE 700SP7M1QEAP2BLKBLK				
SCALE 2:1	DATE 7/31/2006	DR BO	DWG T711065	REV B

THE INFORMATION CONTAINED IN THIS DOCUMENT IS PROPRIETARY TO E-SWITCH AND IS NOT TO BE COPIED OR TRANSFERRED