


THIS COPY IS PROVIDED ON A RESTRICTED BASIS AND IS NOT TO BE USED IN ANY WAY DETRIMENTAL TO THE INTERESTS OF PANDUIT CORP.

PART NUMBER	LENGTH (MINIMUM)	PACKAGE TYPE	 WEIGHT
FG5**5.0-A	5 FEET	LENGTH	.456 lb/ft [.69 g/mm]
FG5**25.0-A	25 FEET	COIL	.456 lb/ft [.69 g/mm]





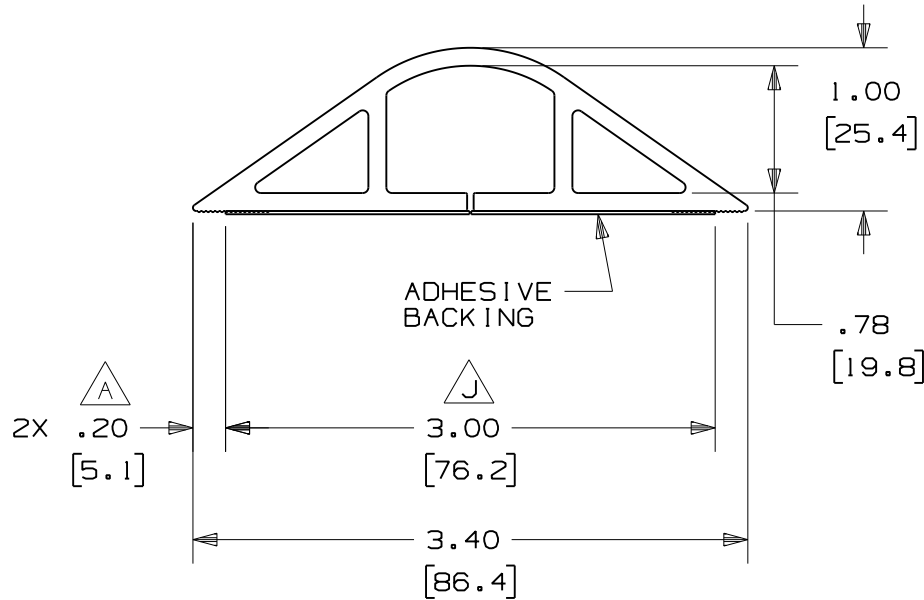










NOTES:

- SEE CURRENT CATALOG FOR ADDITIONAL PART NUMBER SUFFIXES TO INDICATE COLOR AND/OR PACKAGE QUANTITY.
- DIMENSIONS IN PARENTHESIS ARE IN METRIC.
- NOMINAL WALL THICKNESS IS .12 [3.0]
- TO APPLY PART:
 - CUT FLOORGUARD TO DESIRED LENGTH.
 - INSERT WIRES INTO FLOORGUARD.
 - APPLY TAPE TO FLOORGUARD. (TAPE IS TO BE CENTRALLY LOCATED ON THE FLOORGUARD AS SHOWN ON THE DRAWING)
 - REMOVE RELEASE LINER FROM TAPE AND PLACE FLOORGUARD ON A CLEAN, DRY SURFACE.
 - APPLY PRESSURE TO ENTIRE LENGTH OF FLOORGUARD TO OBTAIN MAXIMUM ADHESION.
- NO WARRANTY, EXPRESSED OR IMPLIED, IS MADE BY PANDUIT WITH RESPECT TO ADHESIVE BOND PERFORMANCE. AMONG OTHER THINGS, THE CONDITIONS UNDER WHICH THESE PRODUCTS MAY BE APPLIED AND/OR THE SURFACE TO WHICH THEY MAY BE APPLIED ARE BEYOND PANDUIT'S CONTROL.



CAD FILENAME/LAYERS D39735BA_DC_FG5/07B

-	-----	---	---	K. [.XX] TOLERANCE WAS .05 [1.3]	-----	---	---			 CORP. TINLEY PARK, ILLINOIS
-	-----	---	---	J. ADDED TAPE WIDTH DIMENSION I. SCALE WAS FULL	-----	---	---			
3	12.30.10	BDK	JBN	H. COMBINED AND MODIFIED NOTES G. REVISED PART NUMBERS AND LENGTH	39735-02	PATR	RTF1			FLOORGUARD (FG5) CUSTOMER DRAWING
-	-----	---	---	RELEASED TO PRODUCTION	-----	---	---			
-	-----	---	---	F. REVISED PART GEOMETRY E. REVISED PART WEIGHT	-----	---	---			UNLESS OTHERWISE SPECIFIED, DIMENSIONAL TOLERANCES ARE:
2	04-28-09	BDK	JBN	D. REVISED LENGTH: 25 FOOT WAS 50 FOOT C. REVISED PART NUMBER (DROP "S")	39735-02	JBN	RTF1			[.X] ± (.XXX) ±  [.XX] ± .03 [.8] ANGLES ± 1°
1	06-25-08	BDK	PM	B. REVISED UNIT NOTATION AND NOTE 2 A. REVISED TAPE WIDTH						DRAWN BY BDK DATE 3-17-08 CHECK'D PM
R	3-17-08	BDK	PM	DRAWING RELEASED						MAT'L: FLEXIBLE VINYL SCALE NONE 
REV	DATE	BY	CHK	DESCRIPTION	ECN	CHK	CUST	SUP		DRAWING NO. 39735-02 DWG SIZE A